

NOTICE

The information contained is for **DEALER REFERENCE PURPOSES ONLY**.
MANUALS ARE MODEL AND SERIAL NUMBER SPECIFIC.

If additional printed manuals are required for your shop/office location, order by part number through the factory's Parts Center.

If a retail customer needs replacement manual(s) for a specific unit, contact the factory's Customer Data Center at: 800-829-0051 or
customerdata@vermeermfg.com

This page intentionally left blank.

Vermeer

D-7/11 Navigator



Parts Manual

PMOC95-1
ORDER NO. 105400-L41

INTRODUCTION

HOW TO USE THE MANUAL

This manual contains illustrations and parts lists of components and assemblies which make up the machine. Each page consists of the name of the assembly or component, a figure number, reference numbers, part numbers, part names, and the quantities of the parts used.

Assembly or component name helps identify the illustration and parts list for each figure. This name also helps locate the general area of the machine where the assembly or component can be located.

Figure numbers are used to identify each assembly or component and to group these assemblies or components into major categories.

Reference numbers shown in a column refers to the numbered parts in the illustration. This ties the part in the illustration to the part number and description in the parts list.

EN-QM-0222-AP92

Part numbers are used to identify individual parts or part assemblies.

Part descriptions provide the name of the part, plus additional information such as dimensional specifications and what parts are grouped together to form part assemblies, which helps you identify the part(s).

Quantities listed for each figure are only for that assembly or component and not the total used per machine.

Parts are listed by part number in numerical order in the back portion of the manual. After each part number is a list of references where the part is used in the manual.

This parts manual is not intended to be a complete guide for machine service or repairs. Contact your Vermeer dealer for any of your service or technical requirements.

ORDERING PARTS

Parts for repair or replacement are available through our network of authorized dealers located throughout the world.

Use only authorized Vermeer parts for repair or replacement. Always give the serial number

EN-QM-0223-AP92

and model number of the machine for which parts are being ordered. When ordering parts for component(s), which are not manufactured by Vermeer Manufacturing, also give the serial number of that component(s). Order all parts by part number, part name, and quantity needed.

UPDATING AND REORDERING MANUALS

The parts lists, illustrations, and specifications in this manual are based on the latest information available at time of publication. Your machine may have product improvements and options not yet contained in this manual.

Vermeer Manufacturing Company reserves the right to make changes at any time without notice or obligation to you.

EN-QM 0224-AP92

Your dealer will receive notice of these changes and can assist you with accurate parts identification when ordering.

A copy of this manual is supplied with each machine. Additional copies are available through your dealer. When ordering additional manuals, use the reorder number listed on the front cover and the quantity needed.

Copyright 1995
Vermeer Manufacturing Company
Box 200, New Sharon Road
Pella, Iowa 50219-0200

EN-QM-5299-JA95

Revised November 1996 due to addition &
update to table of contents. Changed/added
figures marked with *.

PARTS LISTS TABLE OF CONTENTS

FRAME ASSEMBLIES - SECTION 1

| | |
|---|-----------|
| Control Arm Assembly (Fig. "1-7") | Page 1-7 |
| *Decal Assembly (Domestic) (Fig. "1-1") | Page 1-1 |
| *Decal Assembly (International) (Fig. "1-20") | Page 1-20 |
| Drill Rod Box Assembly (Fig. "1-16") | Page 1-16 |
| Drive Chuck Assembly (Fig. "1-10") | Page 1-10 |
| Drive Head Assembly (Fig. "1-9") | Page 1-9 |
| Fuel Tank Assembly (Fig. "1-8") | Page 1-8 |
| Hose Arm Assembly (Fig. "1-5") | Page 1-15 |
| Literature Box Assembly (Fig. "1-18") | Page 1-18 |
| Main Frame Assembly (Fig. "1-2") | Page 1-2 |
| Outrigger Assembly (Fig. "1-17") | Page 1-17 |
| Pointer Assembly (Fig. "1-19") | Page 1-19 |
| Roller Assembly (Cylinder) (Fig. "1-13") | Page 1-13 |
| Roller Assembly (Front) (Fig. "1-12") | Page 1-12 |
| Roller Assembly (Rear) (Fig. "1-11") | Page 1-11 |
| Seat Assembly (Fig. "1-14") | Page 1-14 |
| Track Assembly - Rubber (Fig. "1-5") | Page 1-5 |
| Track Assembly - Steel (Fig. "1-4") | Page 1-4 |
| Track Chain Tightener Assembly (Fig. "1-6") | Page 1-6 |
| Track Frame Assembly (Fig. "1-3") | Page 1-3 |

HYDRAULIC ASSEMBLIES - SECTION 2

| | |
|---|-----------|
| Control Valve Assembly (Ground Drive) (Fig. "2-4") | Page 2-4 |
| Control Valve Assembly (Thrust/Pullback/Rotation) (Fig. "2-5") | Page 2-5 |
| Control Valve Components (Fig. "2-20") | Page 2-20 |
| Control Valve Components (Fig. "2-21") | Page 2-21 |
| Crossover Relief Valve Components (Fig. "2-30") | Page 2-28 |
| Crossover Relief Valve Assembly (Fig. "2-7") | Page 2-7 |
| Flow Control Valve Components (Fig. "2-27") | Page 2-25 |
| Flow Control Valve Assembly (Fig. "2-8") | Page 2-8 |
| Flow Control Valve Assembly (Fig. "2-9") | Page 2-9 |
| Flow Divider Components - Fixed (Fig. "2-28") | Page 2-26 |
| Gear Pump Assembly (Fig. "2-10") | Page 2-10 |
| Hydraulic Components Location Diagram (Ground Drive) (Fig. "2-2") | Page 2-2 |
| Hydraulic Components Location Diagram (Thrust/Pullback/Rotation) (Fig. "2-1") | Page 2-1 |
| Hydraulic Cylinder Components - 3" x 14" (Fig. "2-36") | Page 2-34 |
| Hydraulic Cylinder Components - 3" x 42" (Fig. "2-37") | Page 2-35 |
| Hydraulic Cylinder Components (2 1/2" x 24") (Fig. "2-35") | Page 2-33 |
| Hydraulic Motor Components (Fig. "2-32") | Page 2-30 |
| Hydraulic Motor Components (Fig. "2-33") | Page 2-31 |
| Hydraulic Motor Components (Fig. "2-34") | Page 2-32 |
| Hydraulic Oil Tank Assembly (Fig. "2-3") | Page 2-3 |
| Hydraulic Pump Components (Fig. "2-31") | Page 2-29 |
| Lo (Lockout) Pilot Check Components (Fig. "2-26") | Page 2-24 |
| Load Check Plug Components (Fig. "2-22") | Page 2-22 |
| Lock Valve Components (Fig. "2-38") | Page 2-36 |
| No Relief Plug Components (Fig. "2-24") | Page 2-23 |
| Oil Cooler Assembly (Fig. "2-18") | Page 2-18 |

PARTS LISTS TABLE OF CONTENTS (CONT.)

Revised November 1996 due to additions
& updates to table of contents.

Changed/added figures marked with *. **HYDRAULIC ASSEMBLIES - SECTION 2 (CONT.)**

| | |
|--|-----------|
| Oil Filter Assembly (Fig. "2-19") | Page 2-19 |
| Outrigger Cylinder Assembly (Fig. "2-17") | Page 2-17 |
| Rotation Motor Assembly (Fig. "2-13") | Page 2-13 |
| Solenoid Valve Assembly (Fig. "2-6") | Page 2-6 |
| Solenoid Valve Components (Fig. "2-29") | Page 2-27 |
| Standard Spool Positioner Components (Fig. "2-23") | Page 2-22 |
| Thrust/Pullback Cylinder Assembly (Fig. "2-15") | Page 2-15 |
| Track Drive Motor Assembly (Left) (Fig. "2-11") | Page 2-11 |
| Track Drive Motor Assembly (Right) (Fig. "2-12") | Page 2-12 |
| Track Extension Cylinder Assembly (Fig. "2-16") | Page 2-16 |
| Water Pump Motor Assembly (Fig. "2-14") | Page 2-14 |
| WH Main Relief Components (Fig. "2-25") | Page 2-23 |

ENGINE/ACCESSORIES ASSEMBLIES - SECTION 3

| | |
|---|-----------|
| Air Cleaner Assembly (Fig. "3-6") | Page 3-6 |
| Air Cleaner Components (Fig. "3-10") | Page 3-10 |
| Battery Assembly (Fig. "3-9") | Page 3-9 |
| Bell Housing & Coupling Components (Fig. "3-4") | Page 3-4 |
| Coolant Overflow Bottle Assembly (Fig. "3-7") | Page 3-7 |
| Engine Compartment Assembly (Fig. "3-1") | Page 3-1 |
| Engine Components (Fig. "3-2") | Page 3-2 |
| Engine Components (Fig. "3-3") | Page 3-3 |
| Muffler Assembly (Fig. "3-8") | Page 3-8 |

CONTROL/ELECTRICAL ASSEMBLIES - SECTION 4

| | |
|--|----------|
| Control Handle Components (Fig. "4-5") | Page 4-6 |
| Control Panel Assembly (Fig. "4-1") | Page 4-1 |
| Control Valve Handle Assembly (Fig. "4-5") | Page 4-5 |
| Rotation Control Lever Assembly (Fig. "4-2") | Page 4-2 |
| Safety Bar Assembly (Fig. "4-3") | Page 4-3 |
| Throttle Lever Assembly (Fig. "4-4") | Page 4-4 |

LOCATION PACKAGE ASSEMBLIES - SECTION 5

| | |
|---|----------|
| *Data Logger, Mark II - Digitrak (Fig. "5-7") | Page 5-7 |
| *Location Package, Mark III - Digitrak - Domestic & International (Fig. "5-4") | Page 5-4 |
| *Location Package, Mark III - Digitrak (w/ Remote Display) - Domestic (Fig. "5-5") | Page 5-5 |
| *Location Package, Mark III - Digitrak (w/ Remote Display) - International (Fig. "5-6") | Page 5-6 |
| *Location Package, Spot D Tek Mole Mapping System (Fig. "5-3") | Page 5-3 |
| *Location Package, Spot D Tek II.2 Utility (Fig. "5-1") | Page 5-1 |
| *Location Package, Spot D Tek II.2 III & IIIA (Fig. "5-2") | Page 5-2 |

GROUND SYSTEM/SAFETY ASSEMBLIES - SECTION 6

| | |
|---|----------|
| Ground Stake Assembly - T-Handle (Fig. "6-1") | Page 6-1 |
| Safety Features - Gloves, Boots, Cones (Fig. "6-3") | Page 6-3 |
| Voltage Stake Assembly (Fig. "6-2") | Page 6-2 |

Revised November 1996 due to addition of section 10 to table of contents. Added figures marked with *.

PARTS LISTS TABLE OF CONTENTS (CONT.)

WATER/DRILL FLUID ASSEMBLIES - SECTION 7

| | |
|--|----------|
| Drill Fluid (Fig. "7-4") | Page 7-4 |
| Relief Valve Components (Fig. "7-5") | Page 7-5 |
| Wand Assembly (Fig. "7-3") | Page 7-3 |
| Water Pump Assembly (Fig. "7-2") | Page 7-2 |
| Water Pump Components (Fluid End) (Fig. "7-7") | Page 7-7 |
| Water Pump Components (Power End) (Fig. "7-6") | Page 7-6 |
| Water Tank Assembly (Fig. "7-1") | Page 7-1 |

PIPE VISE ASSEMBLIES - SECTION 8

| | |
|--|-----------|
| Clamp Assembly (Fig. "8-2") | Page 8-2 |
| Hydraulic Component Location Diagram (Pipe Clamp) (Fig. "8-1") | Page 8-1 |
| Hydraulic Cylinder Components - 1 1/2" x 6 1/2" (Fig. "8-8") | Page 8-8 |
| Hydraulic Cylinder Components - 2" x 2 1/2" (Fig. "8-10") | Page 8-10 |
| Hydraulic Cylinder Components - 2" x 5" (Fig. "8-9") | Page 8-9 |
| Lower Pipe Clamp Cylinder Assembly (Fig. "8-6") | Page 8-6 |
| Rotation Cylinder Assembly (Fig. "8-5") | Page 8-5 |
| Sequence Valve Assembly Fig. "8-3") | Page 8-3 |
| Sequence Valve Components (Fig. "8-7") | Page 8-7 |
| Upper Pipe Clamp Cylinder Assembly (Fig. "8-4") | Page 8-4 |

POWER STAKE DOWN ASSEMBLIES - SECTION 9

| | |
|--|----------|
| Deluxe Power Stake Down Assembly (Fig. "9-1") | Page 9-1 |
| Hydraulic Cylinder Components - 1 1/2" x 8" (Fig. "9-5") | Page 9-5 |
| Hydraulic Motor Components (Fig. "9-3") | Page 9-3 |
| Selector Valve Assembly (Fig. "9-2") | Page 9-2 |
| Selector Valve Components (Fig. "9-4") | Page 9-4 |
| Stake Assembly (Fig. "9-6") | Page 9-6 |

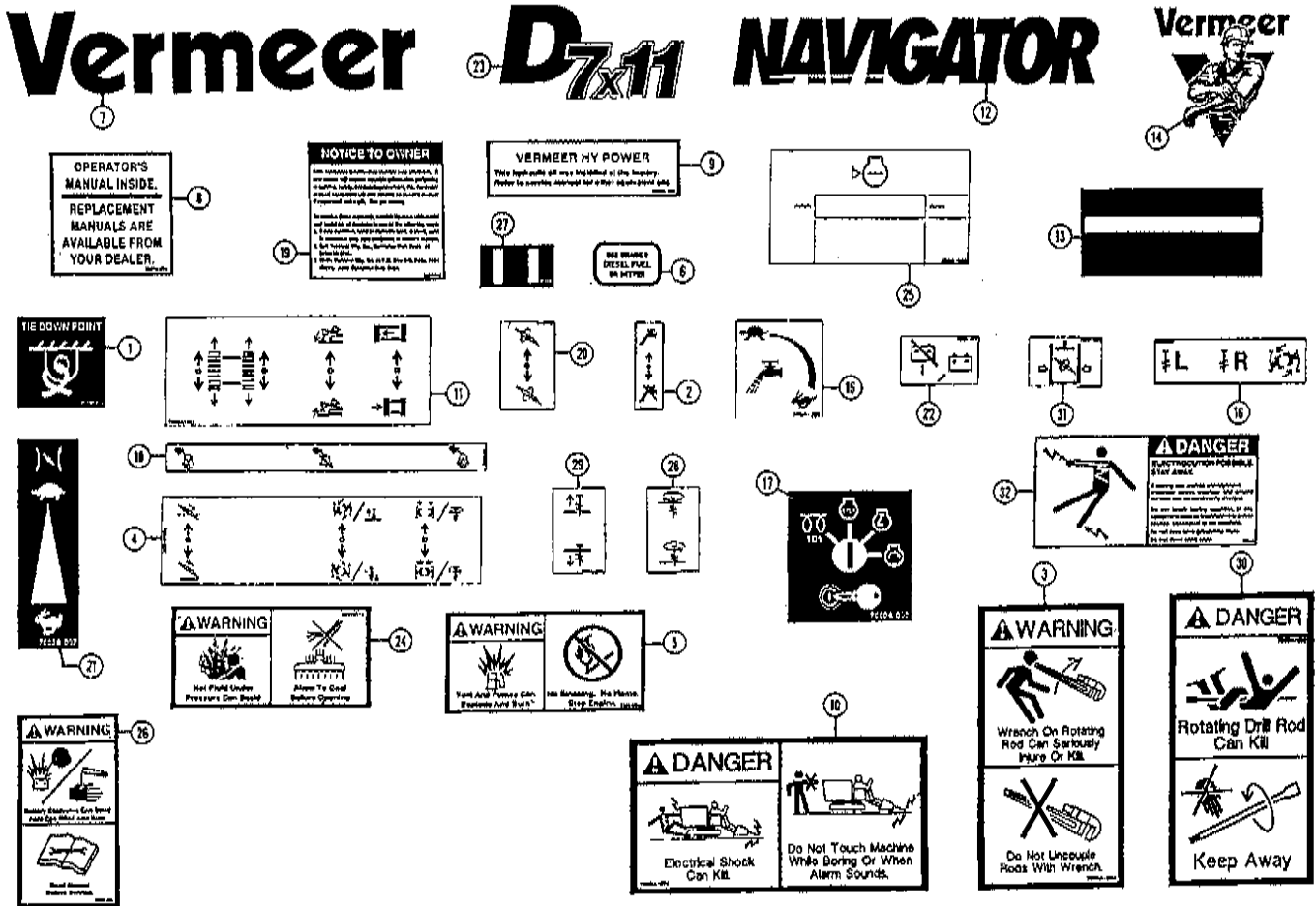
STATIONARY STAKE DOWN ASSEMBLIES - SECTION 10

| | |
|---|-----------|
| *Hydraulic Components Location Diagram (Fig. "10-1") | Page 10-1 |
| *Hydraulic Cylinder Components - 1 1/2" x 24" (Fig. "10-5") | Page 10-5 |
| *Hydraulic Motor Components (Fig. "10-4") | Page 10-4 |
| *Selector Valve Components (Fig. "10-6") | Page 10-6 |
| *Stationary Stakedown Assembly (Fig. "10-2") | Page 10-2 |
| *Stationary Stakedown Selector Valve Assembly (Fig. "10-3") | Page 10-3 |

DECAL ASSEMBLY (DOMESTIC)

Figure 1-1

Revised November 1996 due to update of decal assembly.

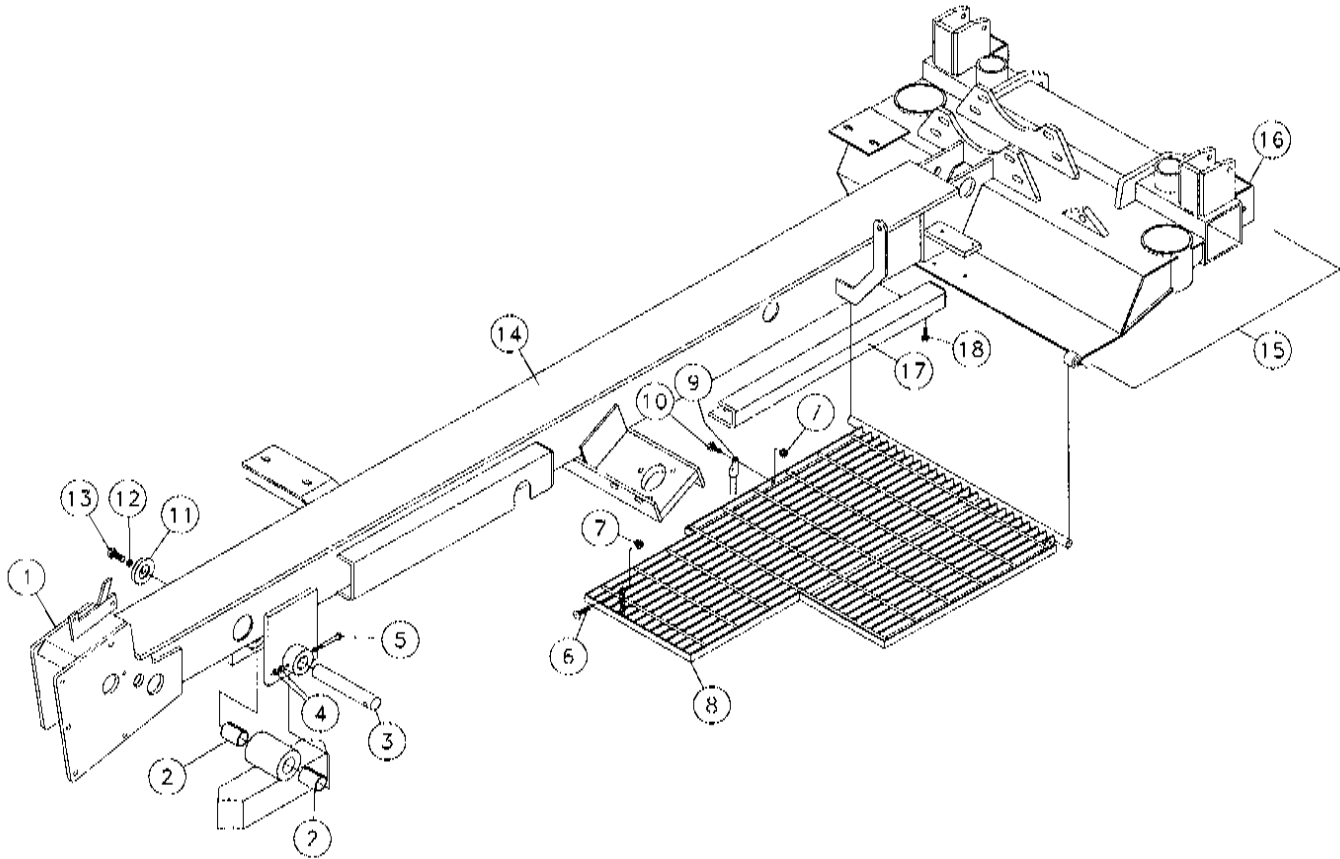


| REF. NO. | PART. NO. | DESCRIPTION | QTY. | REF. NO. | PART. NO. | DESCRIPTION | QTY. |
|----------|-----------|-------------------------------|-------|----------|-----------|-------------|---|
| 1-1 | 1 | 70000-834 | 4 | 1-1 | 18 | 7000A-061 | DECAL-CONTROLS |
| 1-1 | 2 | 7000A-034 | 2 | 1-1 | 19 | 2326-940 | DECAL-NOTICE TO OWNERS |
| 1-1 | 3 | 7000A-394 | 1 | 1-1 | 20 | 7000A-036 | DECAL-CONTROLS |
| 1-1 | 4 | 7000A-556 | 1 | 1-1 | 21 | 7000A-087 | DECAL-THROTTLE (UNDERGROUND) |
| 1-1 | 5 | 2326-324 | 1 | 1-1 | 22 | 700IA-477 | DECAL BATTERY SWITCH (UG) |
| 1-1 | 6 | 70000-098 | 1 | 1-1 | 23 | 7000A-405 | DECAL - MODEL D7X11 |
| 1-1 | 7 | 2326-619 | 1 | 1-1 | 24 | 2326-315 | DECAL-WARNING |
| 1-1 | 8 | 70000-294 | 1 | 1-1 | 25 | 2326-920 | DECAL-COOLANT BOTTLE LEVEL |
| 1-1 | 9 | 70000-394 | 1 | 1-1 | 26 | 70000-044 | DECAL-WARNING(AT/UND) |
| 1-1 | 10 | 7000A-576 | 1 | 1-1 | 27 | 2326-142 | DECAL-INDICATOR |
| 1-1 | 11 | 7000A-014 | 1 | 1-1 | 28 | 700IA-306 | DECAL-STAKE DRIVER ROTAT.(UND) |
| 1-1 | 12 | 7000A-010 | 2 | 1-1 | 29 | 700IA-305 | DECAL-STAKE DRIVE THRUST (UND) |
| 1-1 | 13 | 70000-774 | 7.00' | 1-1 | 30 | 7000A-393 | DECAL - DANGER |
| | | (SPECIFY LENGTH) | | 1-1 | 31 | 700IA-526 | DECAL-ROTATION PRESSURE (UG) |
| 1-1 | 14 | 70000-784 | 2 | 1-1 | 32 | 70000-530 | DECAL-DANGER |
| 1-1 | 15 | 700IA-355 | 1 | | | | |
| 1-1 | 16 | 700IA-527 | 1 | | | | |
| 1-1 | 17 | 7000A-062 | 1 | | | | |
| | | DECAL-6"VERMEER LOGO | | | | 901228-038 | DECAL ASSY-D7X11 NAV (DOMESTIC (INC. REF. 1-32) |
| | | DECAL-FILLING FLUIDSPEED(UND) | | | | | |
| | | DECAL-DRIVE ENGAGE | | | | | |
| | | DECAL-IGNITION | | | | | |

MAIN FRAME ASSEMBLY

Figure 1-2

Revised April 1996 due to change to bolt-on hose guide (Serial No. 237). Added parts marked with *.

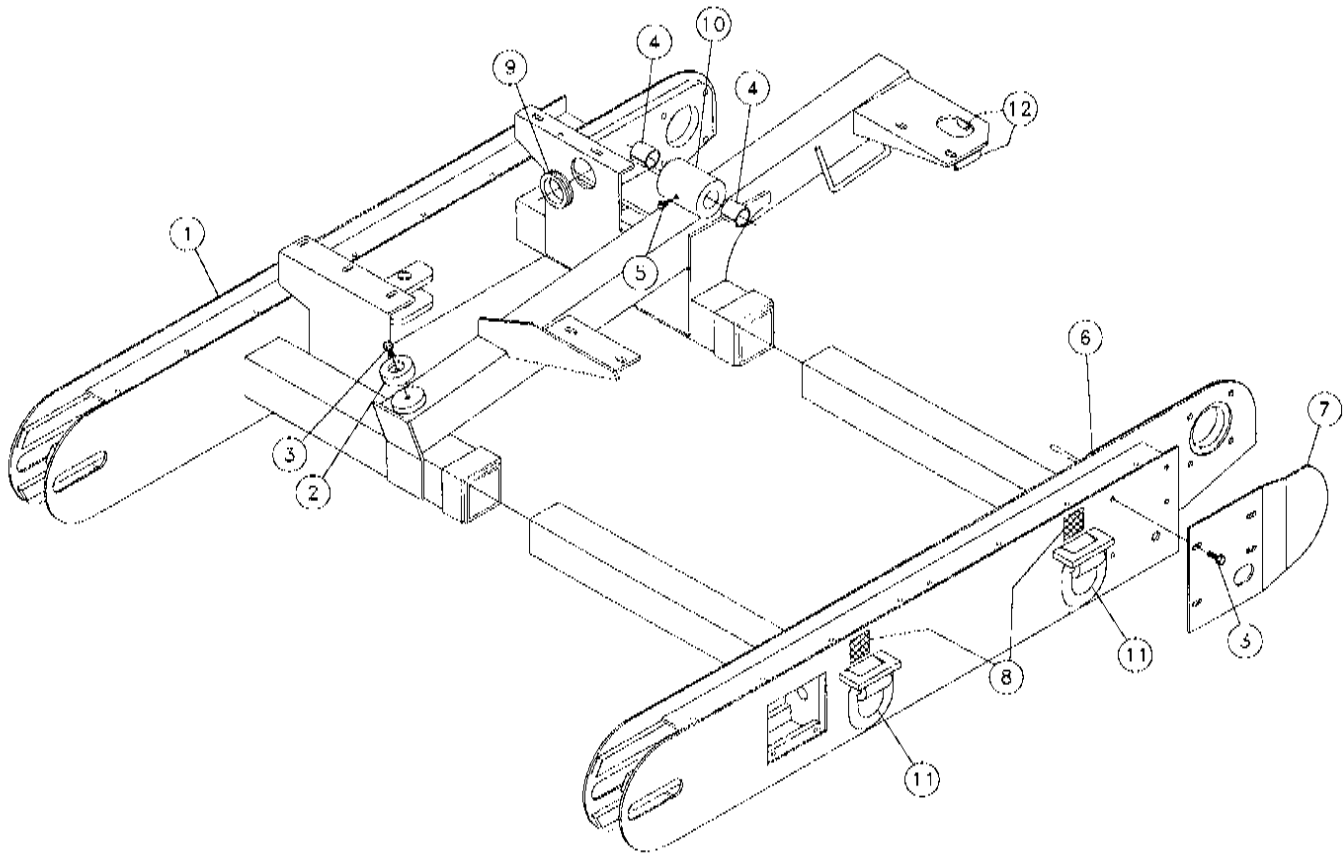


| REF. NO. | PART NO. | DESCRIPTION | QTY. |
|----------|----------|--|------|
| 1-2 | 1 | 229255-001 RACK-DRILL | 1 |
| 1-2 | 2 | 1835-027 BSHG.-STL.-1 1/2X1 1/4X1 1/2 | 2 |
| 1-2 | 3 | 222314-001 BAR-PIVOT PIN | 1 |
| 1-2 | 4 | 351-030 5/16-18X3"GRADE #5 HEX BOLT | 1 |
| 1-2 | 5 | 406-001 NUT-5/16 NC HEX | 2 |
| 1-2 | 6 | 375-012 3/8-16X1 1/4"GD#5CARRIAGE BOLT | 1 |
| 1-2 | 7 | 4536-001 NUT - 3/8-16 FLG. WHIZ LOCK | 2 |
| 1-2 | 8 | 219320-001 GRATE-FLOOR | 1 |
| 1-2 | 9 | 219380-001 STRAP-GROUND 4 GA.X12" E-E | 1 |
| 1-2 | 10 | 4475-006 BOLT-3/8-16X3/4 FLG WHIZ | 1 |
| 1-2 | 11 | 222313-001 BAR-PIVOT PIN SPACER | 1 |
| 1-2 | 12 | 480-011 WASHER-1/2 S/T LOCK | 1 |
| 1-2 | 13 | 358-012 BOLT-1/2-13 X 1 1/4 GR #5 HEX | 1 |
| 1-2 | 14 | 215664-001 PLATE-SIDE | 1 |
| 1-2 | 15 | 227231-001 BASE-RACK (WELDED) | 1 |
| 1-2 | 16 | 229281-001 TUBE-STAKE DOWN | 2 |
| 1-2 | 17 | *229422-001 GUIDE-HOSE | 1 |
| 1-2 | 18 | *4474-006 BOLT-5/16"-18X3/4" FLG WHIZ | 3 |

TRACK FRAME ASSEMBLY

Figure 1-3

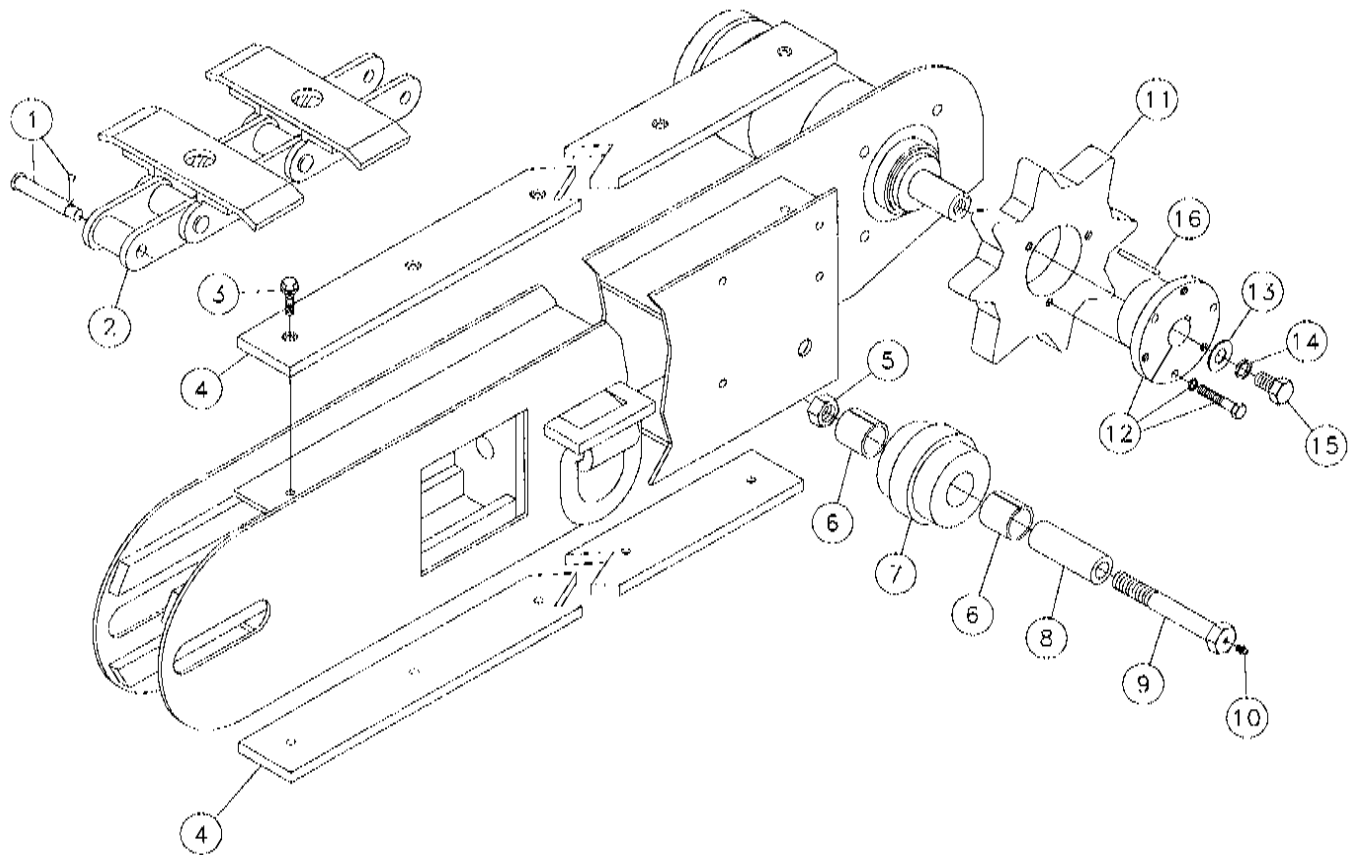
Revised November 1996 due to addition of shields to weldments. Changed parts marked with *.



| REF. NO. | PART NO. | DESCRIPTION | QTY. |
|----------|----------|--|------|
| 1-3 | 1 | *236266-003 FRAME ASSY-TRACK(RIGHT) (INC. REF. 4 & 5) | 1 |
| 1-3 | 2 | 3035-001 BUMPER 2 1/2OD X 1" HIGH RUBR | 1 |
| 1-3 | 3 | 4475-010 BOLT-3/8-16X1 FLANGE WHIZ | 9 |
| 1-3 | 4 | 1835-027 BSHG.-STL.-1 1/2X1 1/4X1 1/2 | 2 |
| 1-3 | 5 | 590-001 ZERK-1/8" NPT 90 DEG GREASE | 1 |
| 1-3 | 6 | *236265-001 FRAME-LEFT TRACK SHIELD | 1 |
| 1-3 | 7 | 216573-001 GUARD-ROCK (LEFT) (SHOWN) | 1 |
| | | 216573-002 GUARD-ROCK (RIGHT) | 1 |
| 1-3 | 8 | 70000-834 DECAL-TIE DOWN POINT | 4 |
| 1-3 | 9 | 1865-001 GROMMET - 1/4 X 2 1/2 (YELLOW) | 1 |
| 1-3 | 10 | 215689-001 TUBE-PIVOT (WELDED) | 1 |
| 1-3 | 11 | 219136-001 D RING B40(FORGED) | 4 |
| 1-3 | 12 | 212522-001 TRIM-1/4" EDGE (SPECIFY LENGTH) | A/R |

TRACK ASSEMBLY - STEEL

Figure 1-4

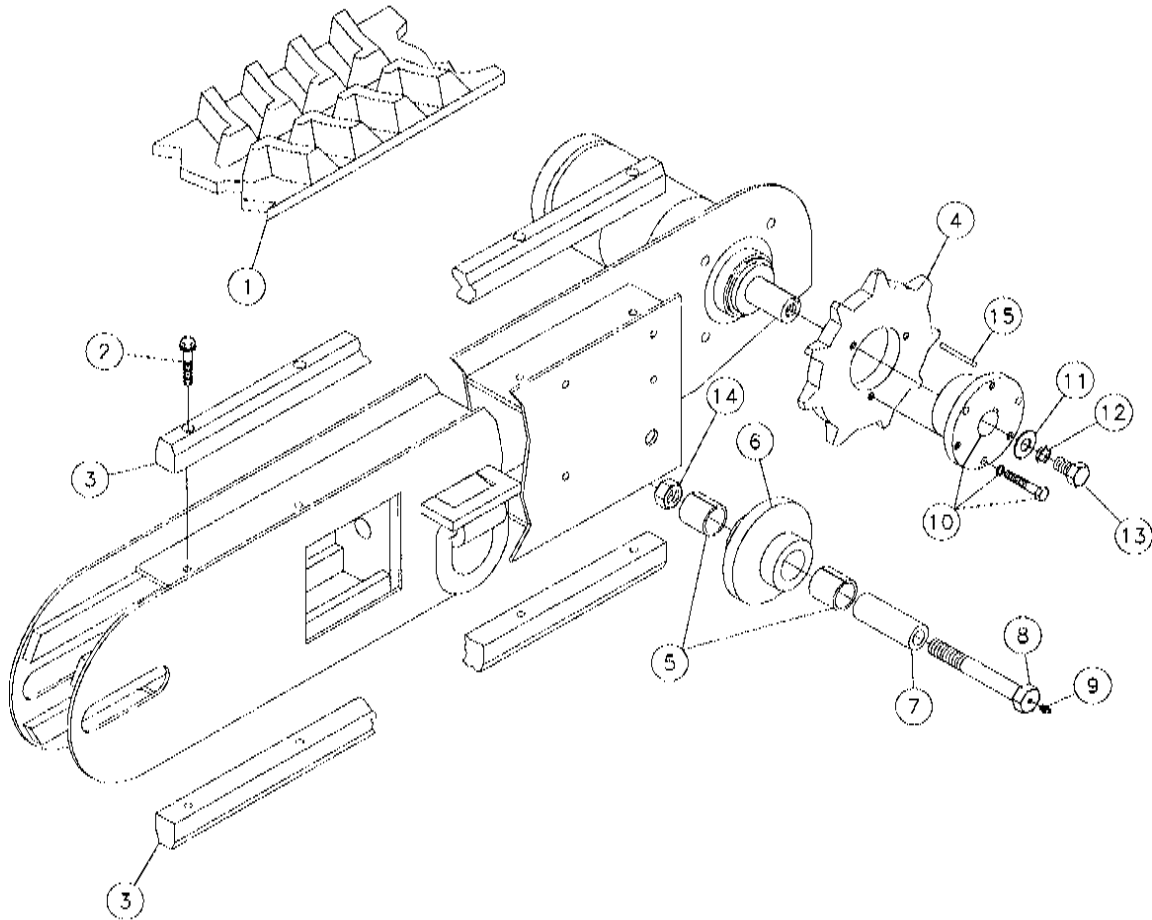


| <u>REF. NO.</u> | <u>PART NO.</u> | <u>DESCRIPTION</u> | <u>QTY.</u> |
|-----------------|-----------------|--|-------------|
| 1-4 | 1 | 10816-001 PIN W/COTTER-SS1957 CHAIN | 1 |
| 1-4 | 2 | 213634-001 TRACK-CHAIN | 2 |
| 1-4 | 3 | 4475-010 BOLT-3/8-16X1 FLANGE WHIZ | 32 |
| 1-4 | 4 | 219397-001 BAR-WEAR | 4 |
| 1-4 | 5 | 434-001 NUT-3/4 NC SLTL | 2 |
| 1-4 | 6 | 1835-027 BSHG.-STL-1 1/2X1 1/4X1 1/2 | 4 |
| 1-4 | 7 | 213558-003 ROLLER ASSY-TRACK (INC. TWO OF REF. 6) | 2 |
| 1-4 | 8 | 213553-001 TUBE-SPACER | 2 |
| 1-4 | 9 | 213584-003 BOLT ASSY-IDLER (INC. REF. 10) | 2 |
| 1-4 | 10 | 598-001 ZERK-1/4" NF ST GREASE | 2 |
| 1-4 | 11 | 211190-001 SPROCKET-8 TOOTH | 2 |
| 1-4 | 12 | 213704-001 HUB-SF 1 1/4 (INC. REF. 16) | 2 |
| 1-4 | 13 | 213890-003 WASHER | 2 |
| 1-4 | 14 | 480-015 WASHER-5/8 S/T LOCK | 2 |
| 1-4 | 15 | 213890-005 BOLT-5/8-18 X 1.00 HEX | 2 |
| 1-4 | 16 | 578-011 HKEYS-1/4X1/4X2 | 2 |

TRACK ASSEMBLY - RUBBER

Figure 1-5

Revised April 1996 due to bolt update.
 Changed part marked with *.

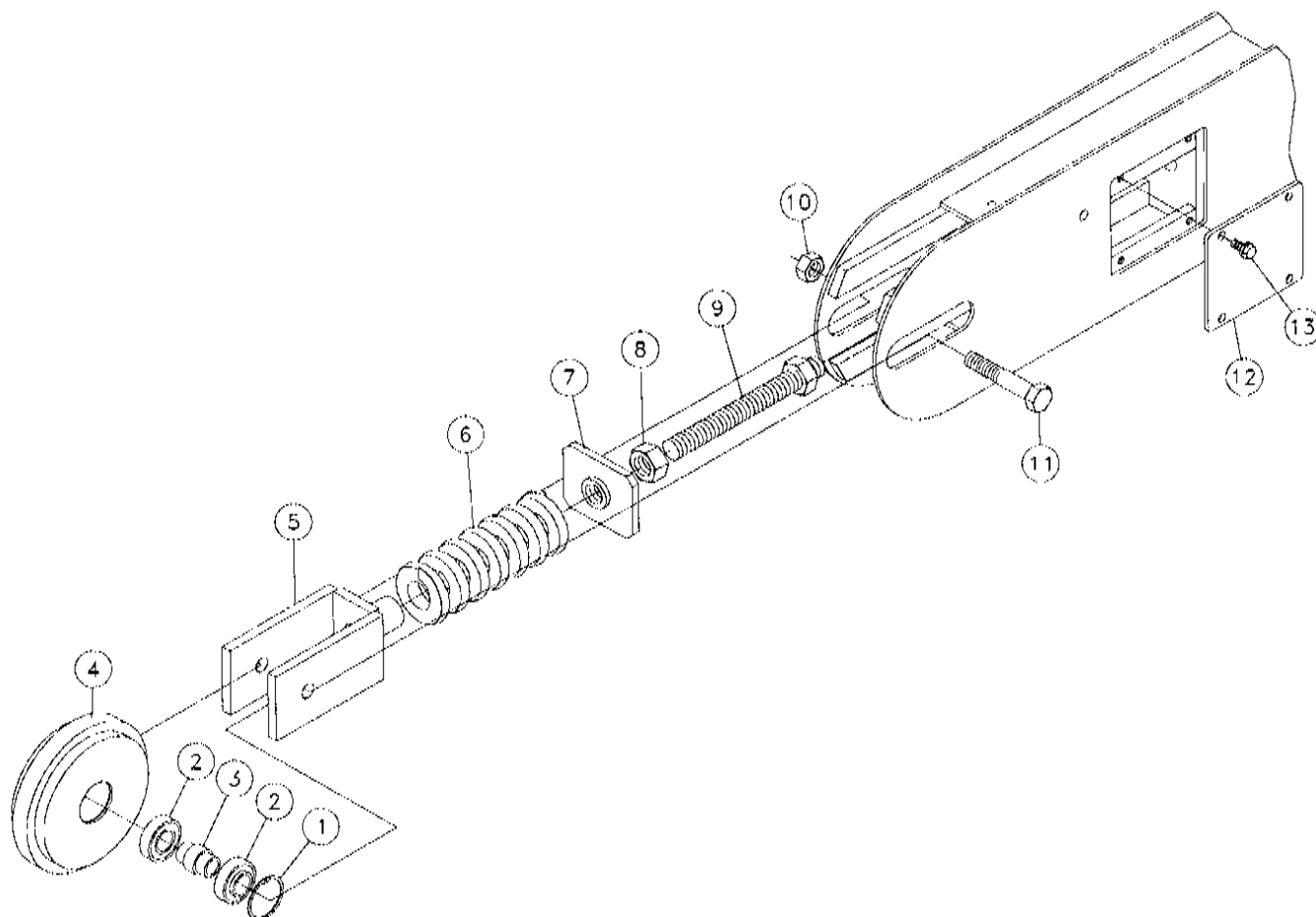


| REF. NO. | PART NO. | DESCRIPTION | QTY. |
|----------|----------|--|------|
| 1-5 | 1 | 219123-001 RUBBER TRACK-230 X 54 X 72FP | 2 |
| 1-5 | 2 | *4475-020 BOLT-3/8-16X 2" FLANGE WHIZ | 32 |
| 1-5 | 3 | 219284-001 GUIDE-TRACK | 8 |
| 1-5 | 4 | 217927-001 SPROCKET-10T | 2 |
| 1-5 | 5 | 1835-027 BSHG.-STL-1 1/2X1 1/4X1 1/2 | 4 |
| 1-5 | 6 | 217825-001 ROLLER-LOWER TRACK | 2 |
| 1-5 | 7 | 213553-001 TUBE-SPACER | 2 |
| 1-5 | 8 | 213584-003 BOLT ASSY-IDLER (INC. REF. 9) | 2 |
| 1-5 | 9 | 598-001 ZERK-1/4" NF ST GREASE | 2 |
| 1-5 | 10 | 213704-001 HUB-SF 1 1/4 (INC. REF. 15) | 2 |
| 1-5 | 11 | 213890-003 WASHER | 2 |
| 1-5 | 12 | 480-015 WASHER-5/8 S/T LOCK | 2 |
| 1-5 | 13 | 213890-005 BOLT-5/8-18 X 1.00 HEX | 2 |
| 1-5 | 14 | 434-001 NUT-3/4 NC SLTL | 2 |
| 1-5 | 15 | 578-011 HKEYS-1/4X1/4X2 | 2 |

TRACK CHAIN TIGHTENER ASSEMBLY

Figure 1-6

Revised November 1996 due to correction on drawing. Changed parts marked with *.

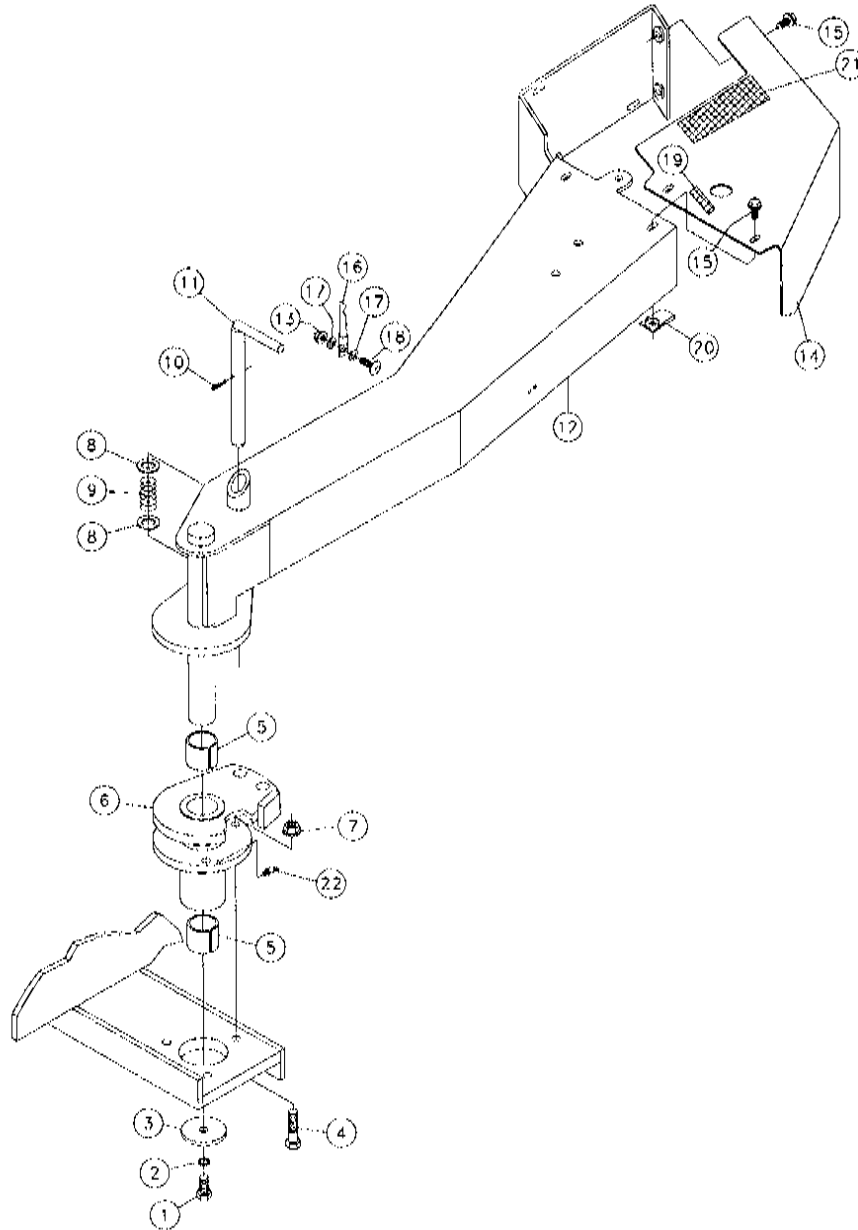


| REF. NO. | PART NO. | DESCRIPTION | QTY. |
|----------|----------|---|------|
| 1-6 | 1 | 602-206 SNAP RING-INT. 2 1/16 INCH | 2 |
| 1-6 | 2 | 57904-001 BEARING-1"CYLINDER WO/COLLAR | 4 |
| 1-6 | 3 | 211194-001 SPACER-IDLER | 2 |
| 1-6 | 4 | 211193-001 END-ROLLER (STEEL TRACK) 217827-001 ROLLER-END IDLER (RUBBER TRACK) | 2 |
| 1-6 | 5 | 211180-001 SLIDE-IDLER | 2 |
| 1-6 | 6 | 215468-001 SPRING-COMP2-15/16ODX11/16WIRE | 2 |
| 1-6 | 7 | 211187-001 NUT-SPRING | 2 |
| 1-6 | 8 | 437-001 NUT-1 NC HEX JAM | 2 |
| 1-6 | 9 | 211184-001 BOLT-TENSION | 2 |
| 1-6 | 10 | 434-001 NUT-3/4 NC SLTL | 2 |
| 1-6 | 11 | 369-040 3/4-10X4" GRADE#5 HEX BOLT | 2 |
| 1-6 | 12 | *211177-001 PLATE-COVER | 2 |
| 1-6 | 13 | *4475-006 BOLT-3/8-16X3/4 FLG WHIZ | 8 |

CONTROL ARM ASSEMBLY

Figure 1-7

Revised November 1996 due to update of decals. Changed parts marked with *.

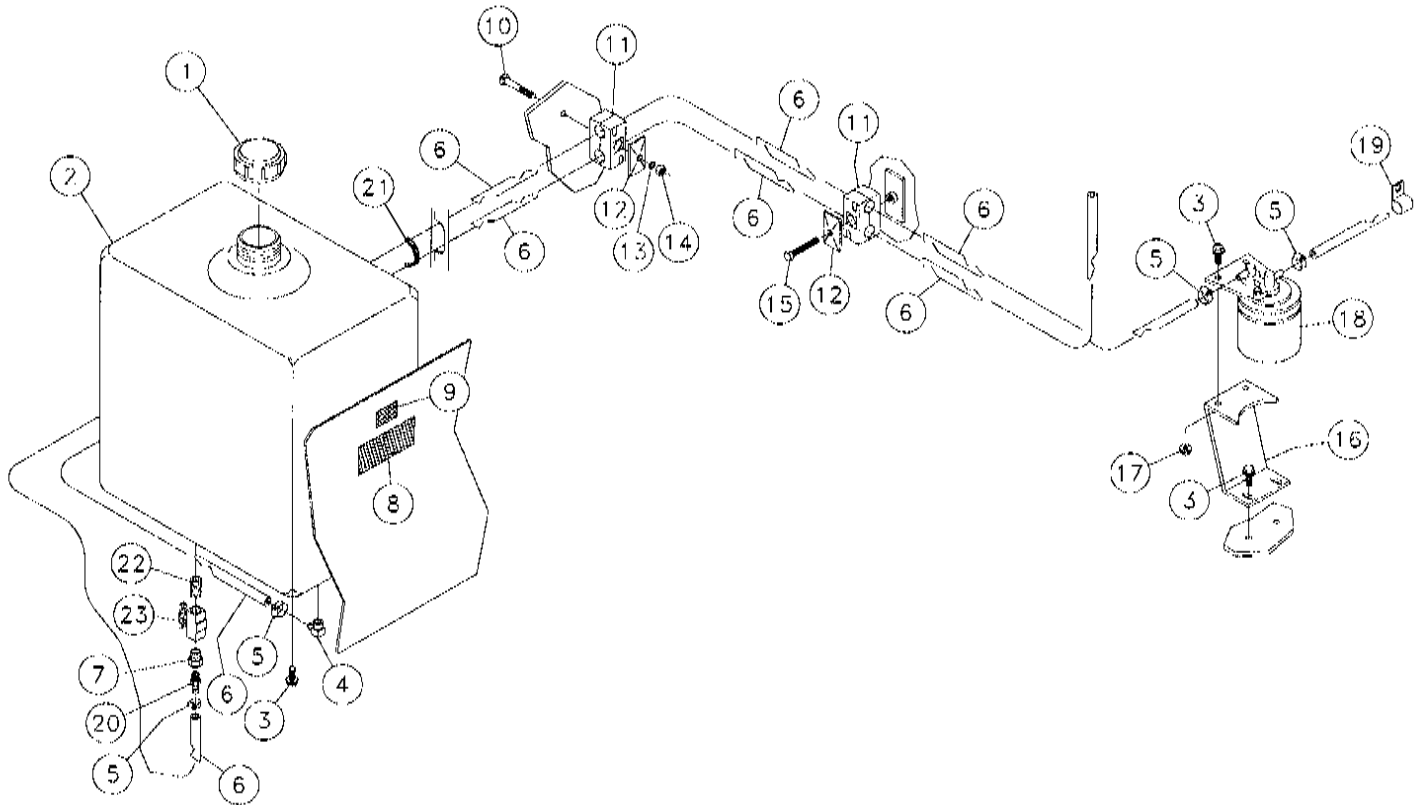


| REF. NO. | PART NO. | DESCRIPTION | QTY. | REF. NO. | PART NO. | DESCRIPTION | QTY. |
|----------|----------|---|------|----------|----------|---------------------------------------|------|
| 1-7 | 1 | 358-010 BOLT-1/2-13X1" GRADE#5 HEX | 1 | 1-7 | 13 | 4536-001 NUT - 3/8-16 FLG. WHIZ LOCK | 2 |
| 1-7 | 2 | 480-011 WASHER-1/2 S/T LOCK | 1 | 1-7 | 14 | 219405-001 SHIELD-VALVE | 1 |
| 1-7 | 3 | 5832-001 CAP-1/4-2 1/2OD | 1 | 1-7 | 15 | 4475-006 BOLT-3/8-16X3/4 FLG WHIZ | 4 |
| 1-7 | 4 | 358-020 BOLT-1/2-13X2" GRADE#5 HEX | 3 | 1-7 | 16 | 219380-001 STRAP-GROUND 4 GA.X12" E-E | 1 |
| 1-7 | 5 | 1835-029 BSHG.-STL.-1 3/4X1 1/2X1 1/2 | 2 | 1-7 | 17 | 482-001 WASHER-3/8 INT STAR | 2 |
| 1-7 | 6 | 227044-003 MOUNT ASSEMBLY-SEAT PIVOT (INC. REF. 5 & 22) | 1 | 1-7 | 18 | 375-010 BOLT-3/8"-16X1"GD#5 CARRIAGE | 1 |
| 1-7 | 7 | 1809-001 NUT-1/2 SM FLGE CENTER LOCK | 3 | 1-7 | 19 | 7000A-034 DECAL-WATER PUMP | 1 |
| 1-7 | 8 | 483-025 WASHER-1 1/4"ODX3/4"ID-14 GA. | 2 | 1-7 | 20 | *13323-001 U-CLIP 3/8"-16 | 2 |
| 1-7 | 9 | 1803-023 SPRING - COMP. #67 2" OA | 1 | 1-7 | 21 | *7001A-556 DECAL-CONTROLS | 1 |
| 1-7 | 10 | 1788-043 PIN-1/8" X 1" EXPANSION | 1 | 1-7 | 22 | 596-001 ZERK-1/4" NF 45 DEG GREASE | 1 |
| 1-7 | 11 | 229276-001 PIN-SEAT PIVOT | 1 | 1-7 | 23 | 13323-001 U-CLIP 3/8"-16 | 2 |
| 1-7 | 12 | 227052-001 ARM-CONTROL | 1 | | | | |

FUEL TANK ASSEMBLY

Figure 1-8

Revised April 1997 due to update of fuel filter mount & addition of fuel shut-off.
Changed/added parts marked with *.

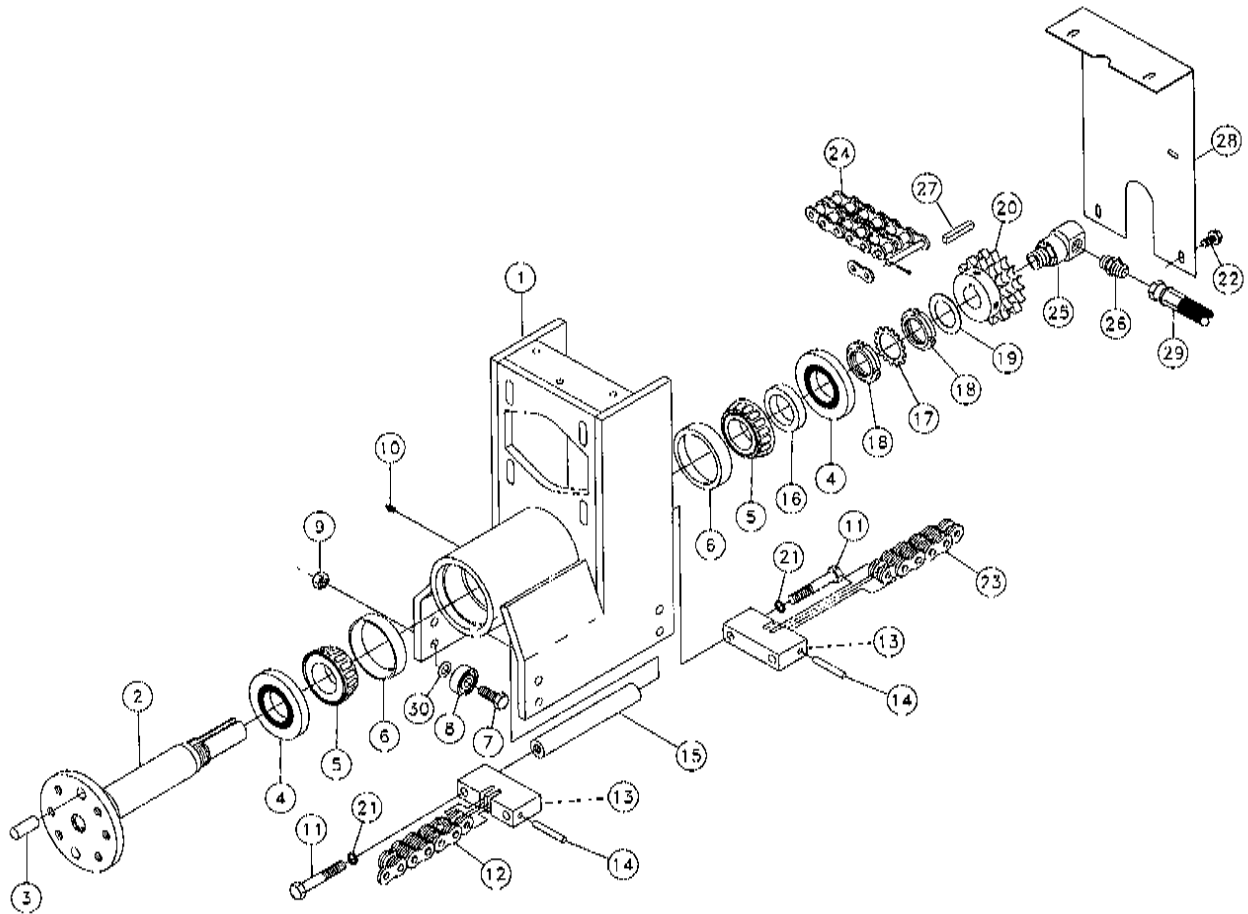


| REF. NO. | PART NO. | DESCRIPTION | QTY. |
|----------|----------|---|------|
| 1-8 | 1 | 224995-001 CAP-FUEL | 1 |
| 1-8 | 2 | 225853-001 TANK-FUEL 8 GAL. | 1 |
| 1-8 | 3 | 4474-006 BOLT-5/16-18X3/4 FLANGE WHIZ | 8 |
| 1-8 | 4 | 79412-001 FITTING-#1069X6 90 DEG M EL. | 1 |
| 1-8 | 5 | 1578-001 HOSE CLAMP - 1/4" | 6 |
| 1-8 | 6 | 619-001 HOSE - 1/4 FUEL LINE (SPECIFY LENGTH) A/R | |
| 1-8 | 7 | 4022-001 FITTING-3220X4X2 WEATHERHEAD | 1 |
| 1-8 | 8 | 2326-324 DECAL-WARNING/REFUEL | 1 |
| | | 23261-324 DECAL-WARNING/REFUEL (INT.) | 1 |
| 1-8 | 9 | 70000-098 DECAL-DIESEL (AT/UND) | 1 |
| 1-8 | 10 | 16380-020 BOLT-5/16-18X2 GR.5 CARRIAGE | 1 |
| 1-8 | 11 | 900035-005 CLAMP-3/8" DOUBLE HOSE | 2 |
| 1-8 | 12 | 67846-003 PLATE-TWIN COVER | ? |
| 1-8 | 13 | 480-005 WASHER-5/16 S/T LOCK | 1 |
| 1-8 | 14 | 406-001 NUT-5/16 NC HEX | 1 |
| 1-8 | 15 | 351-012 BOLT-5/16"-18X1 1/4*GR5 HEX | 1 |
| 1-8 | 16 | *240008-001 MOUNT-FUEL FILTER | 1 |
| 1-8 | 17 | 408-001 NUT-5/16 NC FLG WHIZ LOCK | 2 |
| 1-8 | 18 | 218420-077 FILTER KIT (COMPLETE) | 1 |
| | | 218420-073 FUEL FILTER | 1 |
| 1-8 | 19 | 2595-001 HOSE CLAMP | 1 |
| 1-8 | 20 | 78171-001 FITTING-1/8"M NPTX5/16" HB STR. | 1 |
| 1-8 | 21 | 236285-001 GROMMET-1 1/2" RUBBER | 1 |
| 1-8 | 22 | *736-001 1/4 CLOSE NIPPLE BLACK STEEL | 1 |
| 1-8 | 23 | *56691-001 FITTING-6805 WEATHERHEAD | 1 |

DRIVE HEAD ASSEMBLY

Figure 1-9

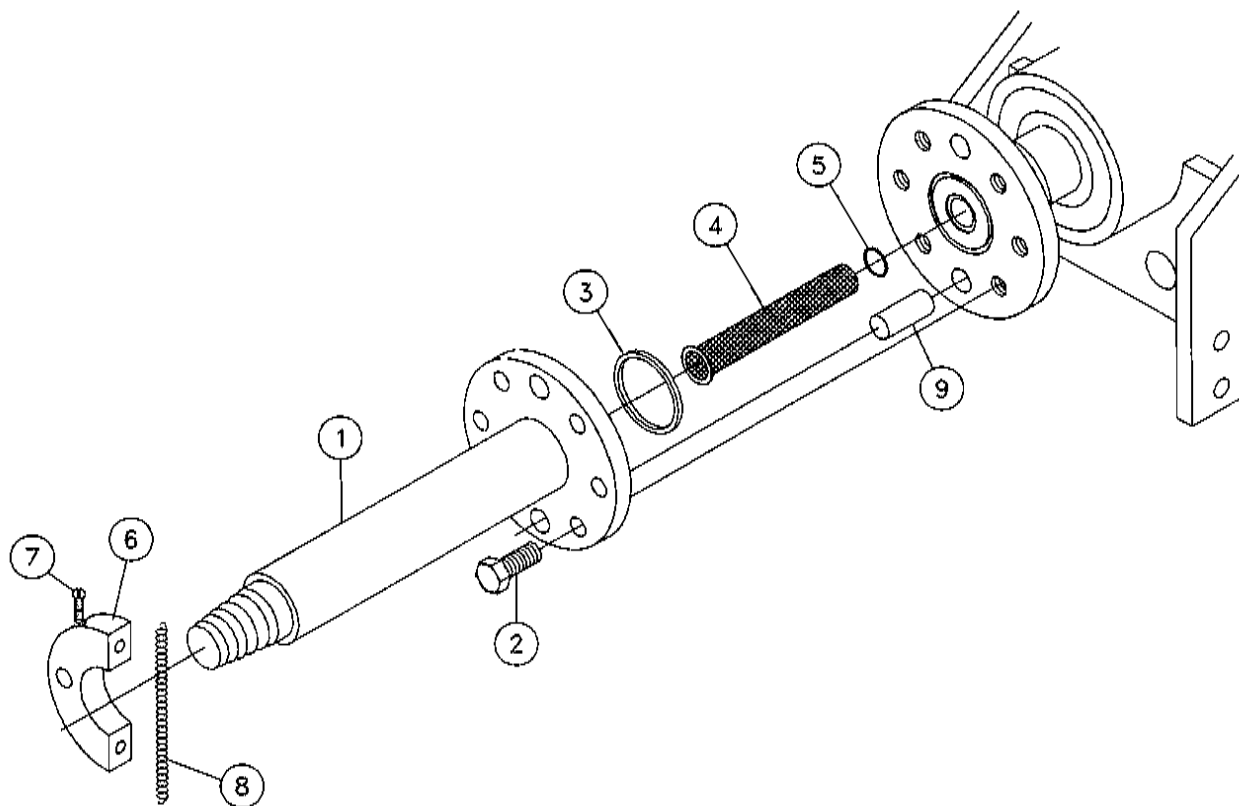
Revised March 1997 due to addition of washer. Added part marked with *.



| REF. NO. | PART NO. | DESCRIPTION | QTY. | REF. NO. | PART NO. | DESCRIPTION | QTY. |
|----------|----------|---|------|----------|----------|---|------|
| 1-9 | 1 | 229388-001 HEAD-DRIVE | 1 | 1-9 | 18 | 904674-001 NUT-LOCK | 2 |
| 1-9 | 2 | 222406-001 HEAD SHAFT | 1 | 1-9 | 19 | 483-009 WASHER-2 1/4" OD X 1 1/2" ID X 14 GA. | 1 |
| 1-9 | 3 | 70096-001 PIN-DOWEL 5/8DIA.-1 1/2 | 1 | 1-9 | 20 | 234684-001 SPROCKET-D60HB19T | 1 |
| 1-9 | 4 | 3967-001 SEAL | 2 | 1-9 | 21 | 480-011 WASHER-1/2 S/T LOCK | 4 |
| 1-9 | 5 | 904672-001 CONE-BEARING | 2 | 1-9 | 22 | 4475-006 BOLT-3/8-16X3/4 FLG WHIZ | 5 |
| 1-9 | 6 | 904673-001 CUP-BEARING | 2 | 1-9 | 23 | 219122-223 CHAIN-LEAF BL644 223P W/M ENDS | 1 |
| 1-9 | 7 | 358-012 BOLT-1/2-13 X 1 1/4 GR #5 HEX | 8 | | | 219122-001 LINK-CONNECTOR | |
| 1-9 | 8 | 1732-003 BEARING | 8 | 1-9 | 24 | 231766-032 CHAIN-60-2H32P W/C | 1 |
| 1-9 | 9 | 421-001 NUT-1/2 NC HEX | 8 | | | 231766-003 LINK-60-2H CONNECTOR | |
| 1-9 | 10 | 586-001 ZERK-1/8" ST NPT GREASE | 1 | | | 231766-005 LINK-60-2H ROLLER | |
| 1-9 | 11 | *358-030 1/2-13X3" GRADE#5 HEX BOLT | 4 | 1-9 | 25 | *234744-001 FITTING-#8MX8F 90 SWIVEL | 1 |
| 1-9 | 12 | 219122-147 CHAIN-LEAF BL644 147P W/M ENDS | 1 | | | *234744-003 REPAIR KIT-SWIVEL | 1 |
| | | 219122-001 LINK-CONNECTOR | 0 | 1-9 | 26 | 53824-001 FITTING-#8M O-RING-#8M JIC ST. | 1 |
| 1-9 | 13 | 217762-001 ANCHOR-CHAIN | 2 | 1-9 | 27 | 218253-001 HKEY-5/16X5/16-2.00 | 1 |
| 1-9 | 14 | 217205-001 PIN-CHAIN (.3125 X 2.40) | 2 | 1-9 | 28 | 215707-001 SHIELD | 1 |
| 1-9 | 15 | 215715-001 ROD-SLIDE | 2 | 1-9 | 29 | 53844-381 HOSE-1/2X8.50 8FS JIC 2000 PSI | 1 |
| 1-9 | 16 | 215703-001 SPACER - BEARING | 1 | 1-9 | 30 | *4542-005 WASHER-7/8" OD X 1/2" ID X 18 GA. | 8 |
| 1-9 | 17 | 904675-001 WASHER-LOCK | 1 | | | | |

DRIVE CHUCK ASSEMBLY

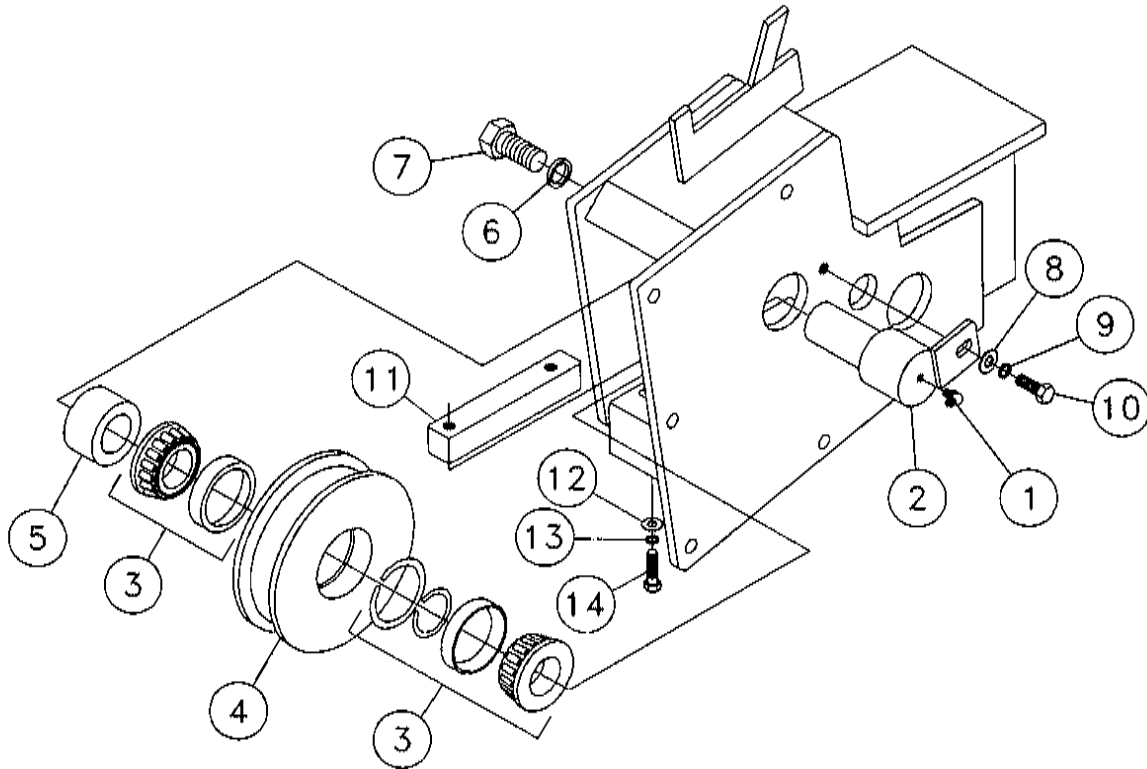
Figure 1-10



| REF. NO. | PART NO. | DESCRIPTION | QTY. |
|----------|----------|---|------|
| 1-10 | 1 | 216453-001 DRIVE CHUCK-1 7/8"OD 5" FLGE V | 1 |
| 1-10 | 2 | 75381-012 BOLT-1/2-UNCX1 1/4 GR.8 HEX | 6 |
| 1-10 | 3 | 72897-001 O RING-SQ. #24 FLANGE | 1 |
| 1-10 | 4 | 905011-001 SCREEN (DRILL FLUID) | 1 |
| | | 905012-001 SCREEN (WATER) | 1 |
| 1-10 | 5 | 904508-001 WASHER-BLACK RUBBER | 1 |
| 1-10 | 6 | 216460-001 ARM-CLOCK | 1 |
| 1-10 | 7 | 220692-001 SCREW-#6 X 3/4 PAN ED SELF-TAP | 2 |
| 1-10 | 8 | 220693-001 SPRING-EXT. .25ODX.03WIRE-5.00 | 1 |
| 1-10 | 9 | 70096-001 PIN-DOWEL 5/8DIA.-1 1/2 | 1 |

ROLLER ASSEMBLY (REAR)

Figure 1-11

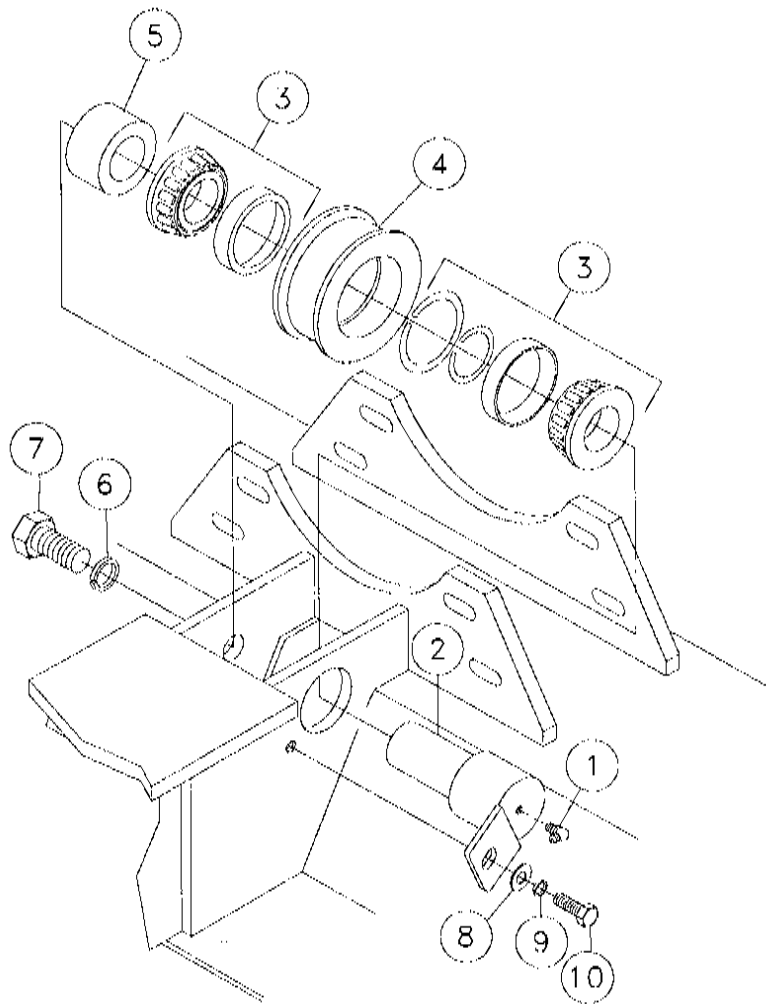


| REF. NO. | PART NO. | DESCRIPTION | QTY. |
|----------|----------|--|------|
| 1-11 | 1 | 588-001 ZERK-1/8" NPT 45 DEG GREASE | 1 |
| 1-11 | 2 | 220904-003 PIN-ASSEMBLY-ROLLER (INC. REF. 1) | 1 |
| 1-11 | 3 | 217234-001 BEARING SET-1 3/8" ROLLER | 1 |
| 1-11 | 4 | 215671-001 ROLLER-LARGE | 1 |
| 1-11 | 5 | 215724-001 SPACER-ROLLER | 1 |
| 1-11 | 6 | 480-017 WASHER-3/4 S/T LOCK | 1 |
| 1-11 | 7 | 369-014 BOLT-3/4"-10X 1 1/2" GRADE#5 HEX | 1 |
| 1-11 | 8 | 485-007 WASHER-3/8 FLAT | 1 |
| 1-11 | 9 | 480-007 WASHER-3/8 S/T LOCK | 1 |
| 1-11 | 10 | 354-010 BOLT-3/8-16X1" GRADE#5 HEX | 1 |
| 1-11 | 11 | 220307-001 BLOCK-NYLON WEAR | 2 |
| 1-11 | 12 | 485-005 WASHER-5/16 FLAT | 4 |
| 1-11 | 13 | 480-005 WASHER-5/16 S/T LOCK | 4 |
| 1-11 | 14 | 351-012 BOLT-5/16"-18X1 1/4" GR5 HEX | 4 |

ROLLER ASSEMBLY (FRONT)

Figure 1-12

Revised November 1996 due to update of drawing.

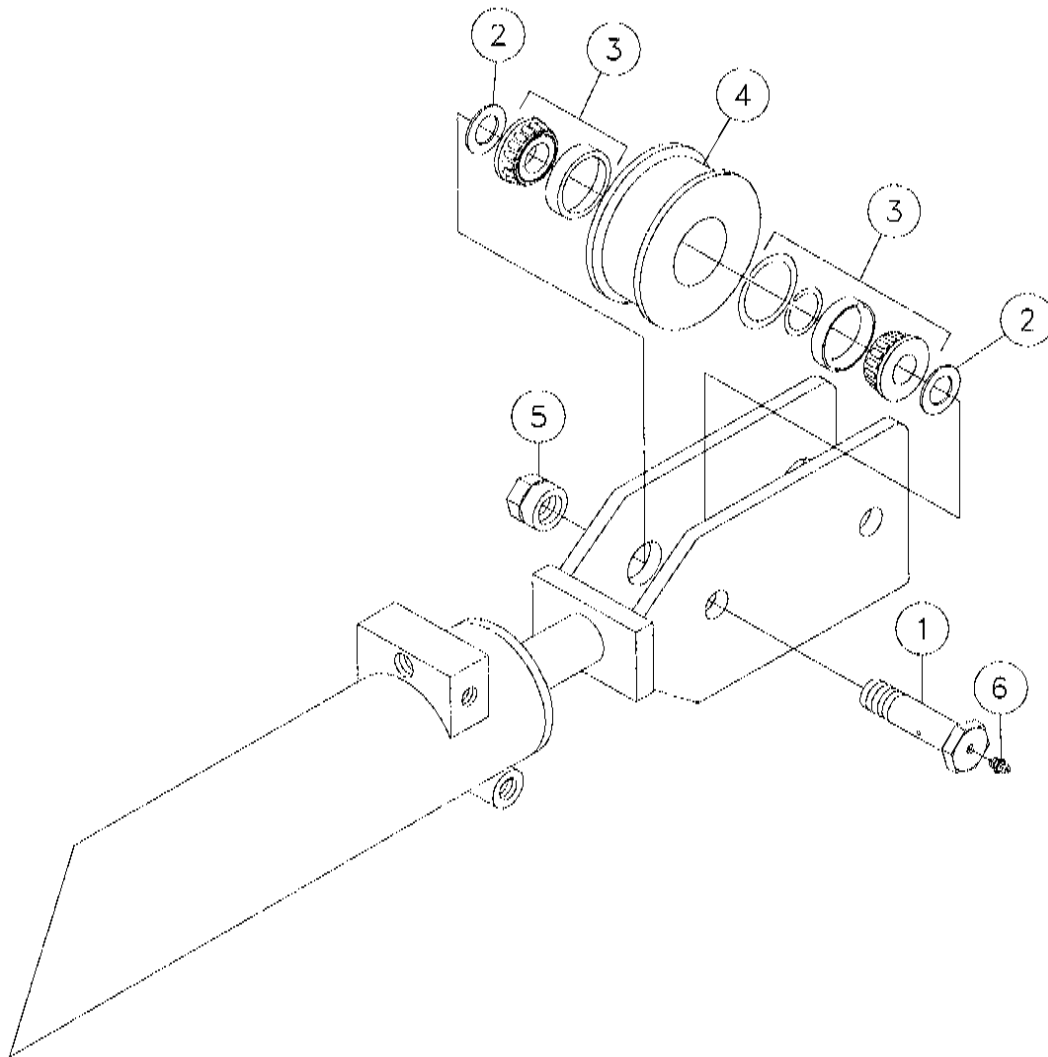


| REF. NO. | PART NO. | DESCRIPTION | QTY. |
|----------|----------|---|------|
| 1-12 | 1 | 588-001 ZERK-1/8" NPT 45 DEG GREASE | 1 |
| 1-12 | 2 | 220904-001 PIN-ROLLER (INC. REF. 1) | 1 |
| 1-12 | 3 | 217234-001 BEARING SET-1 3/8" ROLLER | 1 |
| 1-12 | 4 | 215736-001 ROLLER-SMALL | 1 |
| 1-12 | 5 | 215724-001 SPACER-ROLLER | 1 |
| 1-12 | 6 | 480-017 WASHER-3/4 S/T LOCK | 1 |
| 1-12 | 7 | 369-014 BOLT-3/4"-10X 1 1/2" GRADE#5HEX | 1 |
| 1-12 | 8 | 485-007 WASHER-3/8 FLAT | 1 |
| 1-12 | 9 | 480-007 WASHER-3/8 S/T LOCK | 1 |
| 1-12 | 10 | 354-010 BOLT-3/8-16X1" GRADE#5 HEX | 1 |

ROLLER ASSEMBLY (CYLINDER)

Figure 1-13

Revised November 1996 due to update of drawing.

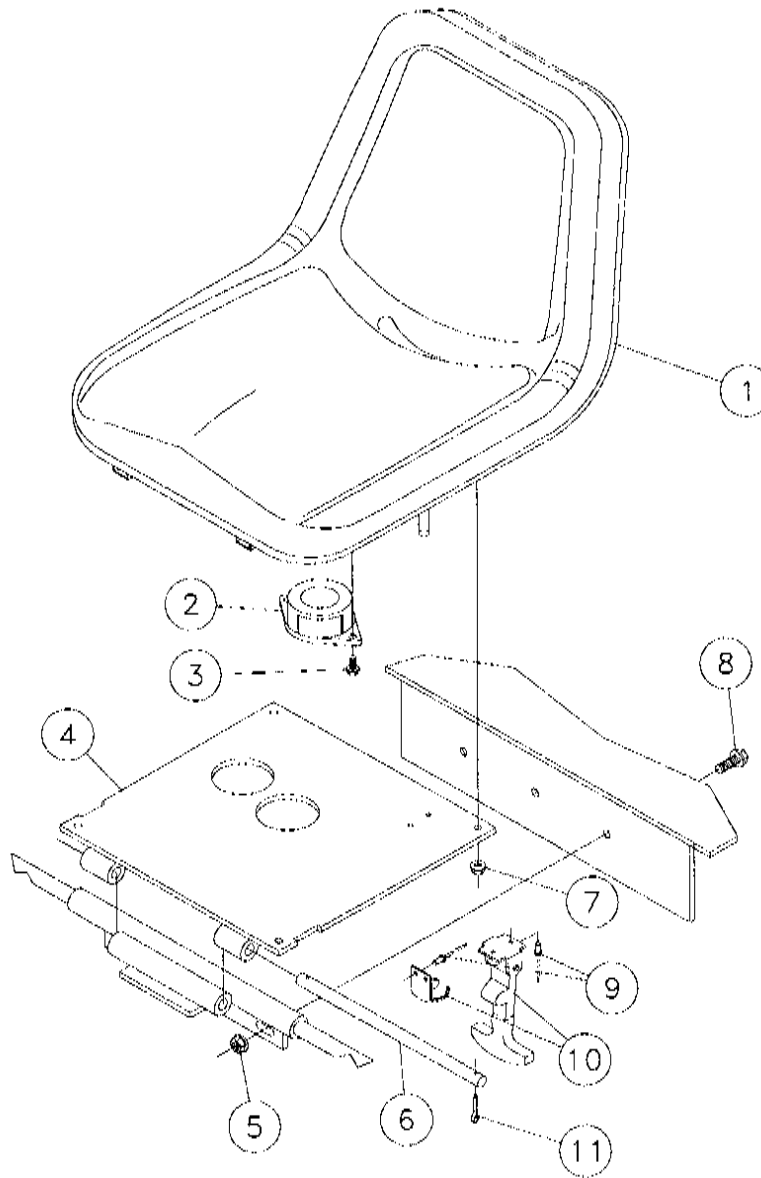


| REF. NO. | PART NO. | DESCRIPTION | QTY. |
|----------|----------|--|------|
| 1-13 | 1 | 229492-003 BOLT ASSY.-ROLLER (INC. REF. 6) | 2 |
| 1-13 | 2 | 483-025 WASHER-1 1/4X3/4X14 GA M.B. | 2 |
| 1-13 | 3 | 62525-001 BEARING ASSY | 2 |
| 1-13 | 4 | 215670-001 ROLLER-SMALL | 2 |
| 1-13 | 5 | 215675-001 NUT-LONG ROLLER | 2 |
| 1-13 | 6 | 598-001 ZERK-1/4-28 ST. GREASE | 2 |

SEAT ASSEMBLY

Figure 1-14

Revised April 1996 due to update of seat mount. Changed part marked with .

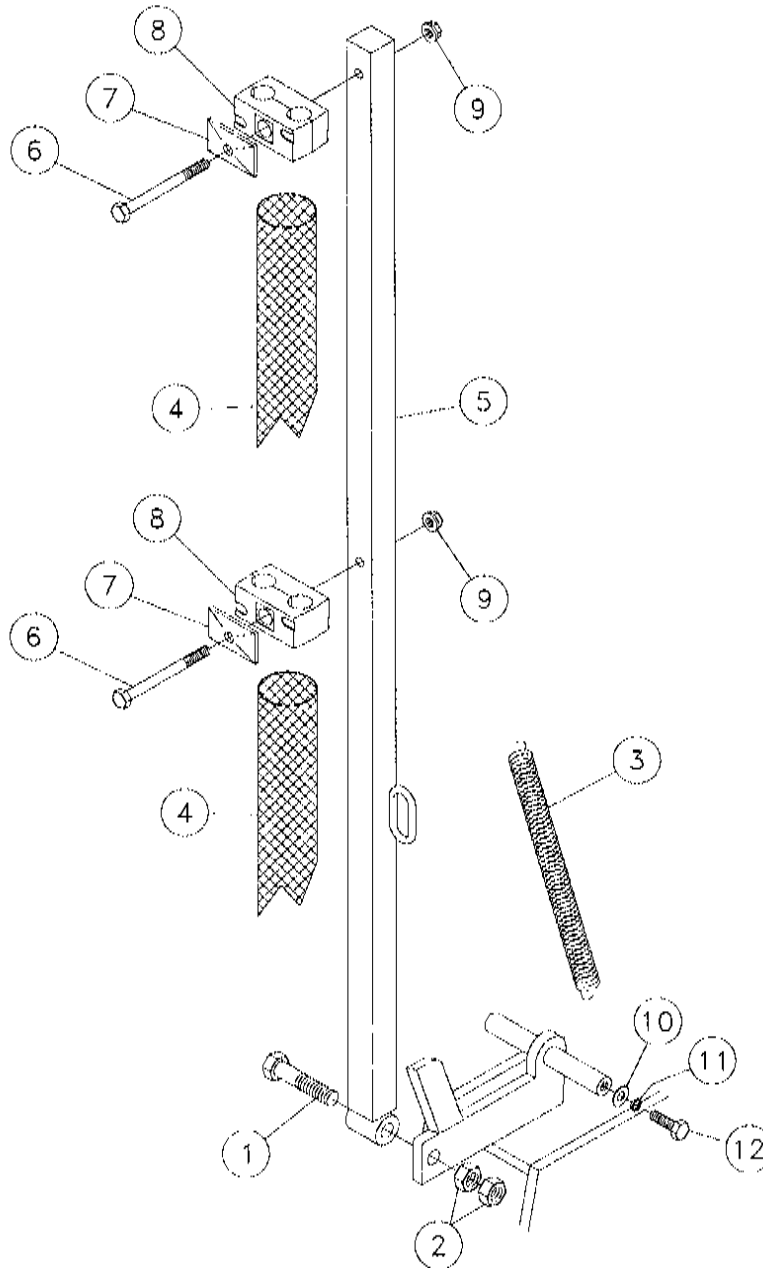


| <u>REF. NO.</u> | <u>PART NO.</u> | <u>DESCRIPTION</u> | <u>QTY.</u> |
|-----------------|-----------------|--------------------------------------|-------------|
| 1-14 | 1 | 219186-001 SEAT-MILSCO OLYMPIC | 1 |
| 1-14 | 2 | 219166-003 SWITCH-SAFETY | 1 |
| 1-14 | 3 | 4473-004 1/4-20X1/2 FLGE WHIZ BOLT | 2 |
| 1-14 | 4 | 219467-001 MOUNT-SEAT | 1 |
| 1-14 | 5 | 4536-001 NUT - 3/8-16 FLG. WHIZ LOCK | 3 |
| 1-14 | 6 | 219468-001 ROD-SEAT MOUNT | 1 |
| 1-14 | 7 | 408-001 NUT-5/16 NC FLG WHIZ LOCK | 4 |
| 1-14 | 8 | 4475-010 BOLT-3/8-16X1 FLANGE WHIZ | 3 |
| 1-14 | 9 | N/A RIVET-3/16" .375-.500 | 4 |
| 1-14 | 10 | 1864-001 LATCH-FLEXIBLE DRAW LATCH | 1 |
| 1-14 | 11 | 510-009 COTTER PIN-1/8" X 1" | 2 |

HOSE ARM ASSEMBLY

Figure 1-15

Revised November 1996 due to update of hose arm & hardware. Changed parts marked with *.

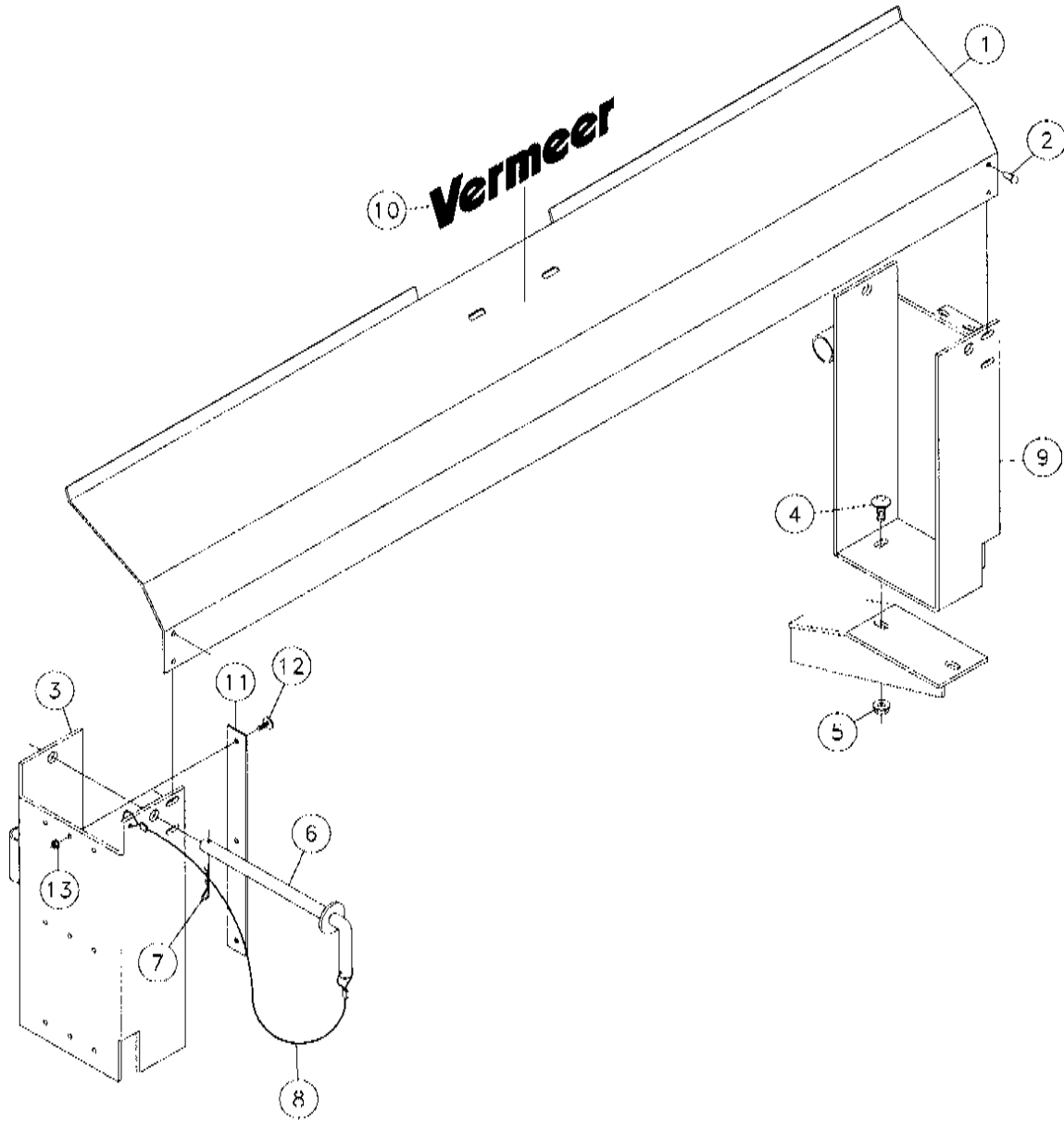


| REF. NO. | PART NO. | DESCRIPTION | QTY. | REF. NO. | PART NO. | DESCRIPTION | QTY. |
|----------|----------|---|------|----------|----------|--|------|
| 1-15 | 1 | 356-024 BOLT-1/2-13X2 1/2"GRADE#5HEX | 1 | 1-15 | 7 | 96716-005 COVER PLATE-TWIN HOSE HOLDER | 2 |
| 1-15 | 2 | 421-001 NUT-1/2 NC HEX | 2 | 1-15 | 8 | 96716-001 HOSE HOLDER-1"DOUBLE | 2 |
| 1-15 | 3 | 1789-139 SPRING - EXT. 12" ZINC | 1 | 1-15 | 9 | 408-001 NUT-5/16 NC FLG WHIZ LOCK | 2 |
| 1-15 | 4 | 53841-001 CORDURA SLEEVE- 2.37DI (SPECIFY LENGTH) | 2 | 1-15 | 10 | *485-005 WASHER-5/16" FLAT | 2 |
| 1-15 | 5 | *229381-001 ARM-HOSE | 1 | 1-15 | 11 | *480-005 WASHER-5/16" LOCK | 2 |
| 1-15 | 6 | 351-034 BOLT-5/16-18X3 1/2 HEXHD GR.5 | 2 | 1-15 | 12 | *351-006 BOLT-5/16"-18X 3/4" | 2 |

DRILL ROD BOX ASSEMBLY

Figure 1-16

Revised November 1996 due to drawing correction. Changed parts marked with *.

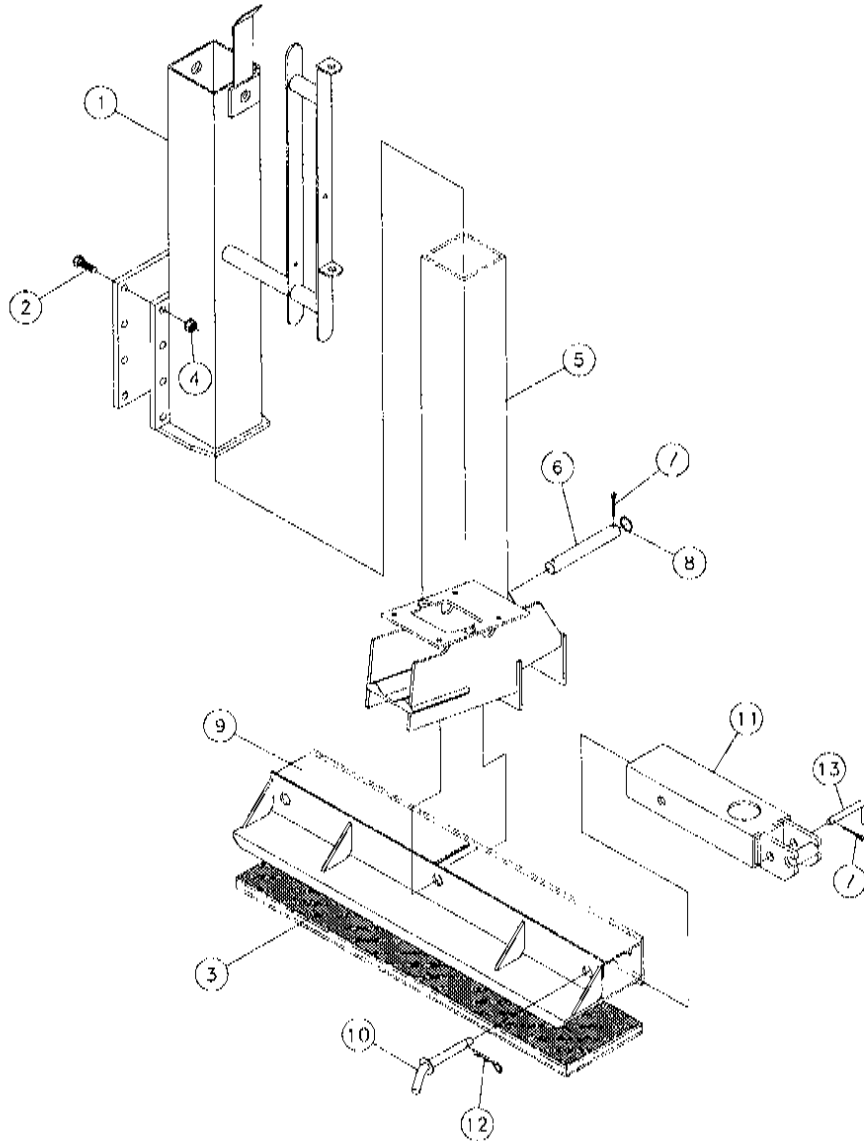


| <u>REF. NO.</u> | <u>PART NO.</u> | <u>DESCRIPTION</u> | <u>QTY.</u> |
|-----------------|-----------------|--|-------------|
| 1-16 | 1 | 229337-001 SHIELD-ROD | 1 |
| 1-16 | 2 | 220710-001 RIVET-ALUMINUM RND HD | 4 |
| 1-16 | 3 | *229261-001 BOX-ROD | 1 |
| 1-16 | 4 | 377-012 BOLT-1/2-13X1 1/4"GD#5CARRIAGE | 4 |
| 1-16 | 5 | 1809-001 NUT-1/2 SM FLGE CENTER LOCK | 4 |
| 1-16 | 6 | 229278-001 PIN-ROD BOX | 2 |
| 1-16 | 7 | 1794-003 HAIN PIN COTTER - .148 WIRE | 2 |
| 1-16 | 8 | 1830-005 CABLE-3/32"NYLON COATED 20" | 2 |
| | | 1838-001 CONNECTOR-WIRE (ETC) | 4 |
| 1-16 | 9 | *229262-001 BOX-ROD | 1 |
| 1-16 | 10 | 2326-619 DECAL- VERMEER 3 X 15 | 1 |
| 1-16 | 11 | 229290-001 BAR-DRAINAGE ROD | 3 |
| 1-16 | 12 | 113551-006 1/4-20X3/4 ELEVATOR BOLT | 9 |
| 1-16 | 13 | 405-001 NUT-1/4 NC FLG WHIZ LOCK | 9 |

OUTRIGGER ASSEMBLY

Figure 1-17

Revised November 1996 due to update of outrigger relating to changed water pump (Serial No. 560). Changed part marked with *.

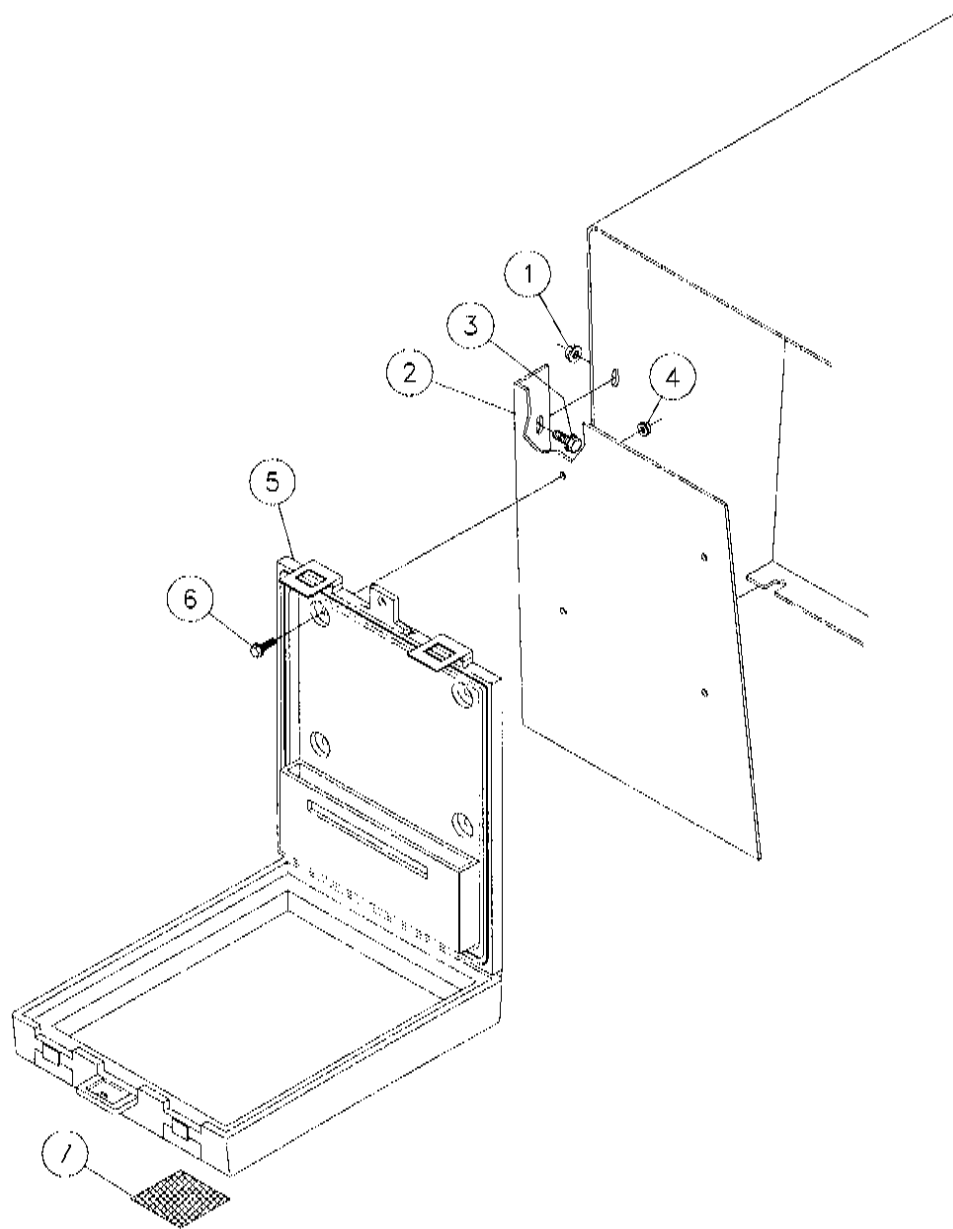


| REF. NO. | PART NO. | DESCRIPTION | QTY. |
|----------|----------|--|------|
| 1-17 | 1 | 229411-001 TUBE-OUTRIGGER | 1 |
| 1-17 | 2 | 358-014 BOLT-1/2-13X1 1/2"GRADE#5 HEX | 6 |
| 1-17 | 3 | 219400-001 RUBBER-FOOT PAD (GLUED TO OUTRIGGER FOOT) | 1 |
| 1-17 | 4 | 1809-001 NUT-1/2 SM FLGE CENTER LOCK | 6 |
| 1-17 | 5 | *235516-001 OUTRIGGER | 1 |
| 1-17 | 6 | 55617-001 PIN-CYLINDER | 1 |
| 1-17 | 7 | 510-023 COTTER PIN-3/16" X 1 3/4" | 6 |
| 1-17 | 8 | 483-005 WASHER-1 1/2X1X14 GA M.B. | 2 |
| 1-17 | 9 | 219399-001 OUTRIGGER FOOT ASSY (INC. REF. 3) | 1 |
| 1-17 | 10 | 220750-001 FOOT PIN ASSY | 2 |
| 1-17 | 11 | 226129-001 EXTENSION-OUTRIGGER FOOT | 2 |
| 1-17 | 12 | 1794-003 HAIR PIN COTTER - .148 WIRE | 4 |
| 1-17 | 13 | 226141-001 PIN-OUTRIGGER POCKET MOUNT | 2 |

LITERATURE BOX ASSEMBLY

Figure 1-18

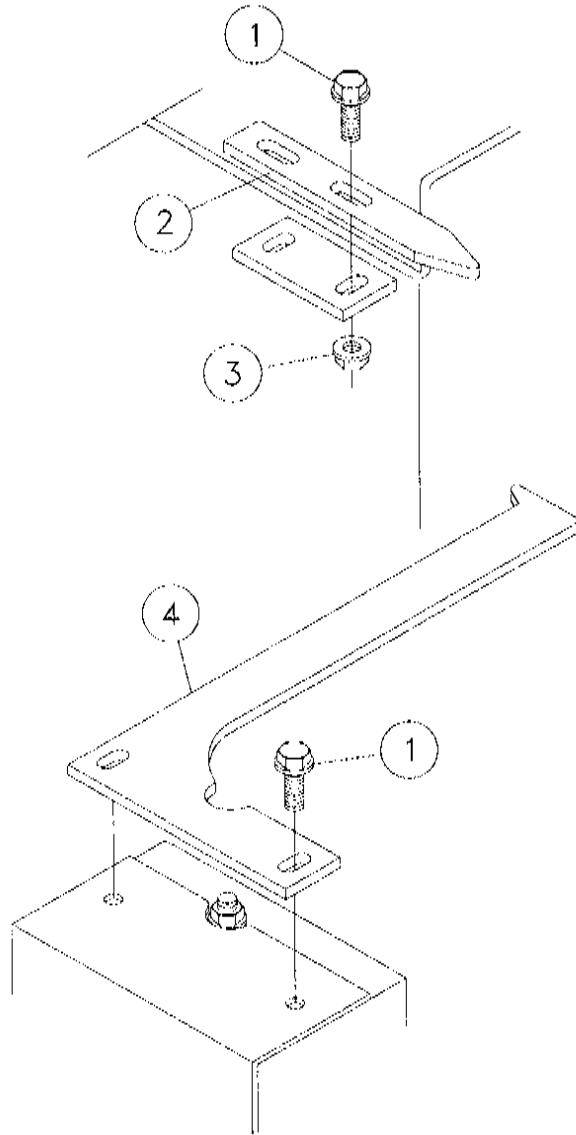
Revised November 1996 due to decal update. Changed/added parts marked with *.



| <u>REF. NO.</u> | <u>PART NO.</u> | <u>DESCRIPTION</u> | <u>QTY.</u> |
|-----------------|-----------------|---|-------------|
| 1-18 | 1 | 1809-007 NUT - 5/16-18 SM.FLGE.T.L. | 2 |
| 1-18 | 2 | 217389-001 MOUNT-OPERATORS MANUAL BOX | 1 |
| 1-18 | 3 | 4474-006 BOLT-5/16-18X3/4 FLANGE WHIZ | 2 |
| 1-18 | 4 | 405-001 NUT-1/4 NC FLG WHIZ LOCK | 4 |
| 1-18 | 5 | 903186-001 BOX-PLASTIC LITERATURE | 1 |
| 1-18 | 6 | 4473-006 BOLT-1/4-20X3/4 FLG WHIZ | 4 |
| 1-18 | 7 | *70000-294 DECAL-OPERATOR'S MANUAL | 1 |
| | | *70001-294 DECAL-OPERATOR'S MANUAL (INT.) | 1 |

POINTER ASSEMBLY

Figure 1-19

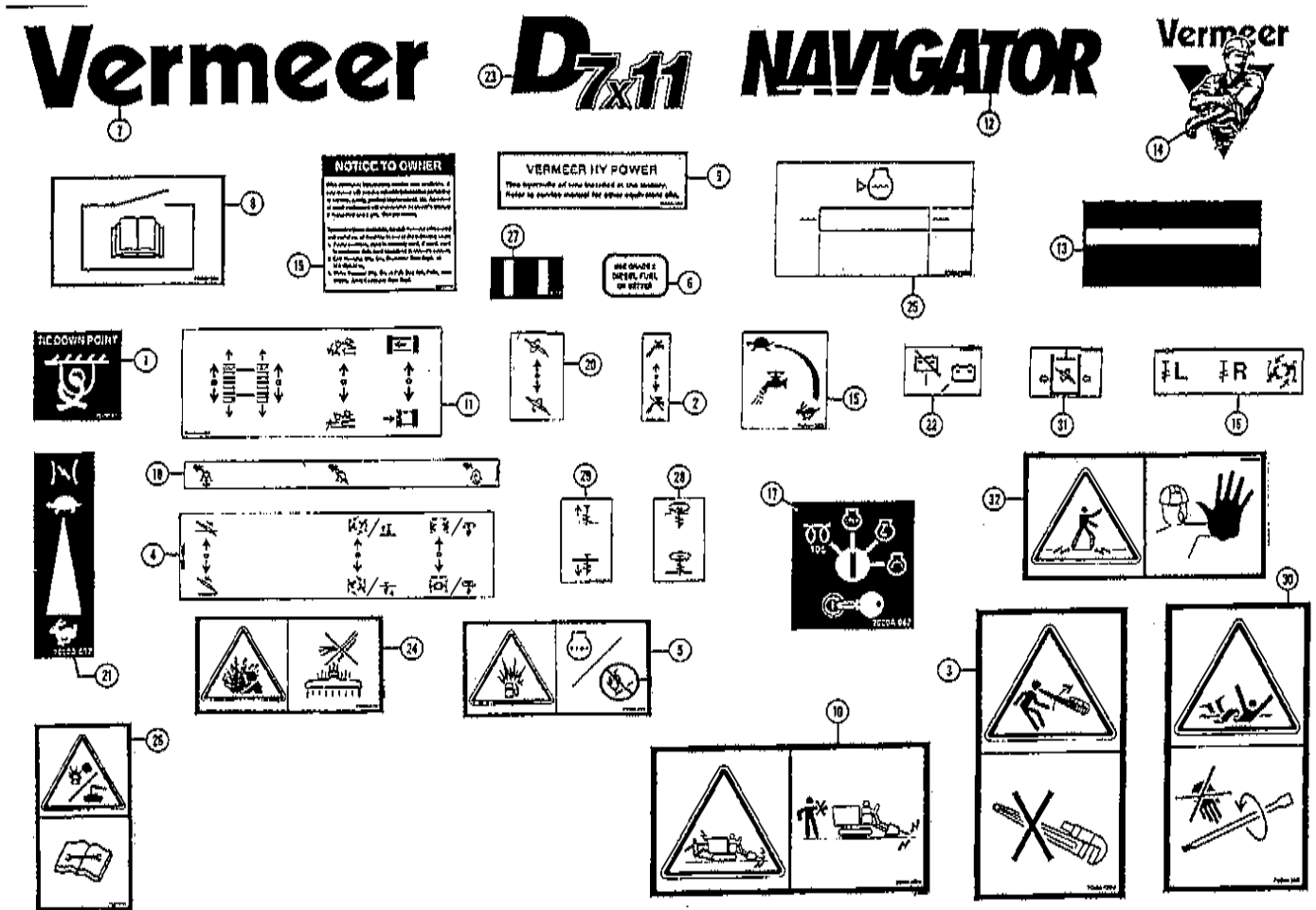


| REF. NO. | PART NO. | DESCRIPTION | QTY. |
|----------|----------|--------------------------------------|------|
| 1-19 | 1 | 4475-010 BOLT-3/8-16X1 FLANGE WHIZ | 4 |
| 1-19 | 2 | 219413-001 POINTER | 1 |
| 1-19 | 3 | 4536-001 NUT - 3/8-16 FLG. WHIZ LOCK | 2 |
| 1-19 | 4 | 219412-001 POINTER | 1 |

DECAL ASSEMBLY (INTERNATIONAL)

Figure 1-20

Revised November 1996 due to addition of figure to manual.

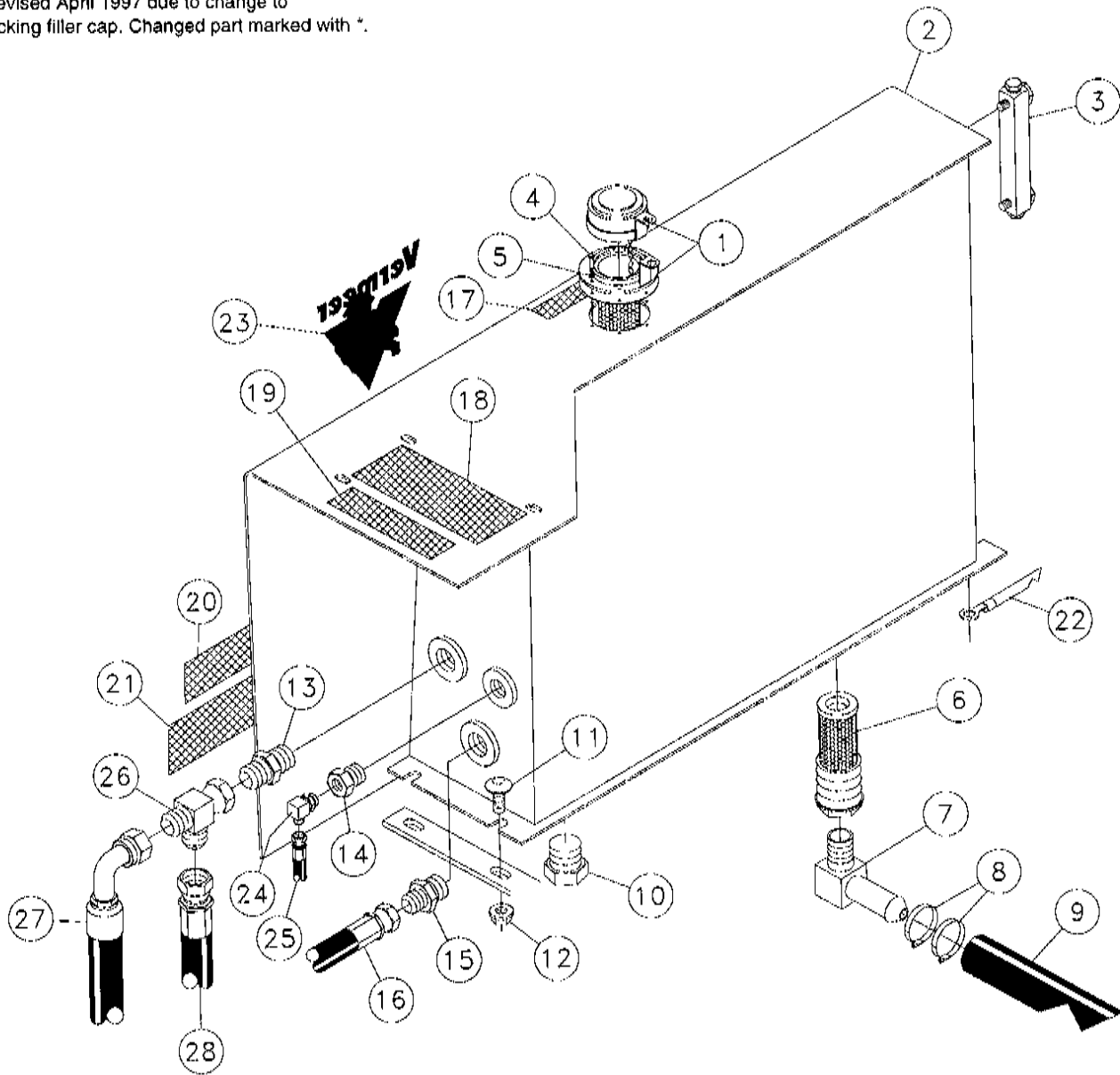


| REF. NO. | PART NO. | DESCRIPTION | QTY. | REF. NO. | PART NO. | DESCRIPTION | QTY. | | |
|----------|----------|-------------|--|----------|----------|-------------|------------|---|---|
| 1-20 | 1 | 70000-834 | DECAL-TIE DOWN POINT | 4 | 1-20 | 18 | 7000A-061 | DECAL-CONTROLS | 1 |
| 1-20 | 2 | 7000A-034 | DECAL-WATER PUMP | 2 | 1-20 | 19 | 2326-940 | DECAL-NOTICE TO OWNERS | 1 |
| 1-20 | 3 | 7001A-394 | DECAL - WARNING D50 | 1 | 1-20 | 20 | 7000A-036 | DECAL-CONTROLS | 1 |
| 1-20 | 4 | 7001A-556 | DECAL-CONTROLS | 1 | 1-20 | 21 | 7000A-087 | DECAL-THROTTLE (UNDERGROUND) | 1 |
| 1-20 | 5 | 23261-324 | DECAL-WARNING | 1 | 1-20 | 22 | 7001A-477 | DECAL BATTERY SWITCH (UG) | 1 |
| 1-20 | 6 | 70000-096 | DECAL-DIESEL (AT/UND) | 1 | 1-20 | 23 | 7000A-405 | DECAL - MODEL D7X11 | 1 |
| 1-20 | 7 | 2326-619 | DECAL- VERMEER 3 X 15 | 1 | 1-20 | 24 | 23261-315 | DECAL-WARNING | 1 |
| 1-20 | 8 | 70001-294 | DECAL-OPERATOR'S MANUAL | 1 | 1-20 | 25 | 2326-920 | DECAL-COOLANT BOTTLE LEVEL | 1 |
| 1-20 | 9 | 70000-394 | DECAL-VERMEER HY POWER | 1 | 1-20 | 26 | 70001-044 | DECAL-WARNING | 1 |
| 1-20 | 10 | 7001A-576 | DECAL-DANGER | 1 | 1-20 | 27 | 2326-142 | DECAL-INDICATOR | 1 |
| 1-20 | 11 | 7000A-014 | DECAL-CONTROLS 6 X 1 5/8 | 1 | 1-20 | 28 | 7001A-306 | DECAL-STAKE DRIVER ROTAT.(UND) | 1 |
| 1-20 | 12 | 7000A-010 | DECAL-MODEL NAVIGATOR(MEDIUM) | 2 | 1-20 | 29 | 7001A-305 | DECAL-STAKE DRIVE THRUST (UND) | 1 |
| 1-20 | 13 | 70000-774 | DECAL 2 1/2" VERMEER STRIPE (SPECIFY LENGTH) | 7.00' | 1-20 | 30 | 7001A-393 | DECAL - DANGER D28,D50 | 1 |
| 1-20 | 14 | 70000-784 | DECAL 6" VERMEER LOGO | 2 | 1-20 | 31 | 7001A-526 | DECAL-ROTATION PRESSURE (UG) | 1 |
| 1-20 | 15 | 7001A-355 | DECAL-DRILLING FLUIDSPEED(UND) | 1 | 1-20 | 32 | 70001-530 | DECAL-WARNING (NAVIGATORS) | 4 |
| 1-20 | 16 | 7001A-527 | DECAL-DRIVE ENGAGE | 1 | | | | | |
| 1-20 | 17 | 7000A-062 | DECAL-IGNITION | 1 | | | | | |
| | | | | | | | 901228-061 | DECAL ASSY-D7X11 NAV (INT'L) (INC. REF. 1-32) | |

HYDRAULIC OIL TANK ASSEMBLY

Figure 2-3

Revised April 1997 due to change to locking filler cap. Changed part marked with *.

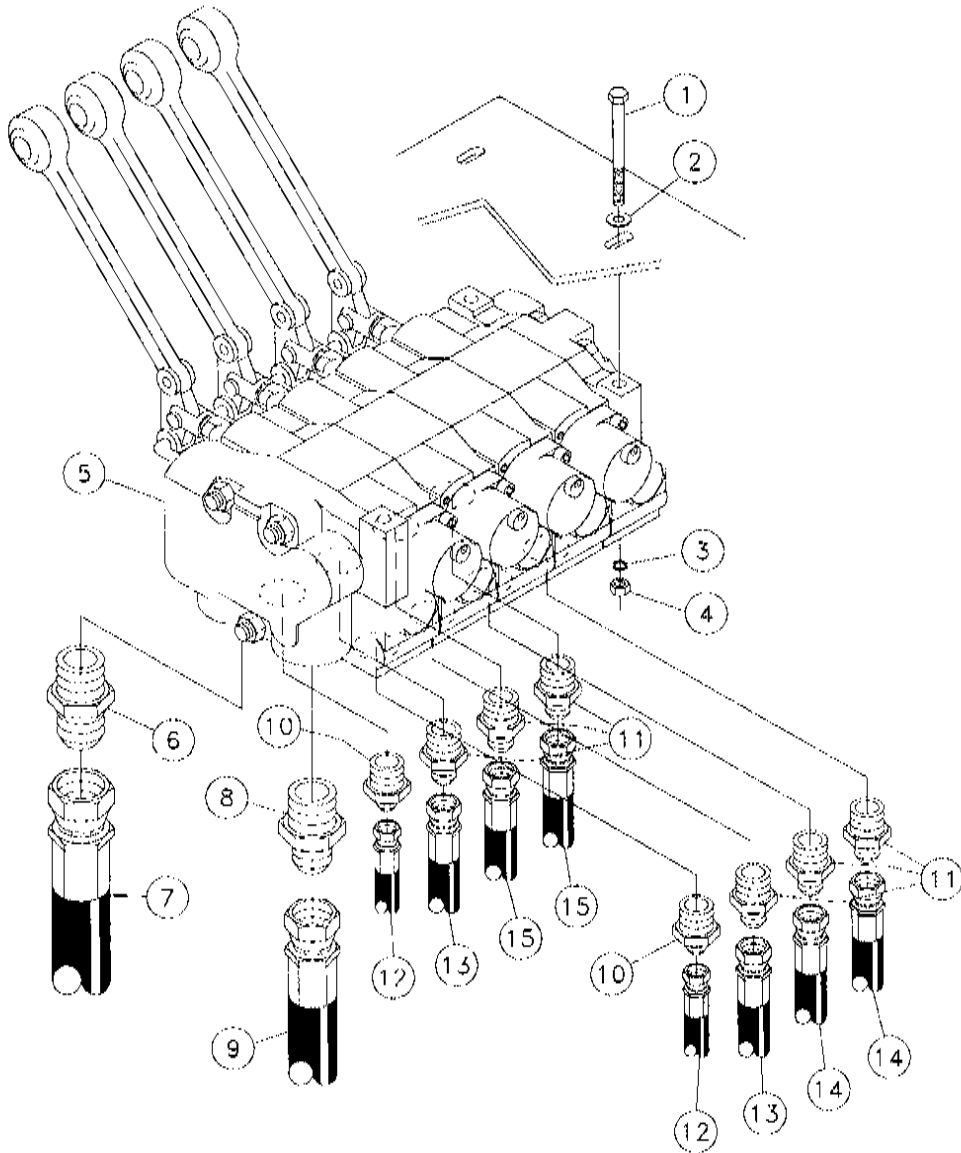


| REF. NO. | PART NO. | DESCRIPTION | QTY. | REF. NO. | PART NO. | DESCRIPTION | QTY. |
|----------|----------|--|------|----------|-----------|--|------|
| 2-3 | 1 | *236313-001 FILLER CAP-LOCKING | 1 | 2-3 | 16 | 53842-481 HOSE-5/8X10 1/4 10FSJICST/90300 | 1 |
| 2-3 | 2 | 229267-001 TANK-HYDRAULIC OIL | 1 | 2-3 | 17 | 70000-394 DECAL-VERMEER HY POWER | 1 |
| 2-3 | 3 | 81590-001 GAUGE-SIGHT | 1 | 2-3 | 18 | 7000A-576 DECAL-DANGER | 1 |
| 2-3 | 4 | 533-006 SCREW-10-24X3/4"RD HD MAC SLT | 6 | | 700IA-576 | DECAL-DANGER (INTERNATIONAL) | 1 |
| 2-3 | 5 | 480-001 WASHER-3/16 S/T LOCK | 6 | 2-3 | 19 | 7000A-014 DECAL-CONTROLS | 1 |
| 2-3 | 6 | 900041-001 STRAINER MS100-0 | 1 | 2-3 | 20 | 7000A-010 DECAL-MODEL NAVIGATOR(MEDIUM) | 1 |
| 2-3 | 7 | 904819-001 INSERT-1"NPT X 1 1/4"-90 HOSE | 1 | 2-3 | 21 | 70000-774 DECAL 2 1/2"VERMEER STRIPE | A/R |
| 2-3 | 8 | 1580-007 HOSE CLAMP - 1 1/2" | 2 | | | (SPECIFY LENGTH) | |
| 2-3 | 9 | 902424-036 HOSE 1 1/4" SUCTION 33.00 | 1 | 2-3 | 22 | 219381-001 GROUND STRAP 1/2" | 1 |
| 2-3 | 10 | 81214-001 PLUG- 16M | 1 | 2-3 | 23 | 70000-784 DECAL 6"VERMEER LOGO | 1 |
| 2-3 | 11 | 377-012 BOLT-1/2-13X1 1/4"GD#5CARRIAGE | 4 | 2-3 | 24 | 57950-001 FITTING-6M X 4 JIC 90 DEG. | 1 |
| 2-3 | 12 | 1809-001 NUT-1/2 SM FLGE CENTER LOCK | 4 | 2-3 | 25 | 53843-241 HOSE-1/4X34 4FS JIC 3000 PSI | 1 |
| 2-3 | 13 | 229396-001 VALVE-85 PSI INLINE CHECK | 1 | 2-3 | 26 | 59417-001 FITTING-12JIC SW RUN TEE | 1 |
| 2-3 | 14 | 57967-001 10M-6F O-RING BUSHING | 1 | 2-3 | 27 | 53845-789 HOSE-3/4"X28 12FS JIC ST/90 (3000) | 1 |
| 2-3 | 15 | 53854-001 12M O-RING-10M JIC ST. | 1 | 2-3 | 28 | 53845-805 HOSE-3/4"X28.5" 12FS JIC ST/45 (100R2) | 1 |

CONTROL VALVE ASSEMBLY (GROUND DRIVE)

Figure 2-4

Revised November 1996 due to hose length change. Changed part marked with *.

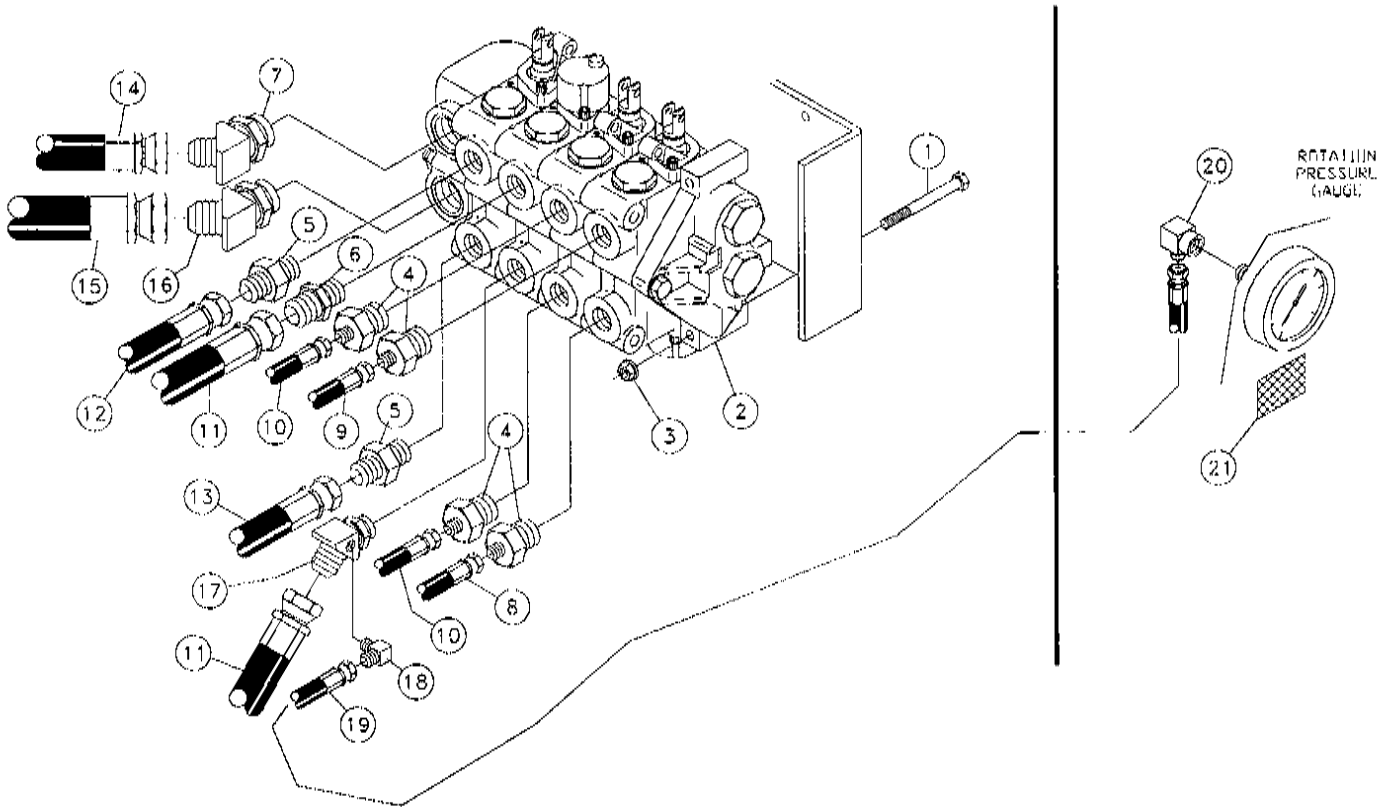


| <u>REF. NO.</u> | <u>PART NO.</u> | <u>DESCRIPTION</u> | <u>QTY.</u> |
|-----------------|-----------------|---|-------------|
| 2-4 | 1 | 351-030 5/16-18X3" GRADE #5 HEX BOLT | 3 |
| 2-4 | 2 | 485-005 WASHER-5/16 FLAT | 3 |
| 2-4 | 3 | 480-005 WASHER-5/16 S/T LOCK | 3 |
| 2-4 | 4 | 406-001 NUT-5/16 NC HEX | 3 |
| 2-4 | 5 | 229251-001 VALVE-V20 4 SECTION (BREAKDOWN FIG. 2-21) | 1 |
| 2-4 | 6 | 53828-001 12M X12M JIC ST. ADAPTER | 1 |
| 2-4 | 7 | 53845-549 HOSE-3/4X36 12FS JIC 3000 PSI | 1 |
| 2-4 | 8 | 53854-001 12M O-RING-10M JIC ST. | 1 |
| 2-4 | 9 | 53842-489 HOSE 5/8X27 10FS JIC ST 3000PSI | 1 |
| 2-4 | 10 | 53657-001 FITTING-8M OR X 4M JIC ST. | 2 |
| 2-4 | 11 | 60247-001 FITTING-8M X 6M JIC ST. | 6 |
| 2-4 | 12 | 53843-231 HOSE-1/4X66 4FS JIC 3000 PSI | 2 |
| 2-4 | 13 | 57940-027 3/8X60 6FS JIC(100R1) | 2 |
| 2-4 | 14 | *57940-163 HOSE-3/8X8" 6FS JIC ST/ST (100R2) | 2 |
| 2-4 | 15 | 57940-699 HOSE-3/8X7" 6FS JIC ST/ST | 2 |

CONTROL VALVE ASSEMBLY (THRUST/PULLBACK/ROTATION)

Figure 2-5

Revised April 1996 due to fitting & hose updates. Changed/added parts marked with *.

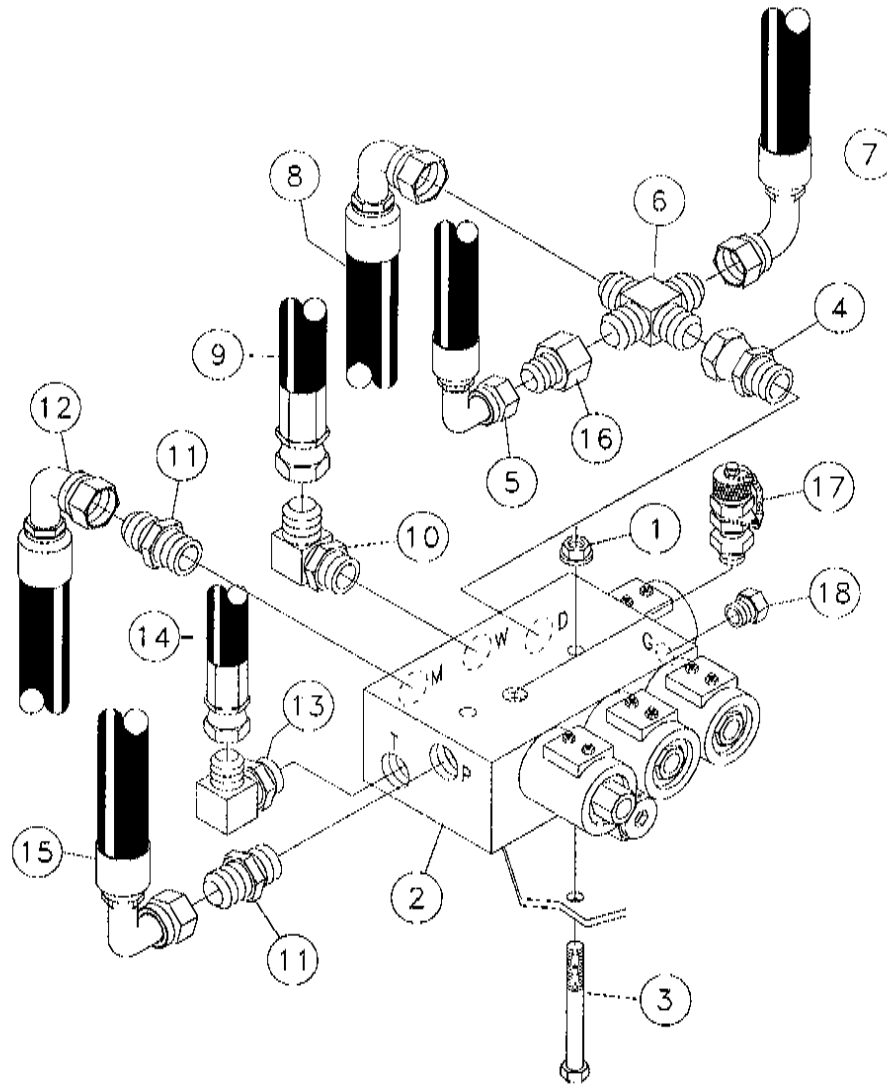


| REF. NO. | PART NO. | DESCRIPTION | QTY. | REF. NO. | PART NO. | DESCRIPTION | QTY. | | |
|----------|----------|-------------|--|----------|----------|-------------|-------------|-------------------------------------|---|
| 2-5 | 1 | 351-030 | 5/16-18X3*GRADE #5 HEX BOLT | 3 | 2-5 | 11 | 53842-493 | HOSE 5/8X215 10FSJICST 3000PSI | 2 |
| 2-5 | 2 | 219120-001 | VALVE-V20 4 SECTION (BREAKDOWN FIG. 2-20) | 1 | 2-5 | 12 | 53844-651 | HOSE 1/2X11 8FSJICST 3000PSI | 1 |
| 2-5 | 3 | 1809-007 | NUT - 5/16-18 SM.FLGE.T.L. | 3 | 2-5 | 13 | 53844-653 | HOSE 1/2X11 8FSJICST/45D 3000# | 1 |
| 2-5 | 4 | 53657-001 | FITTING-8M OR X 4M JIC ST. | 4 | 2-5 | 14 | 53842-355 | HOSE-5/8X110 10FS JIC 3000 PSI | 1 |
| 2-5 | 5 | 53824-001 | FITTING-#8M O-RING-#8M JIC ST. | 2 | 2-5 | 15 | 53845-803 | HOSE 3/4X101 12FSJICST/90D3000 | 1 |
| 2-5 | 6 | *67850-001 | FITTING-8M X 10MJIC STR | 1 | 2-5 | 16 | 60718-001 | FITTING-12M X 12M JIC 45 DEG. | 1 |
| 2-5 | 7 | 88659-001 | FITTING-12M ORINGX10MJIC 45DEG | 1 | 2-5 | 17 | *229403-001 | FITTING-PRESSURE CHECK | 1 |
| 2-5 | 8 | 53843-363 | HOSE-1/4X110 4FS JIC SAE-100R1 | 1 | 2-5 | 18 | *68014-001 | FITTING-1/8"M NPT X 4M JIC 90 ELBOW | 1 |
| 2-5 | 9 | 53843-573 | HOSE-1/4 X 112 4FS IC 3000 PSI | 1 | 2-5 | 19 | *53843-489 | HOSE-1/4*X100" 4F SJIC ST/ST | 1 |
| 2-5 | 10 | 53843-589 | HOSE-1/4X92 4FS JIC 3000PSI | 2 | 2-5 | 20 | *81665-001 | FITTING-1/4"F X 4M JIC 90 ELBOW | 1 |
| | | | | | 2-5 | 21 | *700IA-526 | DECAL-ROTATION PRESSURE | 1 |

SOLENOID VALVE ASSEMBLY

Figure 2-6

Revised April 1996 due to hose updates.
Changed parts marked with *.

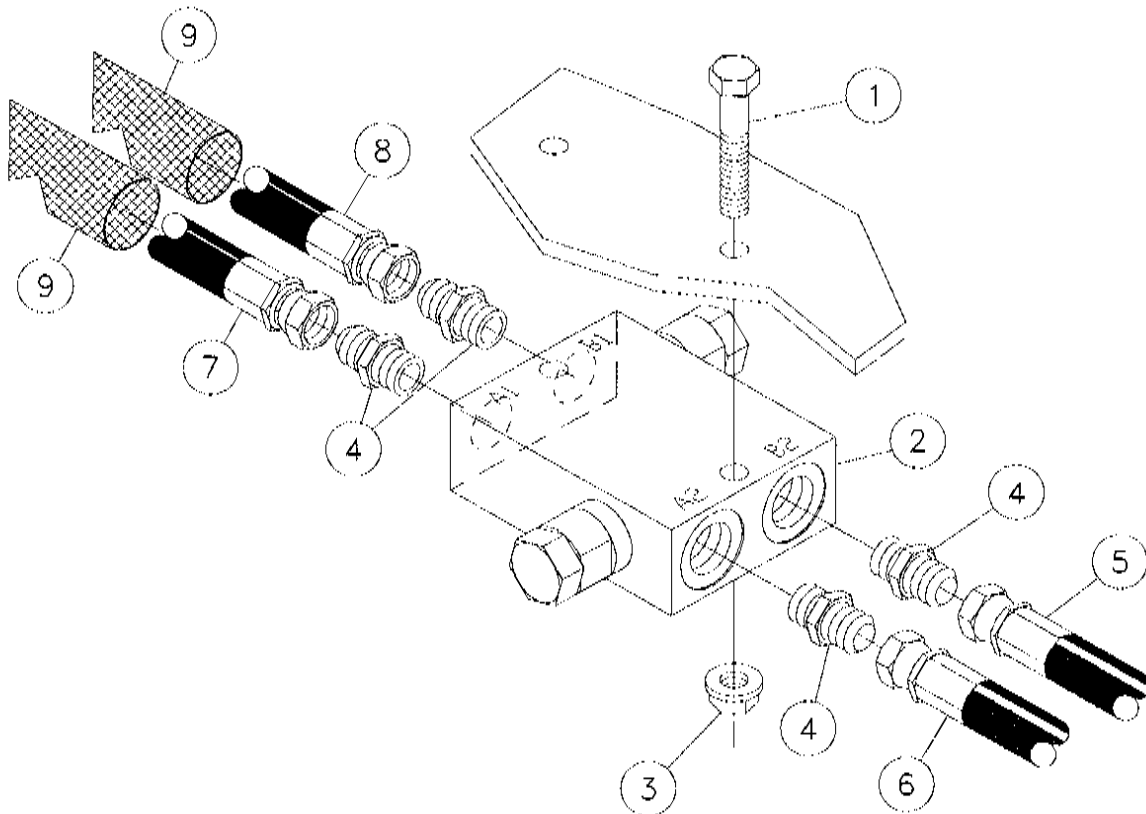


| REF. NO. | PART NO. | DESCRIPTION | QTY. |
|----------|----------|---|------|
| 2-6 | 1 | 4536-001 NUT - 3/8-16 FLG. WHIZ LOCK | 2 |
| 2-6 | 2 | 227246-001 VALVE-SOLENOID (BREAKDOWN FIG. 2-29) | 1 |
| 2-6 | 3 | 354-032 3/8-16X3 1/4*GRADE#5 HEX BOLT | 2 |
| 2-6 | 4 | 59404-001 10MX10FS JIC ST THRD ADAPTER | 1 |
| 2-6 | 5 | 53844-661 HOSE 1/2X68 8FSJICST/90D | 1 |
| 2-6 | 6 | 130450-001 FITTING - 10M JIC CROSS | 1 |
| 2-6 | 7 | 53842-485 HOSE 5/8X16 10FSJICST/90D | 1 |
| 2-6 | 8 | 53842-355 HOSE-5/8X110 10FS JIC ST/90 (3000) | 1 |
| 2-6 | 9 | *53842-501 HOSE 5/8X11 10FSJICST/ST (3500) | 1 |
| 2-6 | 10 | 53829-001 #10M O-RING-#10M JIC 90 DEG. | 1 |
| 2-6 | 11 | 53827-001 FITT.-#10M O-RING-#10M JIC ST. | 2 |
| 2-6 | 12 | 53842-491 HOSE 5/8X45 10FSJICST/90D | 1 |
| 2-6 | 13 | 59407-001 8M JICX10M ADJ. 90 DEG.ELBOW | 1 |
| 2-6 | 14 | 53844-655 HOSE 1/2X27 8FSJICST/90D | 1 |
| 2-6 | 15 | *53842-499 HOSE 5/8X26 1/2 10FSST/90 (3500) | 1 |
| 2-6 | 16 | 86670-001 FITTING-ADAPT 10FJICX8MJIC RED | 1 |
| 2-6 | 17 | 72056-001 COUPLER-DIAG. | 1 |
| 2-6 | 18 | 5553-001 PLUG-#6M | 1 |

CROSSOVER RELIEF VALVE ASSEMBLY

Figure 2-7

Revised April 1996 due to relief valve
pressure setting update. Changed part marked with .

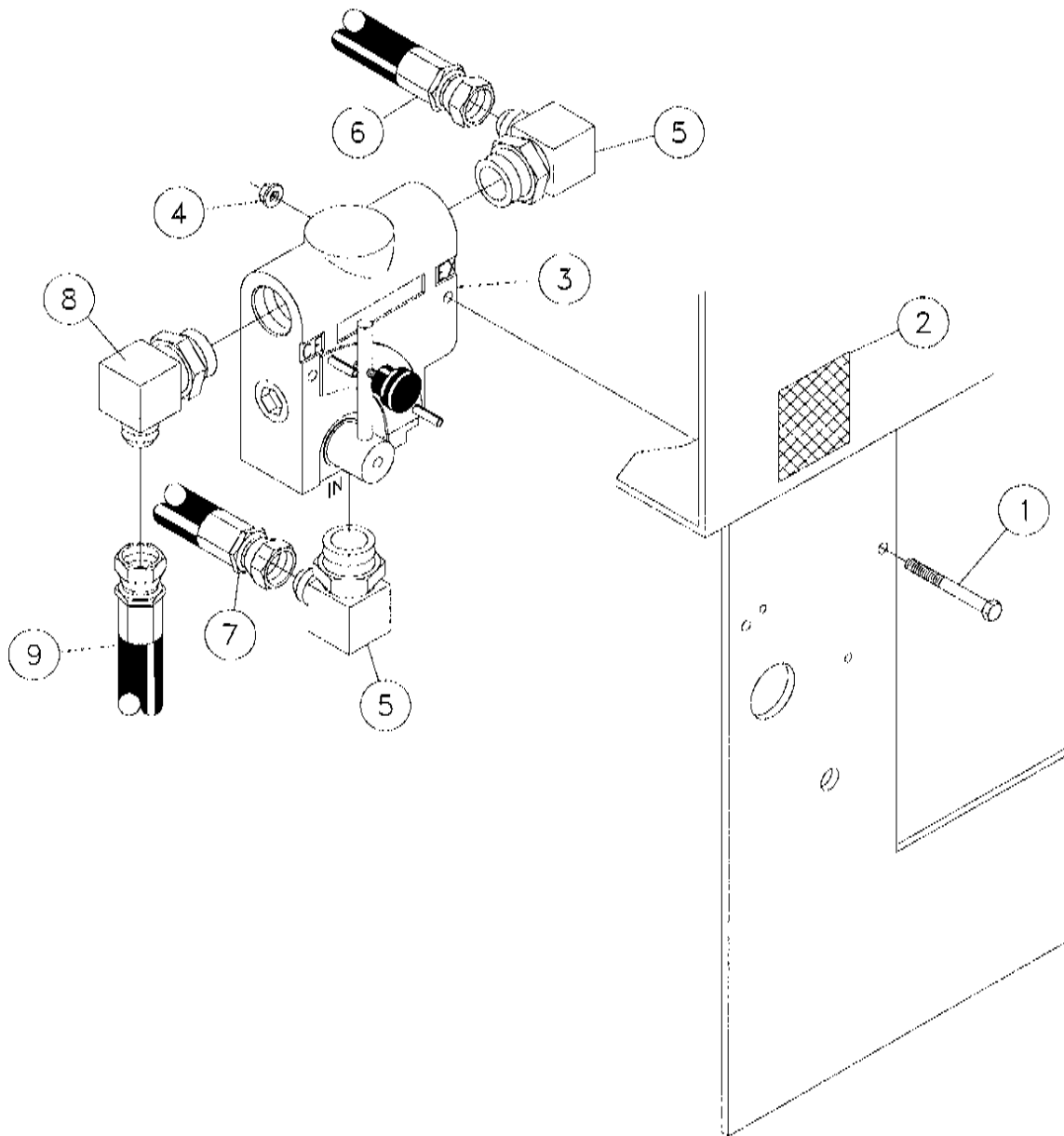


| REF. NO. | PART NO. | DESCRIPTION | QTY. |
|----------|----------|---|------|
| 2-7 | 1 | 3/8-16X2" GRADE#5 HEX BOLT | 2 |
| 2-7 | 2 | VALVE-RELIEF 2100/2750 PSI (BREAKDOWN FIG. 2-30) | 1 |
| 2-7 | 3 | NUT - 3/8-16 FLG. WHIZ LOCK | 2 |
| 2-7 | 4 | FITTING-#8M O-RING-#8M JIC ST. | 4 |
| 2-7 | 5 | HOSE 1/2X11 8FSJICST 3000PSI | 1 |
| 2-7 | 6 | HOSE 1/2X11 8FSJICST/45D 3000# | 1 |
| 2-7 | 7 | HOSE 1/2X43 8FSJICST 3000 PSI | 1 |
| 2-7 | 8 | HOSE 1/2X86 8FSJICST/90D 3000# | 1 |
| 2-7 | 9 | CORDURA SLEEVE 1.22ID (SPECIFY LENGTH) | 2 |

FLOW CONTROL VALVE ASSEMBLY

Figure 2-8

Revised November 1996 due to change in decal. Changed part marked with *.

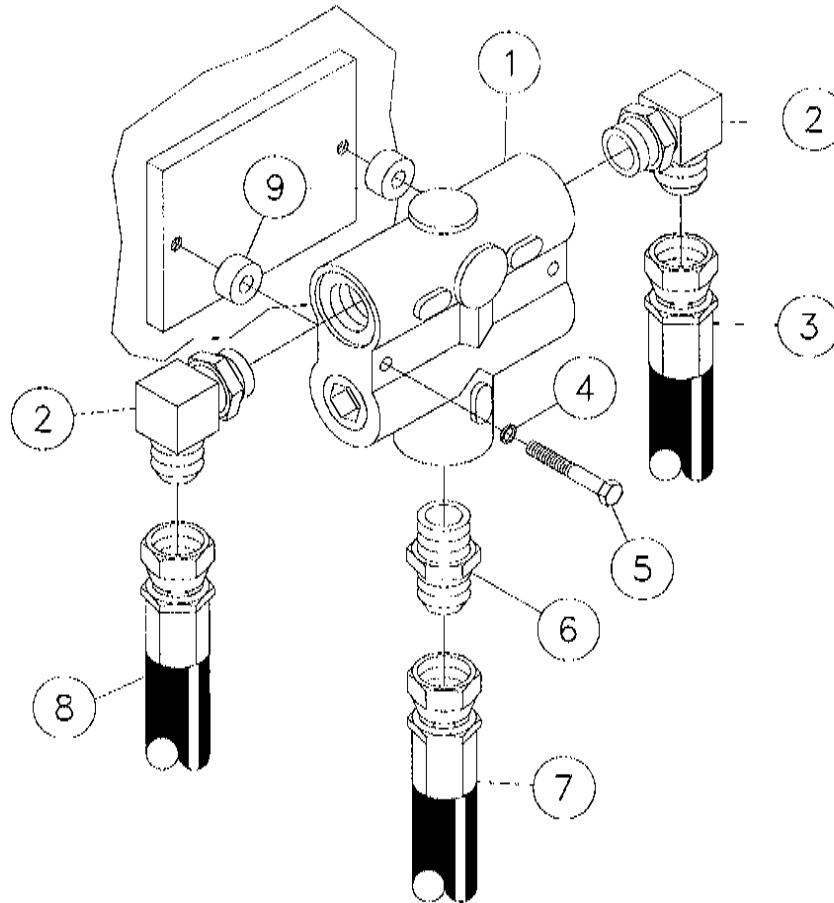


| REF. NO. | PART NO. | DESCRIPTION | QTY. |
|----------|----------|--|------|
| 2-8 | 1 | 350-024 1/4-20X2 1/2" GRADE #5 HEX BOLT | 2 |
| 2-8 | 2 | *7001A-355 DECAL-DRILLING FLUID SPEED | 1 |
| 2-8 | 3 | 234537-001 VALVE-FLOW CONTROL 16GPM (BREAKDOWN FIG. 2-27) | 1 |
| 2-8 | 4 | 405-001 NUT-1/4 NC FLG WHIZ LOCK | 2 |
| 2-8 | 5 | 59409-001 FITTING-12MX10M JIC 90 DEG. ELBOW | 2 |
| 2-8 | 6 | 53842-485 HOSE 5/8X16 10FSJICST/90D | 1 |
| 2-8 | 7 | 53842-501 HOSE 5/8X11 10FSJICST/ST 3500PSI | 1 |
| 2-8 | 8 | 57949-001 FITTING-12MX8M JIC 90 DEG. ELBOW | 1 |
| 2-8 | 9 | 53844-065 HOSE 1/2X68 8FSJIC ST /ST 3500PSI | 1 |

FLOW CONTROL VALVE ASSEMBLY

Figure 2-9

Revised April 1996 due to addition of spacers. Added part marked with *.

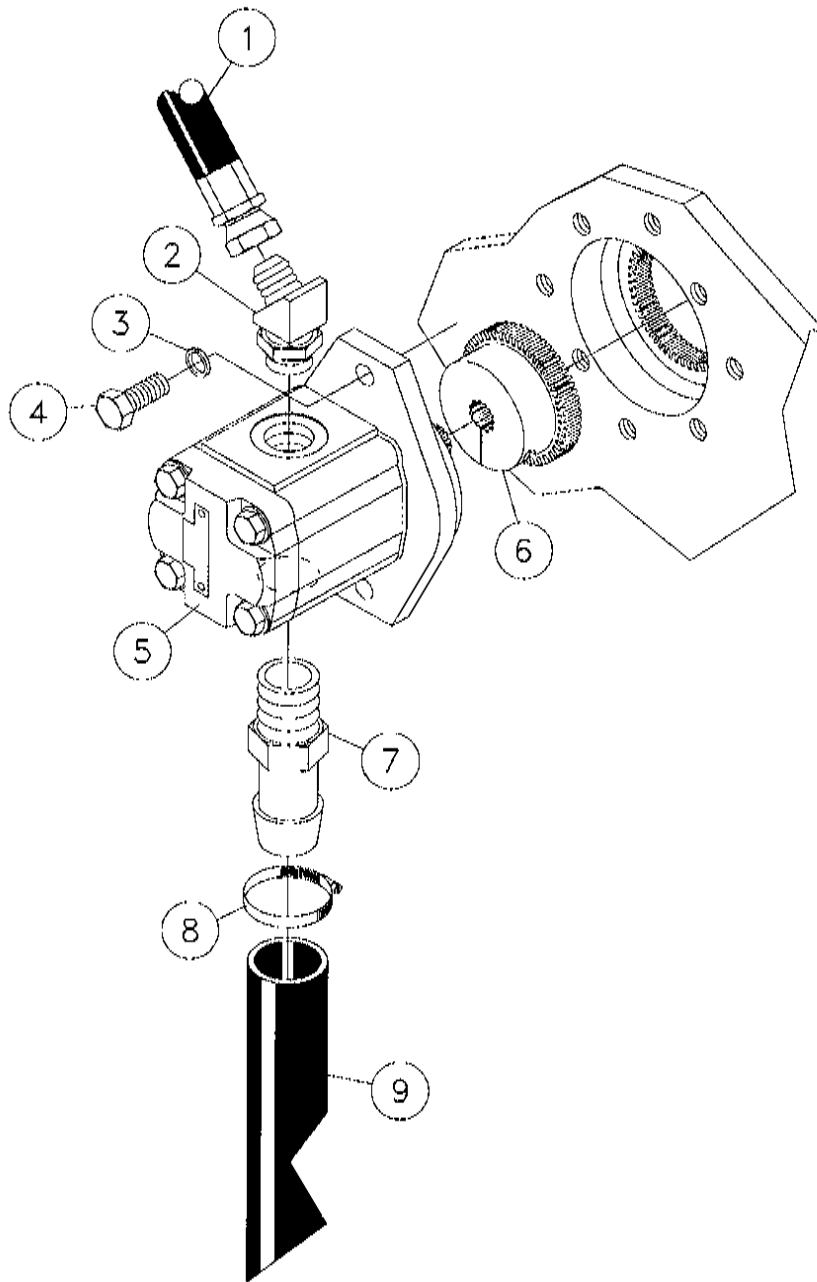


| <u>REF. NO.</u> | <u>PART NO.</u> | <u>DESCRIPTION</u> | <u>QTY.</u> |
|-----------------|-----------------|--|-------------|
| 2-9 | 1 | 229328-001 VALVE-FLOW DIVIDER (BREAKDOWN FIG. 2-28) | 1 |
| 2-9 | 2 | 53829-001 #10M O-RING-#10M JIC 90 DEG. | 2 |
| 2-9 | 3 | 53842-481 HOSE 5/8X10 1/4 10FSJICST/90300 | 1 |
| 2-9 | 4 | 480-003 WASHER-1/4 S/T LOCK | 2 |
| 2-9 | 5 | 350-016 1/4-20X1 3/4 GRADE#5 HEX BOLT | 2 |
| 2-9 | 6 | 53827-001 FITT.-#10M O-RING-#10M JIC ST. | 1 |
| 2-9 | 7 | 53842-491 HOSE 5/8X45 10FSJICST/90D# | 1 |
| 2-9 | 8 | 53842-489 HOSE 5/8X27 10FSJICST 3000PSI | 1 |
| 2-9 | 9 | *1075-027 TUBE-SPACER .75X.3125X.38 | 2 |

GEAR PUMP ASSEMBLY

Figure 2-10

Revised April 1996 due to hose update.
Changed part marked with *.

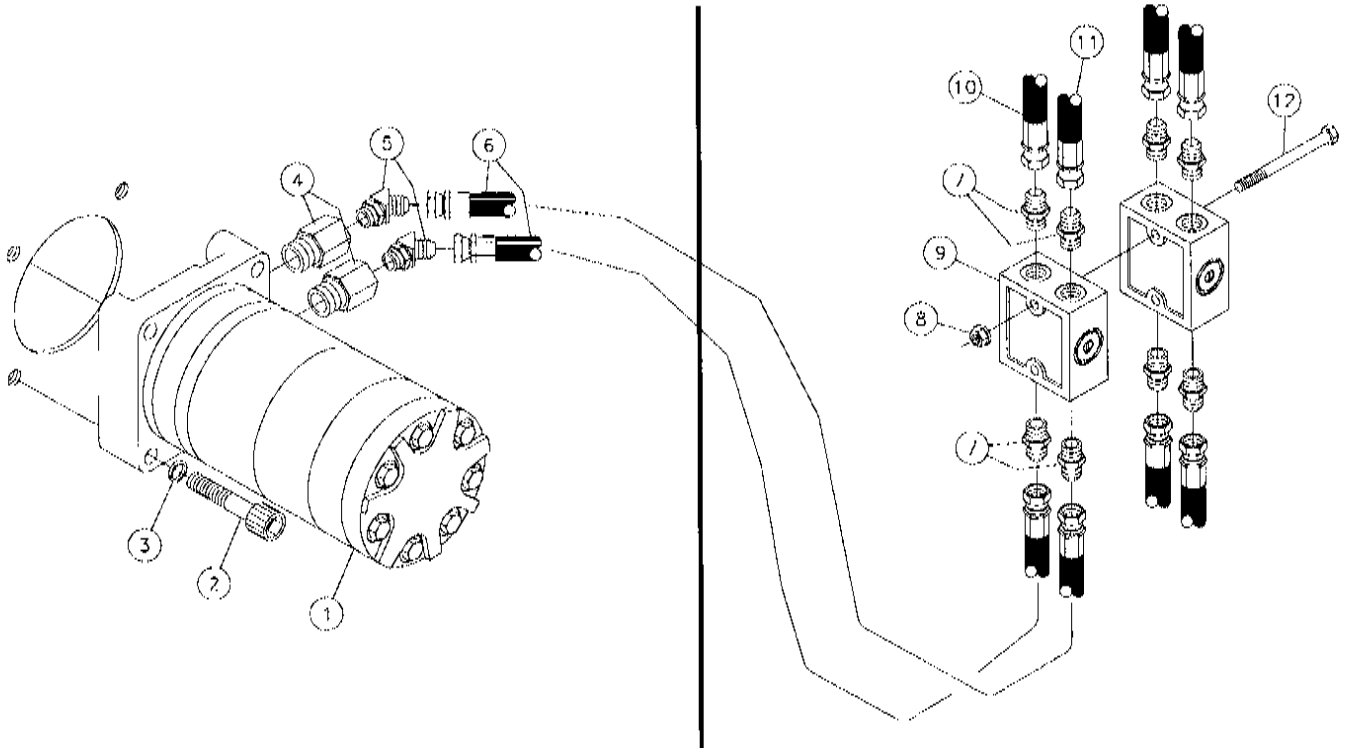


| REF. NO. | PART NO. | DESCRIPTION | QTY. |
|----------|----------|--|------|
| 2-10 | 1 | *53842-499 HOSE 5/8X26 1/2 10FSST/90D 3500 | 1 |
| 2-10 | 2 | 88659-001 FITTING-12M ORINGX10MJIC 45DEG | 1 |
| 2-10 | 3 | 480-011 WASHER-1/2 S/T LOCK | 2 |
| 2-10 | 4 | 358-012 BOLT-1/2-13 X 1 1/4 GR #5 HEX | 2 |
| 2-10 | 5 | 227238-001 PUMP-HYD 11T SPLINE 1.40 CID (BREAKDOWN FIG. 2-31) | 1 |
| 2-10 | 6 | 227239-001 HUB-11T SPLINE | 1 |
| 2-10 | 7 | 130451-001 FITTING 16M O-RING1 1/4HOSE IN | 1 |
| 2-10 | 8 | 1580-007 HOSE CLAMP - 1 1/2" | 1 |
| 2-10 | 9 | 902424-036 HOSE 1 1/4" SUCTION | 1 |

TRACK DRIVE MOTOR ASSEMBLY (LEFT)

Figure 2-11

Revised April 1996 due to addition of LOA valves & related fitting & hose updates. Changed/added parts marked with *.

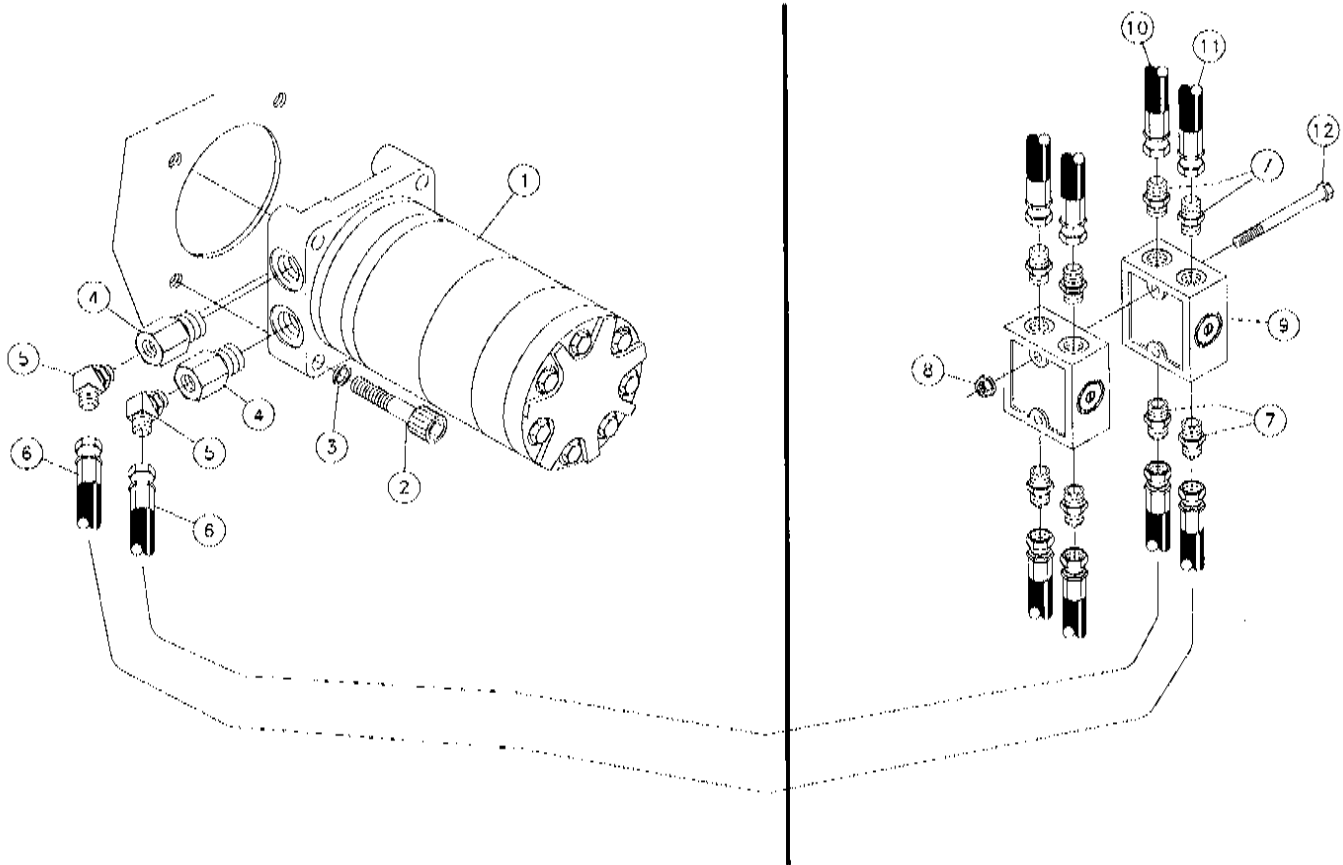


| REF. NO. | PART NO. | DESCRIPTION | QTY. |
|----------|----------|--|------|
| 2-11 | 1 | 213890-001 MOTOR-HYD. (BREAKDOWN FIG. 2-32) | 1 |
| 2-11 | 2 | 86881-001 SCREW-1/2-13X2 1/2 SOC.HD CAP | 4 |
| 2-11 | 3 | 480-011 WASHER-1/2 S/T LOCK | 4 |
| 2-11 | 4 | *57967-001 10MX6F ST.SOLID REDUCER | 2 |
| 2-11 | 5 | *65563-001 FITTING-6M X 6M JIC 45 ELBOW | 2 |
| 2-11 | 6 | *57940-293 HOSE-3/8X46 6FS JIC ST/ST 3000 PSI | 2 |
| 2-11 | 7 | *65565-001 FITTING-6MX6M JIC ST. ADAPTER | 4 |
| 2-11 | 8 | *408-001 NUT-5/16"-18 FLG WHIZ | 2 |
| 2-11 | 9 | *86668-001 VALVE-LOA-6-D (BREAKDOWN FIG. 2-38) | 1 |
| 2-11 | 10 | *57940-697 HOSE-3/8"X5 1/2" 6FS JIC ST/ST | 1 |
| 2-11 | 11 | *57940-699 HOSE-3/8"X7" 6FS JIC ST/ST | 1 |
| 2-11 | 12 | *351-034 BOLT-5/16"-18X3 1/2" | 2 |

TRACK DRIVE MOTOR ASSEMBLY (RIGHT)

Figure 2-12

Revised November 1996 due to hose length change. Changed part marked with *.

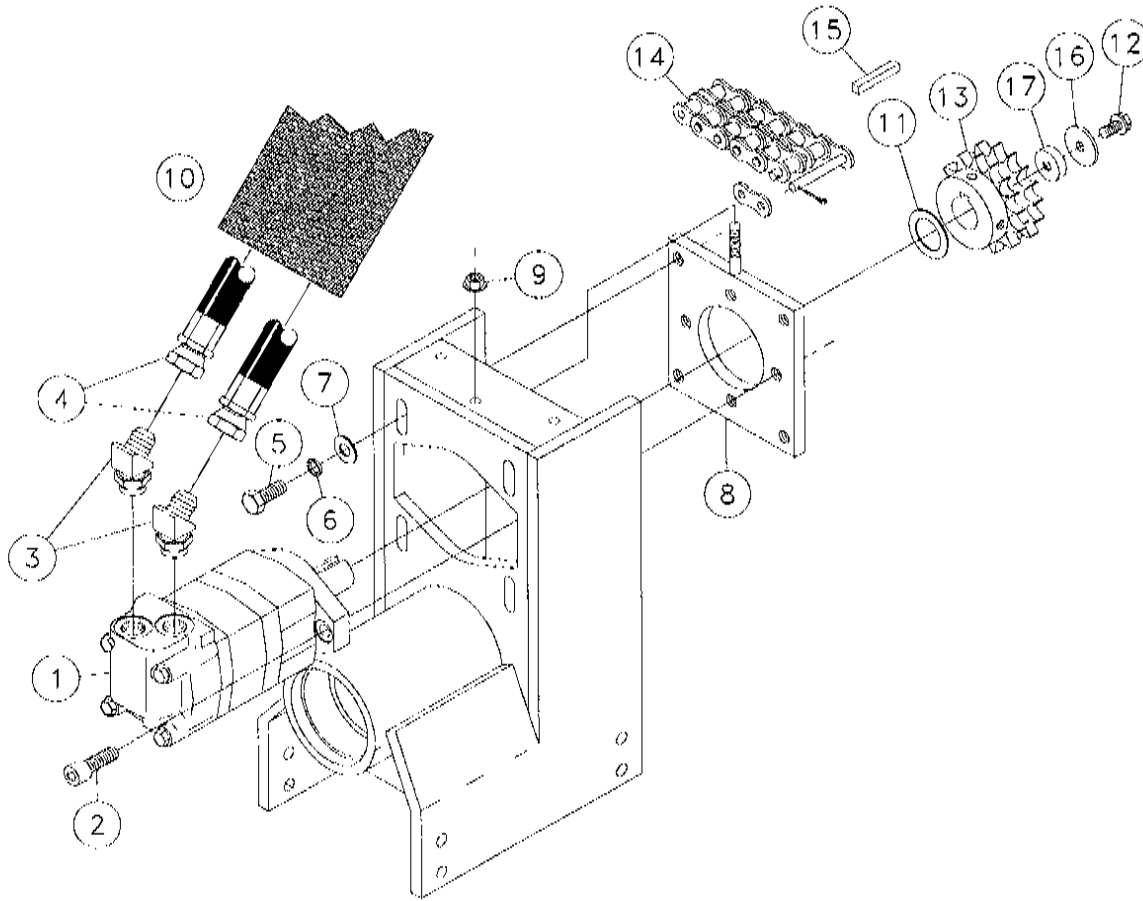


| REF. NO. | PART NO. | DESCRIPTION | QTY. |
|----------|----------|---|------|
| 2-12 | 1 | 213890-001 MOTOR-HYD. (BREAKDOWN FIG. 2-32) | 1 |
| 2-12 | 2 | 86881-001 SCREW-1/2-13X2 1/2 SOC.HD CAP | 4 |
| 2-12 | 3 | 480-011 WASHER-1/2 S/T LOCK | 4 |
| 2-12 | 4 | 57967-001 10MX6F ST.SOLID REDUCER | 2 |
| 2-12 | 5 | 65563-001 FITTING-6M X 6M JIC 45 ELBOW | 2 |
| 2-12 | 6 | 57940-259 HOSE-3/8X42 6FS JIC ST/ST 3000 PSI | 2 |
| 2-12 | 7 | 65565-001 FITTING-6MX6M JIC ST. ADAPT | 4 |
| 2-12 | 8 | 408-001 NUT-5/16"-18 FLG WHIZ | 2 |
| 2-12 | 9 | 86668-001 VALVE-LOA-6-D (BREAKDOWN FIG. 2-38) | 1 |
| 2-12 | 10 | *57940-163 HOSE-3/8"X8" 6FS JIC ST/ST (100R2) | 1 |
| 2-12 | 11 | 57940-699 HOSE-3/8"X7" 6FS JIC ST/ST | 1 |
| 2-12 | 12 | 351-034 BOLT-5/16"-18X3 1/2" | 2 |

ROTATION MOTOR ASSEMBLY

Figure 2-13

Revised November 1996 due to spacer updates. Aaded part marked with *.

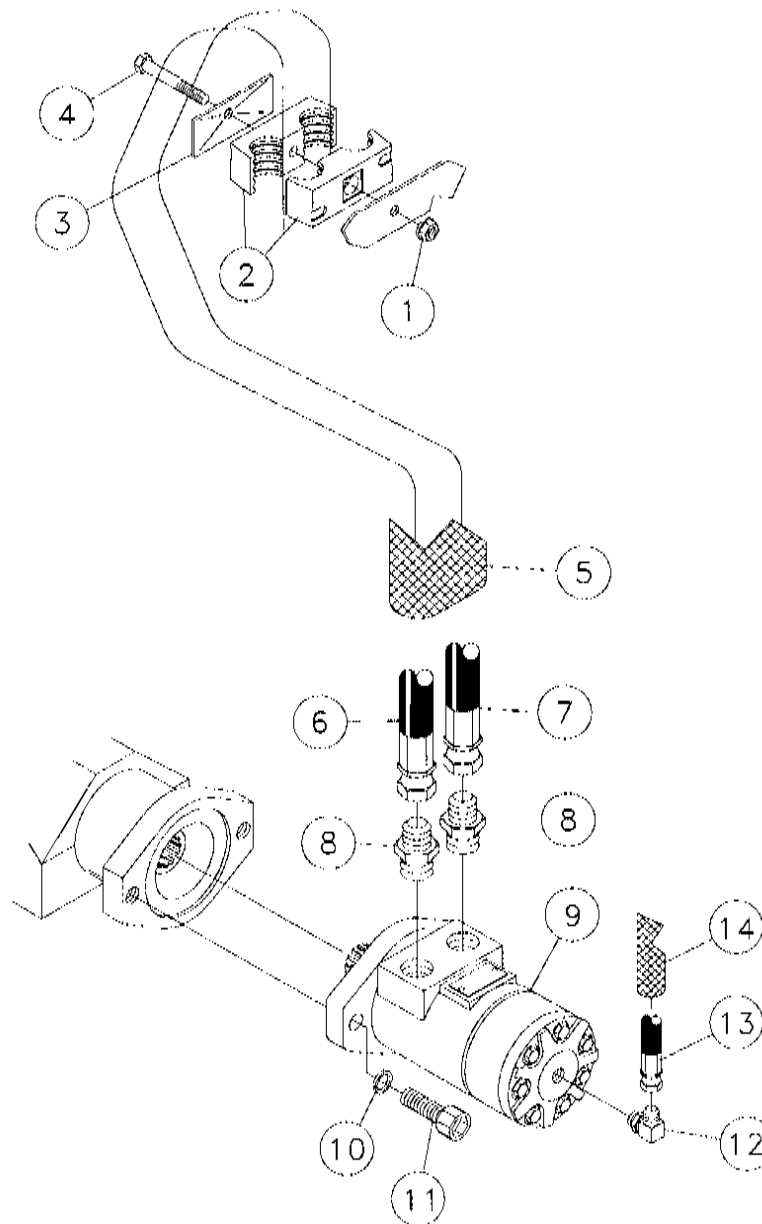


| REF. NO. | PART NO. | DESCRIPTION | QTY. |
|----------|----------|---|------|
| 2-13 | 1 | 224591-001 MOTOR ASSEMBLY-HYD. (BREAKDOWN FIG. 2-33) | 1 |
| 2-13 | 2 | 127718-012 CAPSCREW-1/2-20X1 1/4 SOC. HD. | 2 |
| 2-13 | 3 | 56725-001 FITTING-10MX10M JIC 45 DEG. | 2 |
| 2-13 | 4 | 53842-493 HOSE 5/8X215 10FS.JICST 3000PSI | 2 |
| 2-13 | 5 | 383-012 1/2-20X1 1/4"GRADE#8 HEX BOLT | 4 |
| 2-13 | 6 | 480-011 WASHER-1/2 S/T LOCK | 4 |
| 2-13 | 7 | 485-011 WASHER-1/2 FLAT | 4 |
| 2-13 | 8 | 215704-001 PLATE-MOTOR | 1 |
| 2-13 | 9 | 1809-001 NUT-1/2 SM FLGE CENTER LOCK | 1 |
| 2-13 | 10 | 53840-001 CORDURA SLEEVE-1.81 DI (SPECIFY LENGTH) | 1 |
| 2-13 | 11 | 483-007 WASHER-1 7/8X1 1/4X14 GA M.B. | A/R |
| 2-13 | 12 | 4475-006 BOLT-3/8-16X3/4 FLG WHIZ | 1 |
| 2-13 | 13 | 234685-001 SPROCKET-D60HB14 | 1 |
| 2-13 | 14 | 231766-032 CHAIN-60-2H 32 P W/C | 1 |
| | | 231766-003 LINK-60-2H CONNECTOR | |
| | | 231766-005 LINK-60-2H ROLLER | |
| 2-13 | 15 | 218253-001 HKEY-5/16X5/16-2.00 | 1 |
| 2-13 | 16 | 901406-001 BRAKE SLUG | 1 |
| 2-13 | 17 | *236275-001 SPACER-DRIVE HEAD SPROCKET | 1 |

WATER PUMP MOTOR ASSEMBLY

Figure 2-14

Revised November 1996 due to hyd.
Motor update (Serial No. 560.)

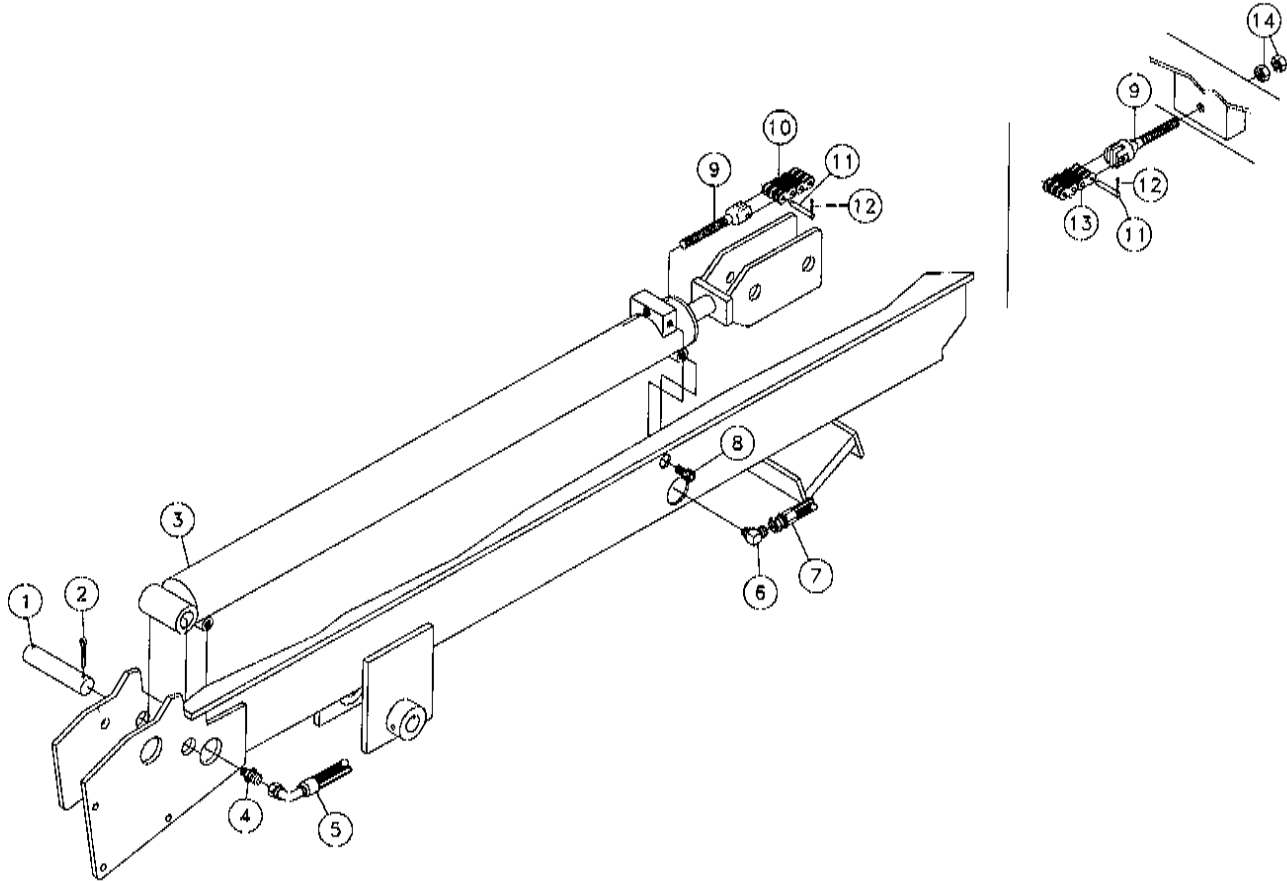


| REF. NO. | PART NO. | DESCRIPTION | QTY. |
|----------|----------|--|------|
| 2-14 | 1 | 1809-007 NUT - 5/16-18 SM.FLGE.T.L. | 1 |
| 2-14 | 2 | 96716-003 CLAMP-1"DIA.HOLES TWIN (PAIR) | 1 |
| 2-14 | 3 | 67846-003 PLATE-TWIN COVER | 1 |
| 2-14 | 4 | 351-022 BOLT-5/16-18X2 1/4"GRADE#5 HEX | 1 |
| 2-14 | 5 | 53840-001 CORDURA SLEEVE-.090WALL1.81 DI | 1 |
| 2-14 | 6 | 53844-661 HOSE 1/2X68 8FSJICST/90D 3000# | 1 |
| 2-14 | 7 | 53844-065 HOSE-1/2X68 8FS JIC (100R2) | 1 |
| 2-14 | 8 | 53826-001 #10M O-RING-#8M JIC ST. | 2 |
| 2-14 | 9 | 234678-001 MOTOR-R SERIES 6.2 CID (BREAKDOWN FIG. 2-34) | 1 |
| 2-14 | 10 | 480-011 WASHER-1/2 S/T LOCK | 2 |
| 2-14 | 11 | 514-014 1/2-13X1 1/2" SOCKET HEAD BOLT | 2 |
| 2-14 | 12 | 59423-001 FIT-4M JICX4M ADJ.90 DEG.ELROW | 1 |
| 2-14 | 13 | 53843-241 HOSE-1/4X34 4FS JIC 3000 PSI | 1 |
| 2-14 | 14 | 83726-001 CORDURA SLEEVE-.090WALLX.71ID. (SPECIFY LENGTH) | 1 |

THRUST/PULLBACK CYLINDER ASSEMBLY

Figure 2-15

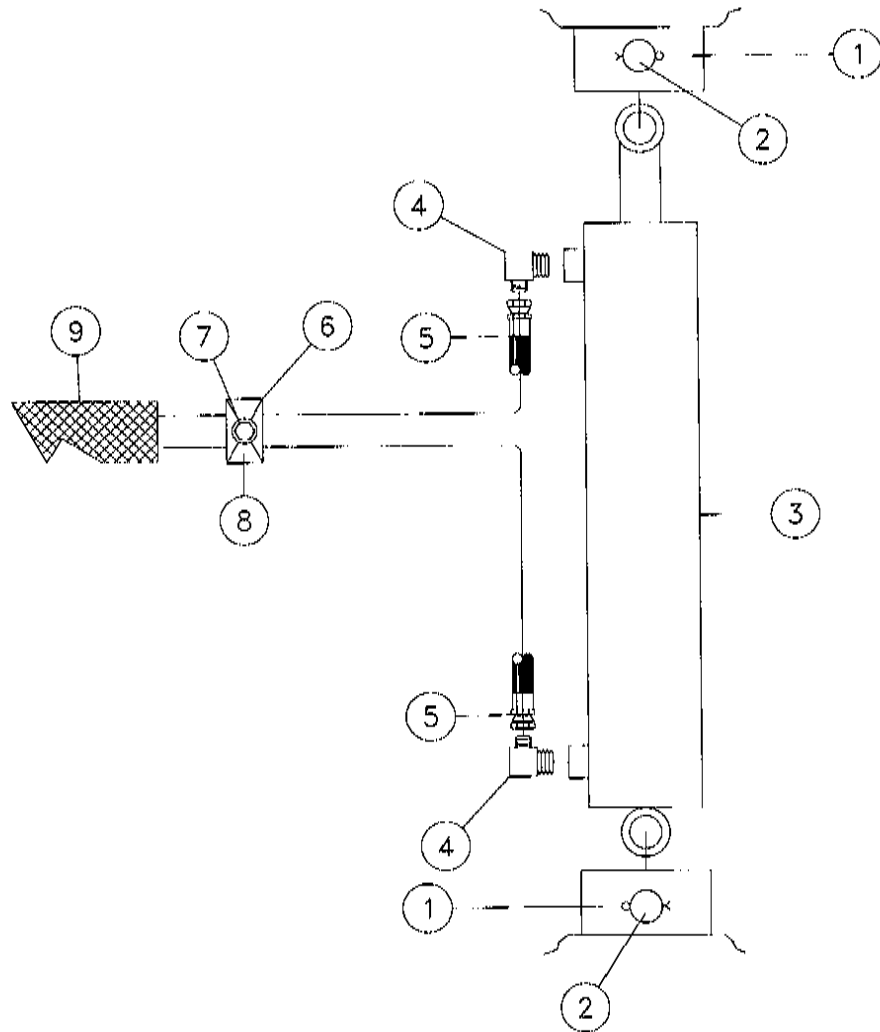
Revised April 1997 due to parts list correction. Changed part marked with *.



| REF. NO. | PART NO. | DESCRIPTION | QTY. |
|----------|----------|---|------|
| 2-15 | 1 | 54198-001 PIN-1 1/4X4 13/16" U.L. | 1 |
| 2-15 | 2 | 510-025 COTTER PIN-3/16" X 2" | 2 |
| 2-15 | 3 | 215657-001 CYL-3 X 42 (BREAKDOWN FIG. 2-37) | 1 |
| 2-15 | 4 | *86235-001 FITTING-6M X 8M JIC ST. ADAPTER | 1 |
| 2-15 | 5 | 53844-663 HOSE 1/2X86 8FSJICST/90D | 1 |
| 2-15 | 6 | 77811-001 FITTING-6MX8M JIC 90 DEG. | 1 |
| 2-15 | 7 | 53844-657 HOSE 1/2X43 8FSJICST 3000 PSI | 1 |
| 2-15 | 8 | 514-006 BOLT-1/2-13 X 3/4" SOCKET HEAD | 2 |
| 2-15 | 9 | 217249-001 ANCHOR-CHAIN | 2 |
| 2-15 | 10 | 219122-223 CHAIN-LEAF BL644 223P W/M ENDS | 1 |
| | | 219122-001 LINK-CONNECTOR BL644 | 0 |
| 2-15 | 11 | 215990-001 PIN-BL634 CHAIN .31 DIA.-1.72 | 2 |
| 2-15 | 12 | 510-045 PIN 1/16 X 1/2 COTTER | 4 |
| 2-15 | 13 | 219122-147 CHAIN-LEAF BL644 147P W/M ENDS | 1 |
| | | 219122-001 LINK-CONNECTOR BL644 | 0 |
| 2-15 | 14 | 75386-001 NUT-5/8-UNF GR.8 HEX | 2 |

TRACK EXTENSION CYLINDER ASSEMBLY

Figure 2-16

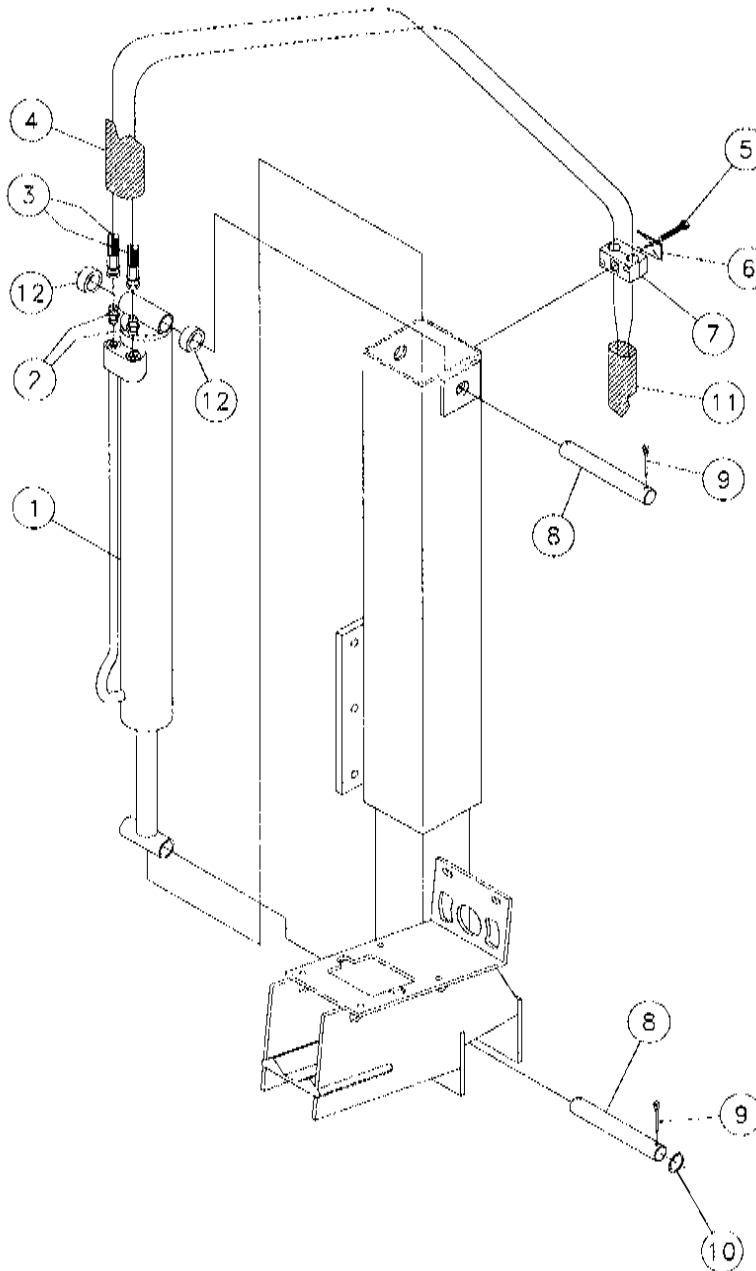


| REF. NO. | PART NO. | DESCRIPTION | QTY. |
|----------|----------|---|------|
| 2-16 | 1 | 510-019 COTTER PIN-5/32" X 2" | 4 |
| 2-16 | 2 | 211232-001 PIN-CYLINDER | 2 |
| 2-16 | 3 | 215768-001 CYLINDER-3X14 (BREAKDOWN FIG. 2-36) | 1 |
| 2-16 | 4 | 60722-001 3/8MX4M JIC 90 DEG. EL BOW | 2 |
| 2-16 | 5 | 53843-231 HOSE-1/4X66 4FS JIC 3000 PSI | 2 |
| 2-16 | 6 | 900036-001 DOUBLE HOSE CLAMP 1/2 | 1 |
| 2-16 | 7 | 351-030 5/16-18X3" GRADE #5 HEX BOLT | 1 |
| 2-16 | 8 | 96716-001 HOSE HOLDER-1" DOUBLE | 1 |
| 2-16 | 9 | 66094-001 CORDURA SLEEVE - 1.22ID (SPECIFY LENGTH) | 1 |

OUTRIGGER CYLINDER ASSEMBLY

Figure 2-17

Revised April 1996 due to addition of tube & washer update. Changed/added parts marked with .

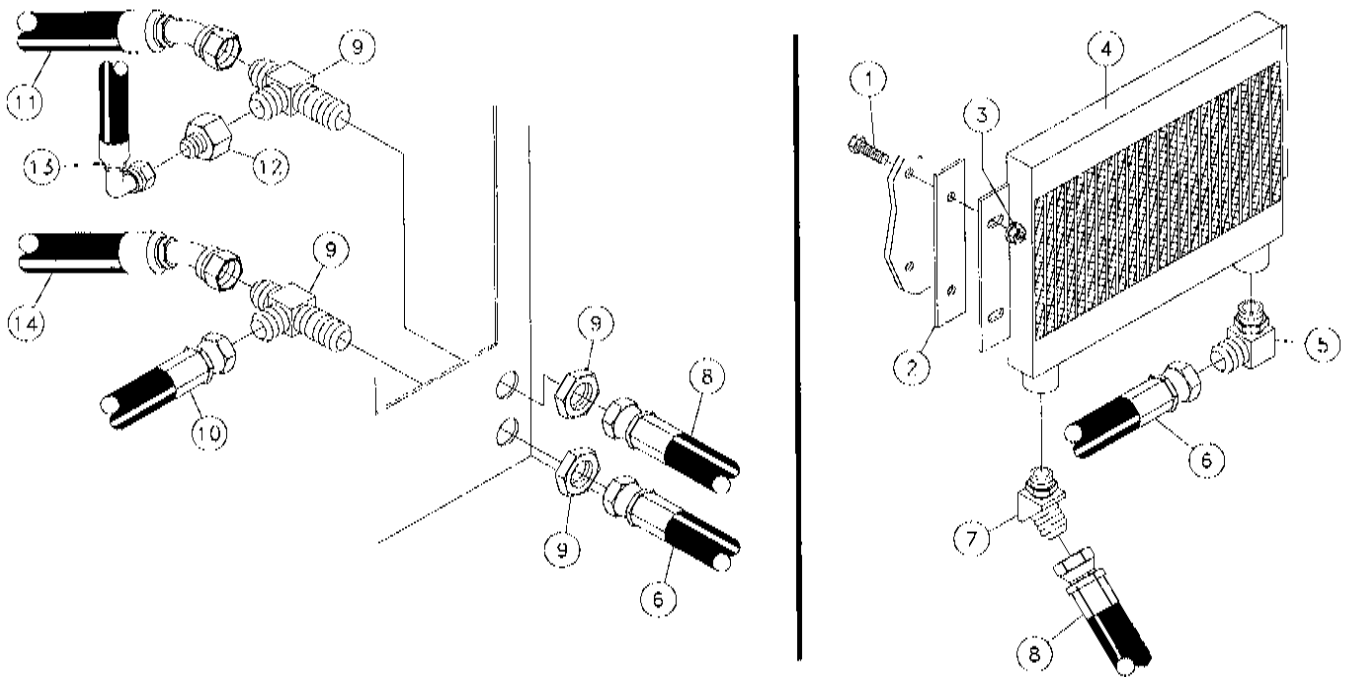


| REF. NO. | PART NO. | DESCRIPTION | QTY. |
|----------|----------|---|------|
| 2-17 | 1 | 217178-001 CYL-2 1/2X24 (BREAKDOWN FIG. 2-35) | 1 |
| 2-17 | 2 | 65565-001 FITTING-6M X 6M JIC ST. | 2 |
| 2-17 | 3 | 57940-027 3/8X60 6FS JIC(100R1) | 2 |
| 2-17 | 4 | 69129-001 SLEEVE-CORDURA 1.59ID (SPECIFY LENGTH) | 1 |
| 2-17 | 5 | 351-012 BOLT-5/16"-18X1 1/4"GR5 HEX | 1 |
| 2-17 | 6 | 67846-003 PLATE-TWIN COVER | 1 |
| 2-17 | 7 | 900035-005 CLAMP-3/8" DOUBLE HOSE | 1 |
| 2-17 | 8 | 55617-001 PIN-CYLINDER | 2 |
| 2-17 | 9 | 510-023 COTTER PIN-3/16" X 1 3/4" | 4 |
| 2-17 | 10 | 483-005 WASHER-1 1/2X1X14 GA M.B. | 2 |
| 2-17 | 11 | 66094-001 CORDURA SLEEVE - 1.22ID (SPECIFY LENGTH) | 1 |
| 2-17 | 12 | 1095-033 TUBE-1 1/2" OD X 1/16" ID X .83 | 2 |

OIL COOLER ASSEMBLY

Figure 2-18

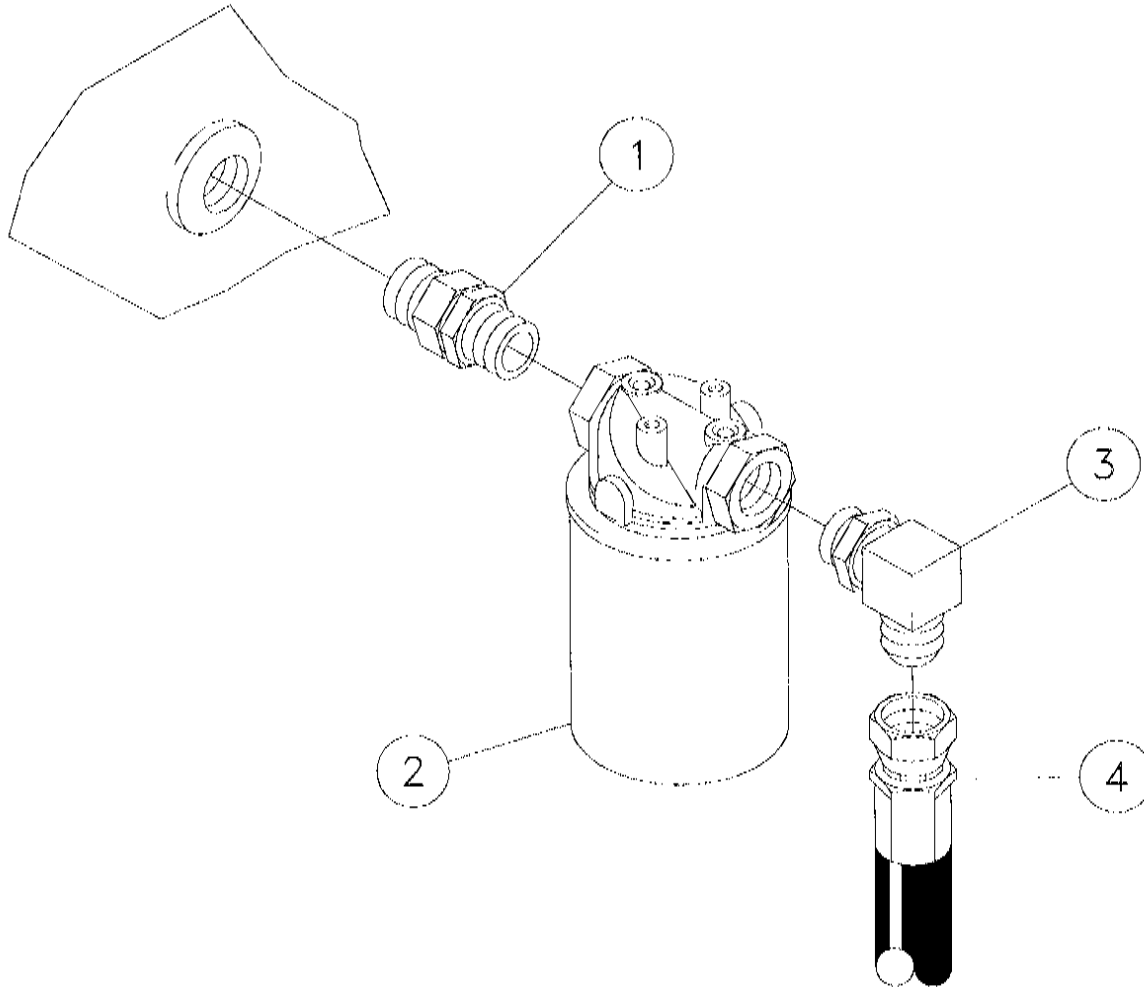
Revised November 1996 due to parts list correction. Changed part marked with *.



| <u>REF. NO.</u> | <u>PART NO.</u> | <u>DESCRIPTION</u> | <u>QTY.</u> |
|-----------------|-----------------|---|-------------|
| 2-18 | 1 | 354-012 BOLT-3/8 - 16X 1 1/4" GR5 HEX | 4 |
| 2-18 | 2 | 229339-001 RUBBER COOLER MOUNT | 2 |
| 2-18 | 3 | 4536-001 NUT - 3/8-16 FLG. WHIZ LOCK | 4 |
| 2-18 | 4 | *227242-001 OIL COOLER | 1 |
| 2-18 | 5 | 53871-001 #10M O-RING X 12M JIC 90 | 1 |
| 2-18 | 6 | 53845-053 HOSE-3/4" X 62" 12FS JIC (1000R2) | 1 |
| 2-18 | 7 | 67552-001 10MX12M JIC 45 DEG. | 1 |
| 2-18 | 8 | 53845-317 HOSE-3/4" X 53" 12FS JIC (100R1) | 1 |
| 2-18 | 9 | 96075-001 FITTING-12MJIC BLKHD RUN TEE | 2 |
| 2-18 | 10 | 53845-803 HOSE 3/4X101 12FSJICST/90D3000 | 1 |
| 2-18 | 11 | 53845-549 HOSE-3/4X36 12FS JIC 3000 PSI | 2 |
| 2-18 | 12 | 59421-001 12F JICX8M JIC ST REDUCER | 1 |
| 2-18 | 13 | 53844-655 HOSE 1/2X27 8FSJICST/90D 3000# | 1 |
| 2-18 | 14 | 53845-805 HOSE-3/4"X28.5 12FS JIC ST/45 D (100R2) | 1 |

OIL FILTER ASSEMBLY

Figure 2-19

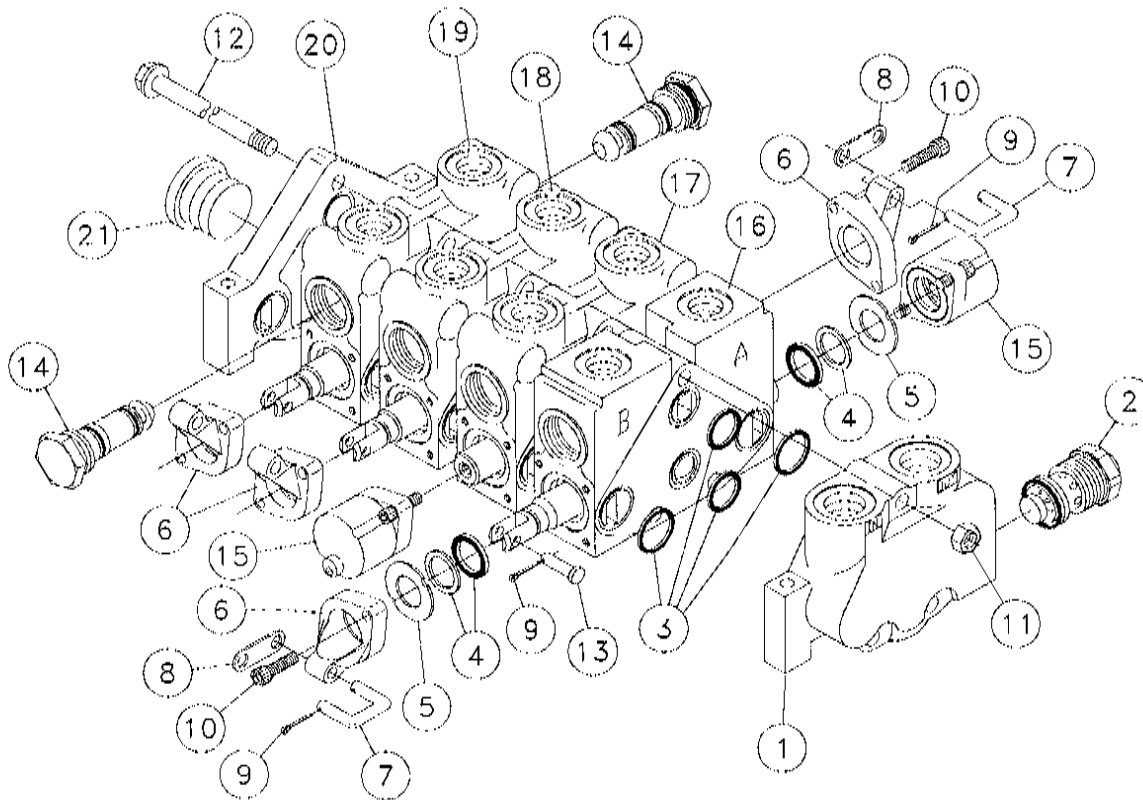


| <u>REF. NO.</u> | <u>PART NO.</u> | <u>DESCRIPTION</u> | <u>QTY.</u> |
|-----------------|-----------------|--|-------------|
| 2-19 | 1 | 712-001 12 M HEX NIPPLE | 1 |
| 2-19 | 2 | 900034-001 FILTER ASSY. (INC. ELEMENT) | 1 |
| | | 2683-001 ELEMENT | 1 |
| 2-19 | 3 | 59409-001 10M JICX12M ADJ. 90 DEG. ELBOW | 1 |
| 2-19 | 4 | 53845-549 HOSE-3/4X36 12FS JIC 3000 PSI | 1 |

CONTROL VALVE COMPONENTS

Figure 2-20

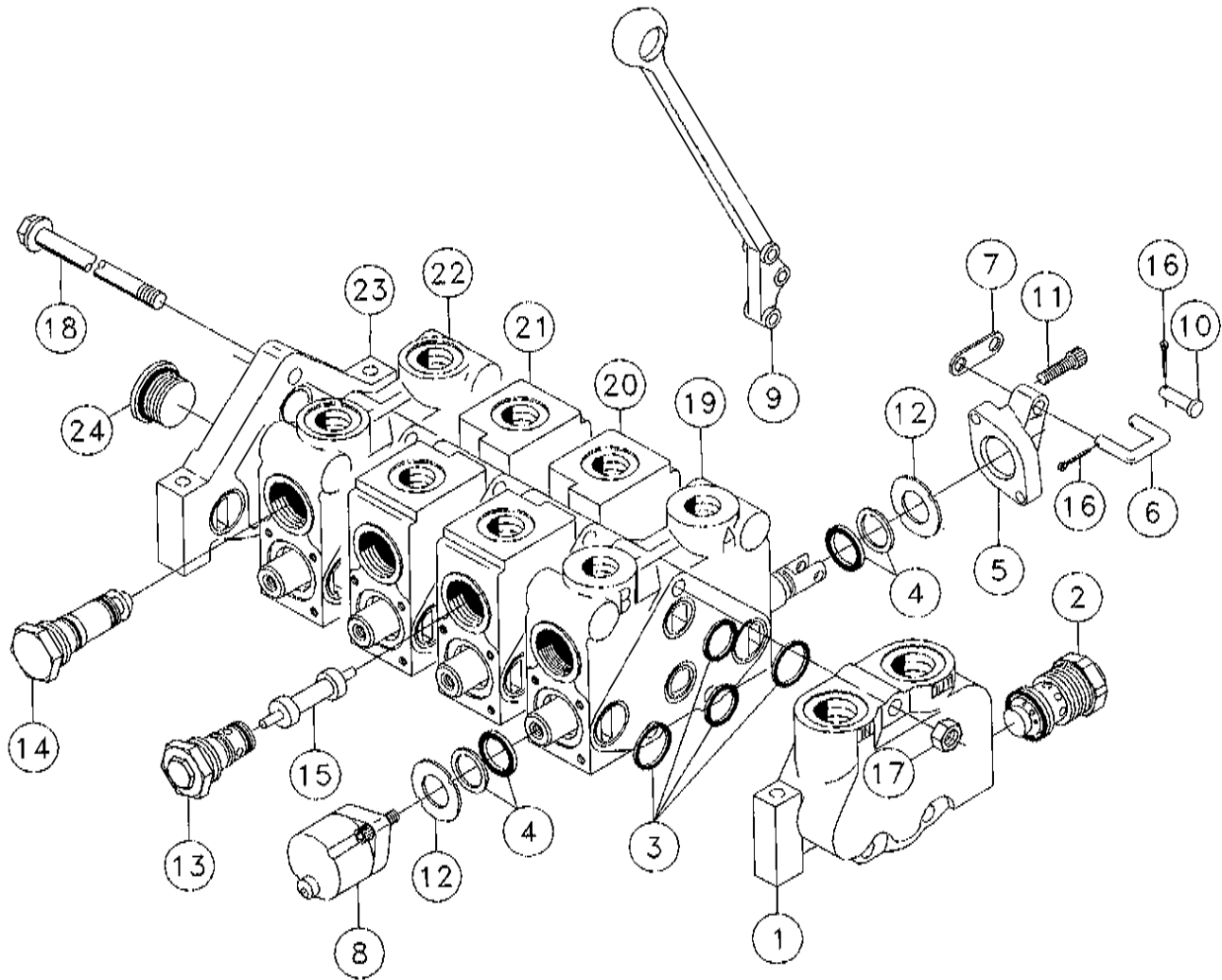
Revised November 1996 due to parts list correction. Changed part marked with *.



| REF. NO. | PART NO. | DESCRIPTION | QTY. | REF. NO. | PART NO. | DESCRIPTION | QTY. |
|----------|----------|--|------|----------|----------|---|------|
| 2-20 | 1 | *102975-001 COVER ASSY-LEFT (INC. REF. 2) | 1 | 2-20 | 16 | 219120-003 SECTION-VALVE (INC. ONE OF REF. 3, 4, 6, 7, 13, 15, TWO OF REF. 5, 10 & THREE OF REF. 9) | 1 |
| 2-20 | 2 | 901057-003 WH MAIN RELIEF (3000 PSI) (BREAKDOWN FIG. 2-25) | 1 | 2-20 | 17 | 219120-005 SECTION-VALVE (INC. ONE OF REF. 3, 4, 6, 7, 13, 15, TWO OF REF. 5, 10 & THREE OF REF. 9) | 1 |
| 2-20 | 3 | 89275-009 REPAIR KIT-SECTION | 5 | 2-20 | 18 | 219120-007 SECTION-VALVE (INC. ONE OF REF. 3, 4, 6, 7, 13, 15, TWO OF REF. 5, 10 & THREE OF REF. 9) | 1 |
| 2-20 | 4 | 3147-077 REPAIR KIT | 8 | 2-20 | 19 | 219120-009 SECTION-VALVE (INC. ONE OF REF. 3, 4, 6, 7, 13, 15, TWO OF REF. 5, 10 & THREE OF REF. 9) | 1 |
| 2-20 | 5 | 3147-081 RETAIN-PLT WASH | 8 | 2-20 | 20 | 219120-011 RIGHT COVER PLATE (INC. REF. 3 & 21) | 1 |
| 2-20 | 6 | 3147-029 BRACKET | 4 | 2-20 | 21 | 98108-011 PLUG-1 15/16-12 UNF SOCKH D | 1 |
| 2-20 | 7 | 4333-003 LINK- (INC. REF. 8) | 4 | | | 219120-001 VALVE-4 SPOOL CONTROL (INC. REF. 1-21) | |
| 2-20 | 8 | 4333-005 PLATE-LINK | 4 | | | | |
| 2-20 | 9 | 510-035 PIN-3/32 X 1/2 COTTER | 12 | | | | |
| 2-20 | 10 | 79704-001 SCREW-1/4-20X7/8 SOC HD SELFLK | 8 | | | | |
| 2-20 | 11 | 446-001 NUT-3/8 NF HEX | 3 | | | | |
| 2-20 | 12 | 14173-003 STUD KIT-4 SECT | 1 | | | | |
| 2-20 | 13 | 2110-003 PIN-CLEVIS 1/4X7/8 - 47/64 UL | 4 | | | | |
| 2-20 | 14 | 3147-035 PLUG-LOAD CHECK STEEL (BREAKDOWN FIG. 2-22) | 8 | | | | |
| 2-20 | 15 | 6149-005 POSITIONER-STD. (BREAKDOWN FIG. 2-23) | 4 | | | | |

CONTROL VALVE COMPONENTS

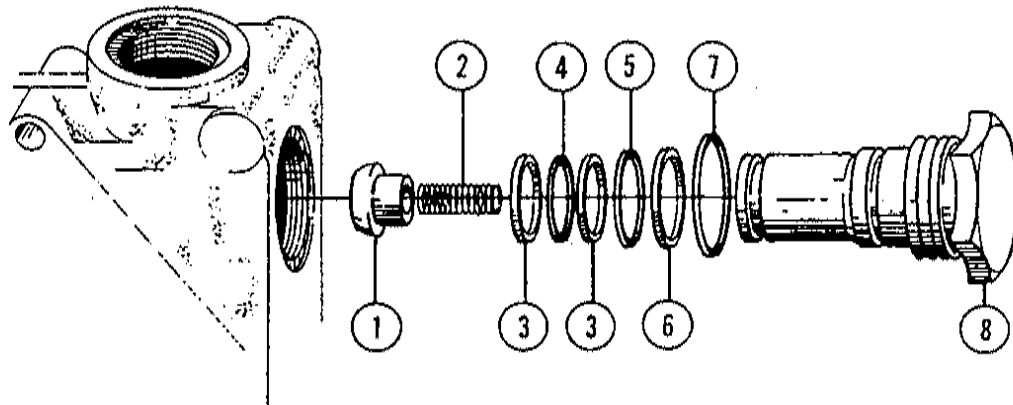
Figure 2-21



| REF. NO. | PART NO. | DESCRIPTION | QTY. | REF. NO. | PART NO. | DESCRIPTION | QTY. | |
|----------|----------|-------------|---|----------|----------|-------------|--|---|
| 2-21 | 1 | 102975-001 | LEFT COVER ASSY (INC. REF. 2) | 1 | 2-21 | 17 | 446-001 NUT-3/8 NF HEX | 3 |
| 2-21 | 2 | 901057-003 | WH MAIN RELIEF (3000PSI) (BREAKDOWN FIG. 2-25) | 1 | 2-21 | 18 | 14173-003 STUD KIT-4 SECT (INC. REF. 17) | 1 |
| 2-21 | 3 | 89275-009 | REPAIR KIT-SECTION | 5 | 2-21 | 19 | 229251-003 SECTION-PARALLEL (INC. ONE OF REF. 3-10, TWO OF REF. 11, 12, 14 & THREE OF REF. 16) | 1 |
| 2-21 | 4 | 3147-077 | REPAIR KIT GRESEN K-6035 | 4 | 2-21 | 20 | 229251-005 SECTION-PARALLEL (INC. ONE OF REF. 1-10, 15, TWO OF REF. 11-13 & THREE OF REF. 16) | 1 |
| 2-21 | 5 | 3147-029 | BRACKET GRESEN 1801-001 | 4 | 2-21 | 21 | 229251-007 SECTION-SERIES (INC. ONE OF REF. 3-10, TWO OF REF. 11, 12, 14 & THREE OF REF. 16) | 1 |
| 2-21 | 6 | 4333-003 | LINK (INC. REF. 7) | 4 | 2-21 | 22 | 229251-009 SECTION-TANDEM (INC. ONE OF REF. 3-10, TWO OF REF. 11, 12, 14 & THREE OF REF. 16) | 1 |
| 2-21 | 7 | 4333-005 | PLATE-LINK | 4 | 2-21 | 23 | 219120-011 RIGHT COVER PLATE (INC. REF. 3 & 24) | 1 |
| 2-21 | 8 | 6149-005 | POSITIONER-STD. (BREAKDOWN FIG. 2-23) | 4 | 2-21 | 24 | 98108-011 PLUG-1 15/16-12 UNF SOCKHD | 1 |
| 2-21 | 9 | 3147-039 | HANDLE - CP VALVE | 4 | | | | |
| 2-21 | 10 | 2110-003 | PIN-CLEVIS 1/4X7/8 - 47/64 UL | 4 | | | | |
| 2-21 | 11 | 79704-001 | SCREW-1/4-20X7/8 SOC HD SELFLK | 8 | | | | |
| 2-21 | 12 | 3147-081 | RETAIN-PLT WASH | 8 | | | | |
| 2-21 | 13 | 3175-003 | PILOT CHECK-CP LO (BREAKDOWN FIG. 2-26) | 2 | | | | |
| 2-21 | 14 | 3147-035 | PLUG-LOAD CHECK STEEL (BREAKDOWN FIG. 2-22) | 6 | | | | |
| 2-21 | 15 | 6149-059 | PISTON-UNLOCKING | 1 | | | | |
| 2-21 | 16 | 510-035 | PIN-3/32 X 1/2 COTTER | 12 | | | | |
| | | | | | | 229251-001 | VALVE-4 SPOOL CONTROL (INC. REF. 1-24) | |

LOAD CHECK PLUG COMPONENTS

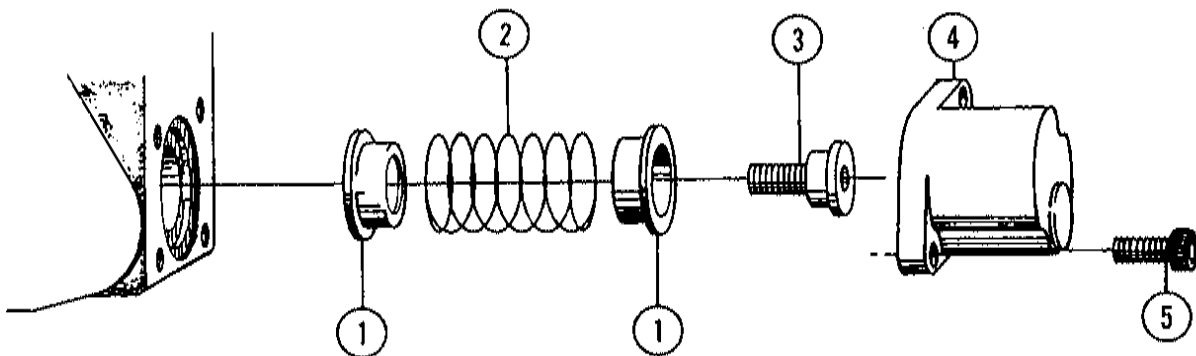
Figure 2-22



| REF. NO. | PART NO. | DESCRIPTION | QTY. | REF. NO. | PART NO. | DESCRIPTION | QTY. |
|----------|----------|---------------------------|------|----------|----------|--|------|
| 2-22 | 1 | 3128-009 POPPET-CHECK | 1 | 2-22 | 7 | NSS O-RING | 1 |
| 2-22 | 2 | 3147-041 SPRING-CHECK | 1 | 2-22 | 8 | 3147-043 PLUG-LIFT CHECK | 1 |
| 2-22 | 3 | NSS WASHER-BACKUP (INNER) | 2 | | | | |
| 2-22 | 4 | NSS O-RING | 1 | | 3147-035 | PLUG-LOAD CHECK STEEL (INC. REF. 1-8) | |
| 2-22 | 5 | NSS O-RING (OUTER) | 1 | | 3147-037 | REPAIR KIT (INC. REF. 3-7) | |
| 2-22 | 6 | NSS WASHER-BACKUP (OUTER) | 1 | | | | |

STANDARD SPOOL POSITIONER COMPONENTS

Figure 2-23

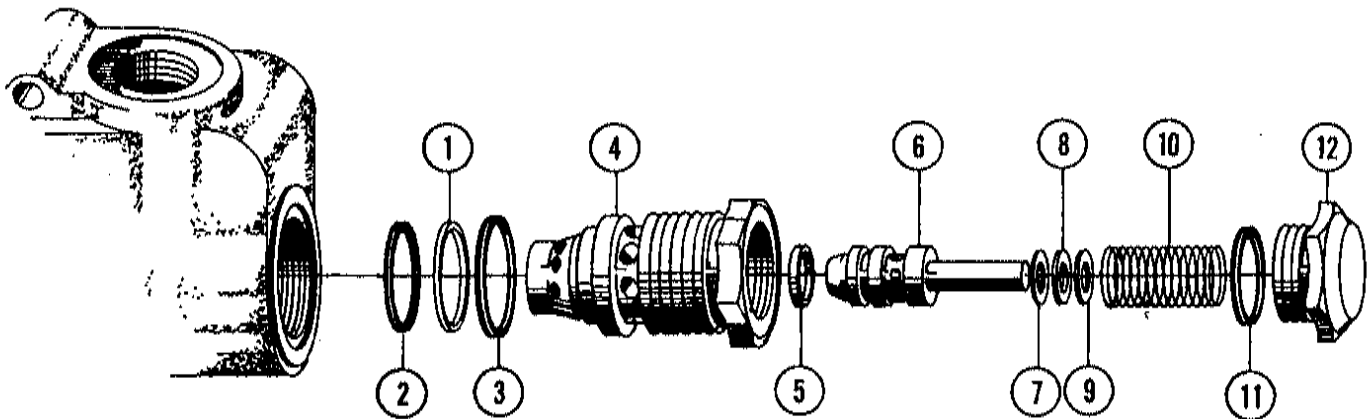


| REF. NO. | PART NO. | DESCRIPTION | QTY. | REF. NO. | PART NO. | DESCRIPTION | QTY. |
|----------|----------|------------------------|------|----------|----------|--|------|
| 2-23 | 1 | 3149-005 COLLAR-SPRING | 2 | 2-23 | 4 | 6149-043 BONNET | 1 |
| 2-23 | 2 | 6149-057 SPRING-RETURN | 1 | 2-23 | 5 | 79704-001 SCREW-1/4-20X7/8 SOC HD SELFLK | 2 |
| 2-23 | 3 | 3149-013 COLLAR-SPOOL | 1 | | | | |
| | | | | | 6149-005 | POSITIONER-STD. (INC. REF. 1-7) | |

Revised April 1996 due to
elimination of figure from manual.

WH MAIN RELIEF COMPONENTS

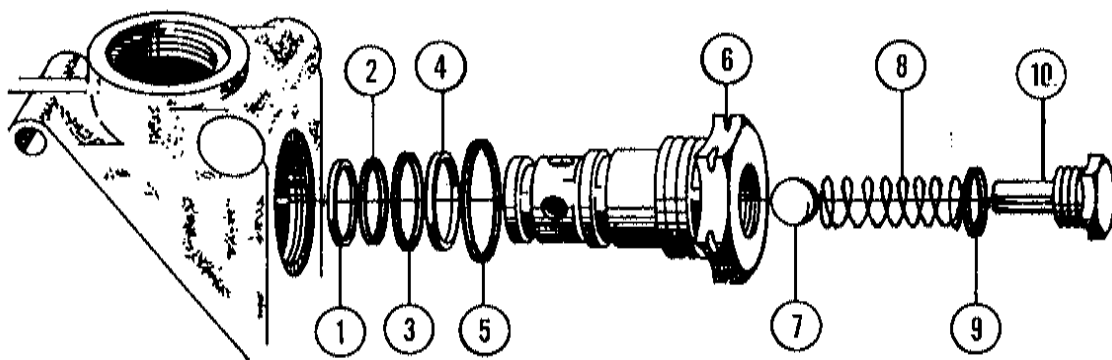
Figure 2-25



| REF. NO. | PART NO. | DESCRIPTION | QTY. | REF. NO. | PART NO. | DESCRIPTION | QTY. |
|----------|----------|--------------------------|------|----------|----------|--|------|
| 2-25 | 1 | NSS RING-BACKUP | 1 | 2-25 | 9 | 208-015 SHIM - .040 | A/R |
| 2-25 | 2 | NSS SEAL-O-RING | 1 | 2-25 | 10 | 86323-005 SPRING-SS 2000-3000 PSI | 1 |
| 2-25 | 3 | NSS SEAL-O-RING | 1 | 2-25 | 11 | NSS SEAL-O-RING | 1 |
| 2-25 | 4 | 15844-009 BODY-WH RELIEF | 1 | 2-25 | 12 | 3147-027 CAP | 1 |
| 2-25 | 5 | NSS RING-PISTON | 1 | | | | |
| 2-25 | 6 | NSS POPPET | 1 | | | 3147-011 SERVICE KIT (INC. REF. 5 & 6) | |
| 2-25 | 7 | 208-019 SHIM - .010 | A/R | | | 15844-007 REPAIR KIT (INC. REF. 1, 3 & 11) | |
| 2-25 | 8 | 208-017 SHIM - .020 | A/R | | | 901057-003 WH MAIN RELIEF (3000PSI) (INC. REF. 1-12) | |

LO (LOCKOUT) PILOT CHECK COMPONENTS

Figure 2-26

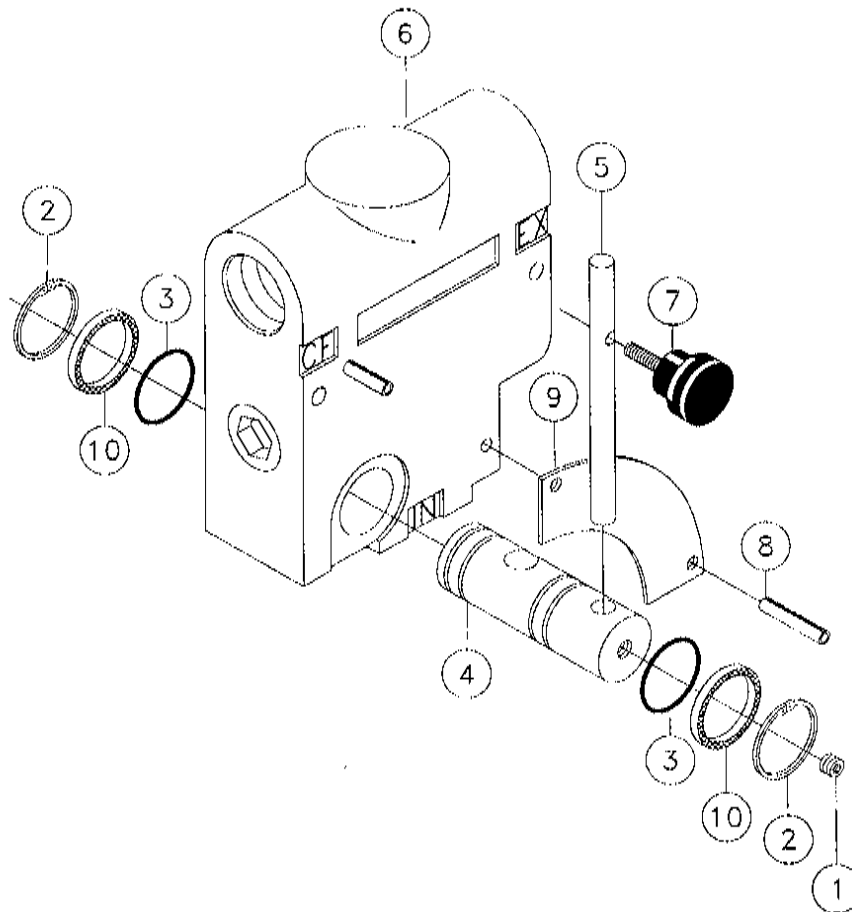


| <u>REF. NO.</u> | <u>PART NO.</u> | <u>DESCRIPTION</u> | <u>QTY.</u> |
|-----------------|-----------------|--------------------------------------|-------------|
| 2-26 | 1 | NSS WASHER-BACKUP | 1 |
| 2-26 | 2 | NSS O-RING | 1 |
| 2-26 | 3 | NSS O-RING | 1 |
| 2-26 | 4 | NSS WASHER-BACKUP | 1 |
| 2-26 | 5 | NSS O-RING | 1 |
| 2-26 | 6 | 3175-021 BODY-CHECK | 1 |
| 2-26 | 7 | 208-029 BALL | 1 |
| 2-26 | 8 | 3175-023 SPRING- | 1 |
| 2-26 | 9 | NSS O-RING | 1 |
| 2-26 | 10 | 3175-013 CAP-BODY | 1 |
| | 3175-003 | PILOT CHECK-CP LO (INC. REF. 1-10) | |
| | 3175-005 | REPAIR KIT-CP LO (INC. REF. 1-5 & 9) | |

FLOW CONTROL VALVE COMPONENTS

Figure 2-27

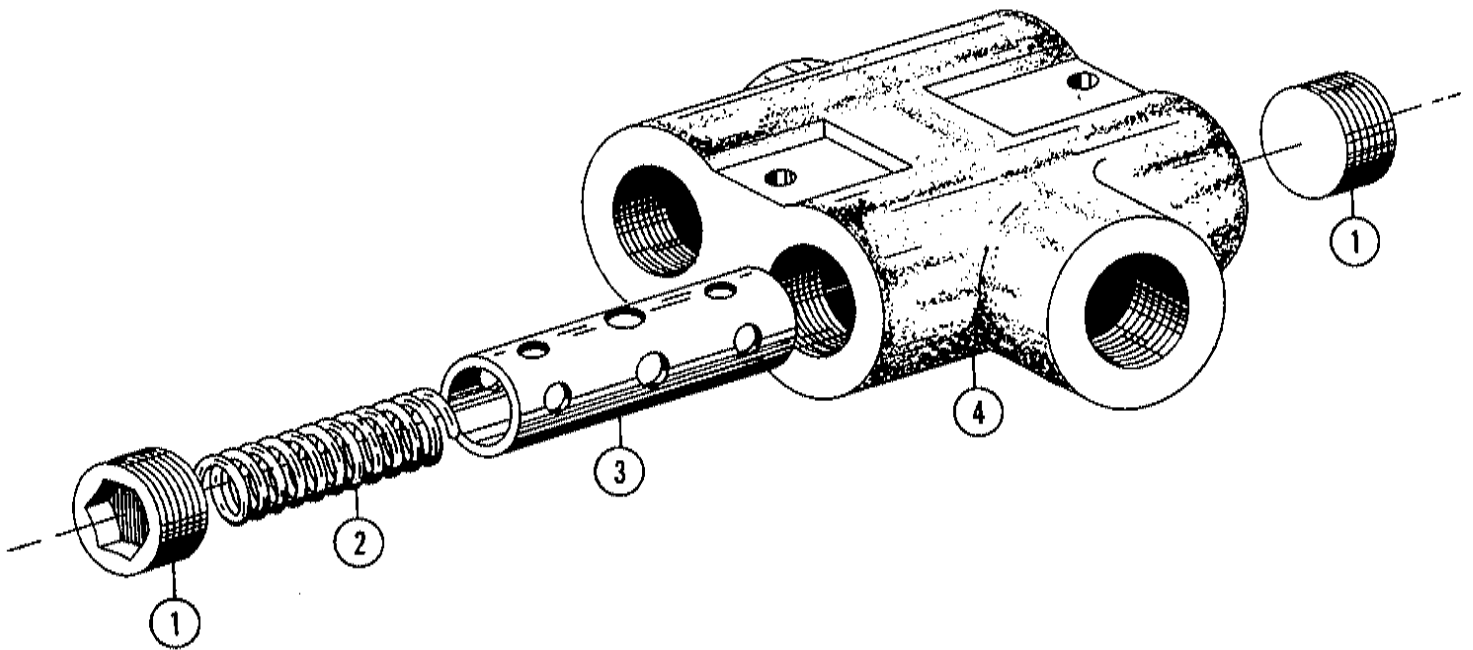
Revised April 1996 due to change
to 16 gpm flow control valve.



| <u>REF. NO.</u> | <u>PART NO.</u> | <u>DESCRIPTION</u> | <u>QTY.</u> |
|-----------------|-----------------|---|-------------|
| 2-27 | 1 | 2694-013 SCREW-ALLEN 1/4-20X1/4 | 1 |
| 2-27 | 2 | 2694-005 RING-RETAINING | 2 |
| 2-27 | 3 | NSS O-RING | 2 |
| 2-27 | 4 | NSS SPOOL-FG-ROTARY | 1 |
| 2-27 | 5 | 2694-007 HANDLE-ROTARY SPOOL | 1 |
| 2-27 | 6 | NSS BODY W/ SPOOL | 1 |
| 2-27 | 7 | 2694-011 KNOB-SELECTOR | 1 |
| 2-27 | 8 | 51038-001 ROLL PIN BRAND | 2 |
| 2-27 | 9 | 2694-015 PLATE-DIAL | 1 |
| 2-27 | 10 | 211720-003 O-RING-SQUARE CUT | 2 |
| | 2694-003 | REPAIR KIT-FLOW DIVIDER (INC. TWO OF REF. 3) | |
| | 234537-001 | VALVE-FLOW CONTROL (INC. REF. 1-10) | |
| | NSS | NOT SOLD SEPARATELY | |

FLOW DIVIDER COMPONENTS - FIXED

Figure 2-28



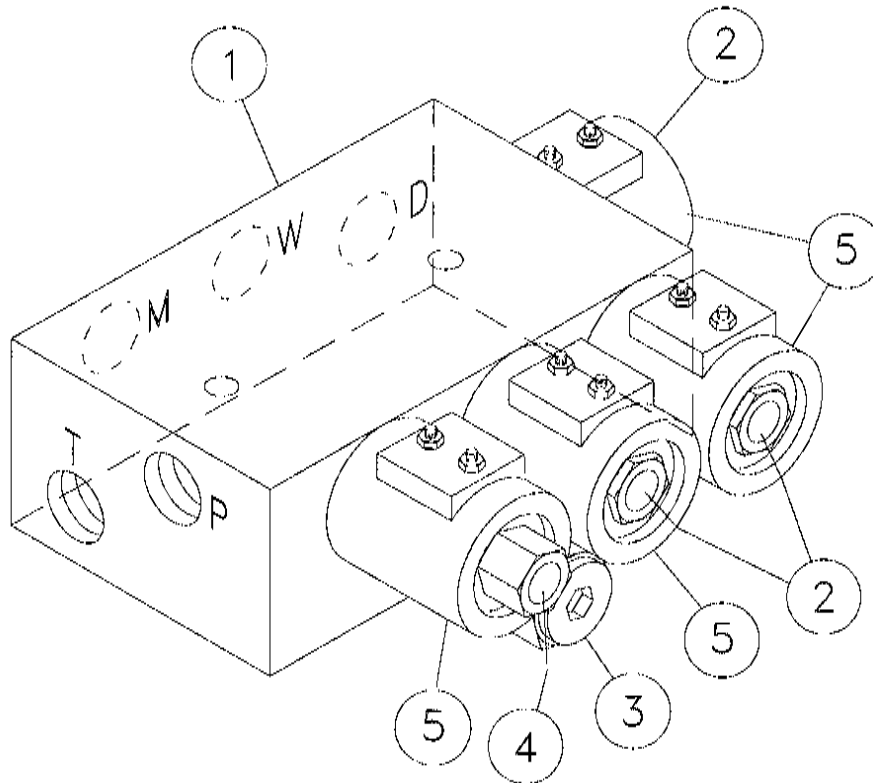
| <u>REF. NO.</u> | <u>PART NO.</u> | <u>DESCRIPTION</u> | <u>QTY.</u> |
|-----------------|-----------------|--|-------------|
| 2-28 | 1 | 2696-003 PLUG-3/4 NPT SCKT | 2 |
| 2-28 | 2 | 2696-005 SPRING-METERING | 1 |
| 2-28 | 3 | NSS SPOOL-METERING (NON-ADJUSTABLE) | 1 |
| 2-28 | 4 | NSS BODY-CASTING | 1 |
| | 229328-001 | VALVE-FLOW DIVIDER (10 GPM) (INC. REF. 1-4) | |
| | NSS | NOT SOLD SEPARATELY | |

NOTE: HOUSING AND SPOOLS ARE MATCHED ITEMS AND ARE NOT INTERCHANGEABLE OR SOLD SEPARATELY.

SOLENOID VALVE COMPONENTS

Figure 2-29

Revised April 1996 due to update of parts list. Changed parts marked with *.

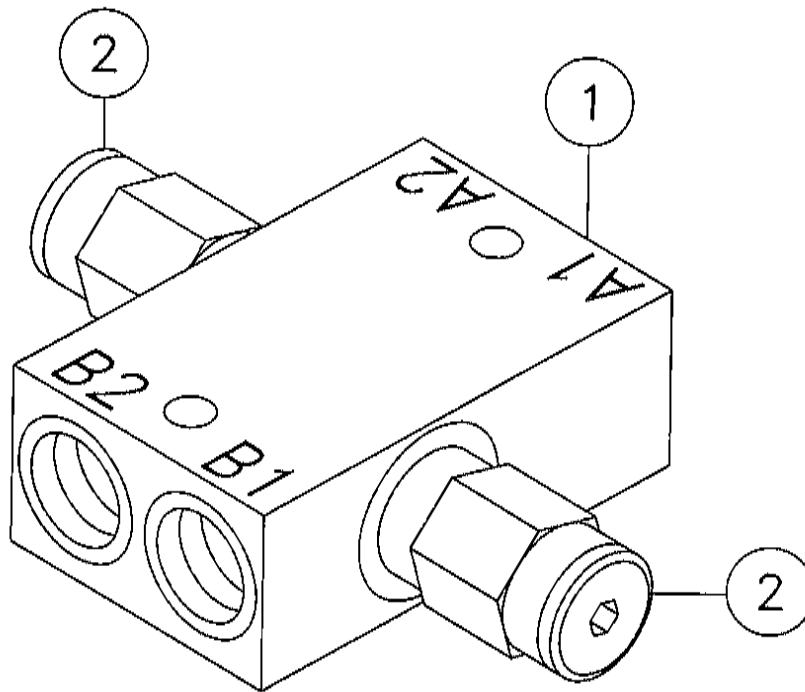


| <u>REF. NO.</u> | <u>PART NO.</u> | <u>DESCRIPTION</u> | <u>QTY.</u> |
|-----------------|-----------------|--|-------------|
| 2-29 | 1 | 227246-003 BLOCK-VALVE | 1 |
| 2-29 | 2 | 227246-005 CARTRIDGE-SOLENOID (LESS COIL) | 3 |
| | | 227246-007 SEAL KIT-SOLENOID | |
| 2-29 | 3 | 227246-009 CARTRIDGE-RELIEF | 1 |
| | | 227246-011 SEAL KIT-RELIEF | |
| 2-29 | 4 | *227246-013 CARTRIDGE-SOLENOID (LESS COIL) | 1 |
| | | *227246-007 SEAL KIT-SOLENOID | |
| 2-29 | 5 | 904525-003 COIL-12V | 4 |
| | | 227246-001 VALVE-SOLENOID(INC. REF. 1-5) | |

CROSSOVER RELIEF VALVE COMPONENTS

Figure 2-30

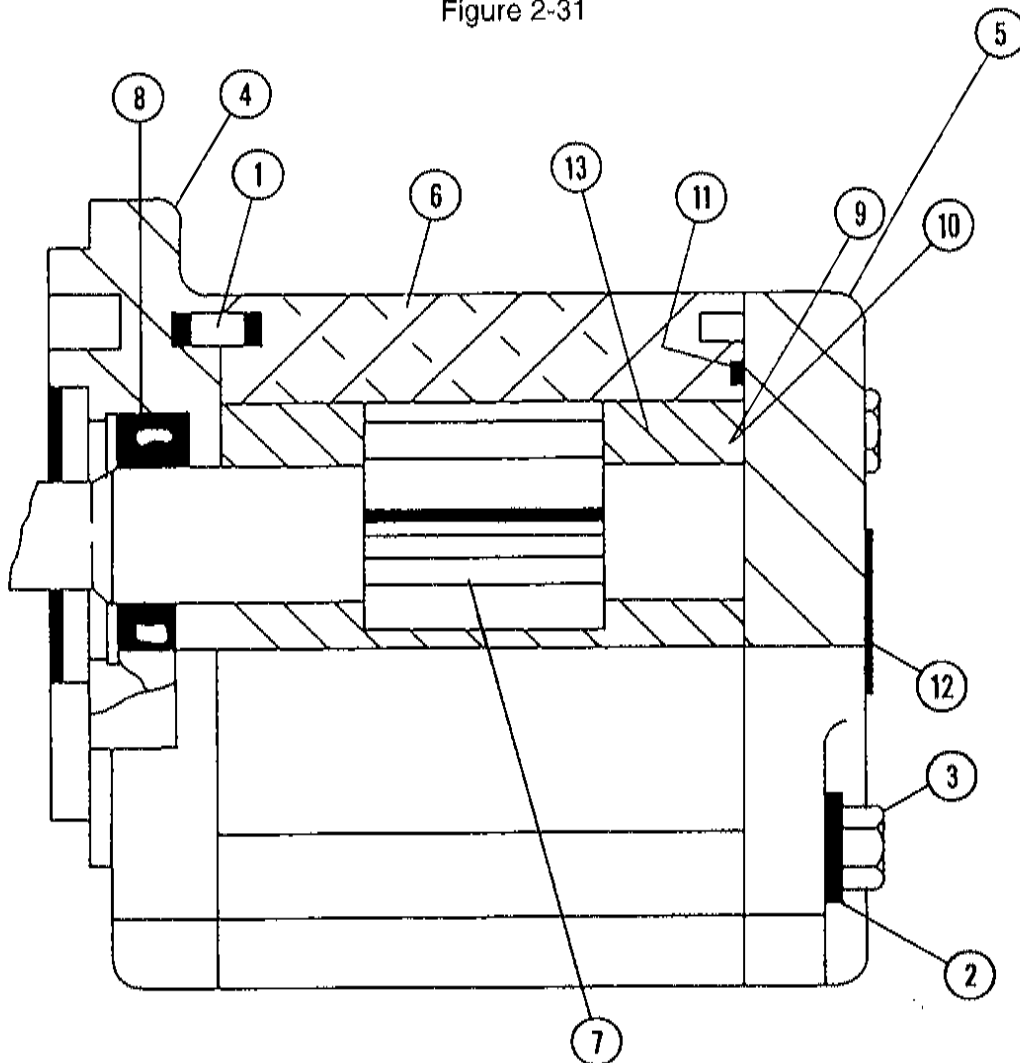
Revised March 1996 due to correction
in illustration & parts list.



| <u>REF. NO.</u> | <u>PART NO.</u> | <u>DESCRIPTION</u> | <u>QTY.</u> |
|-----------------|-----------------|--|-------------|
| 2-30 | 1 | 227247-003 BODY | 1 |
| 2-30 | 2 | 227247-005 VALVE-RELIEF (2750 PSI) | 1 |
| | | 227247-007 REPAIR KIT (EXTERNAL O-RINGS & BACK-UP WASHERS) | 1 |
| 2-30 | 3 | 227247-009 VALVE-RELIEF (2100 PSI) | 1 |
| | | 227247-007 REPAIR KIT (EXTERNAL O-RINGS & BACK-UP WASHERS) | 1 |
| | | 227247-001 VALVE-CROSSOVER RELIEF 2100/2750 (INC. REF. 1-3) | |

HYDRAULIC PUMP COMPONENTS

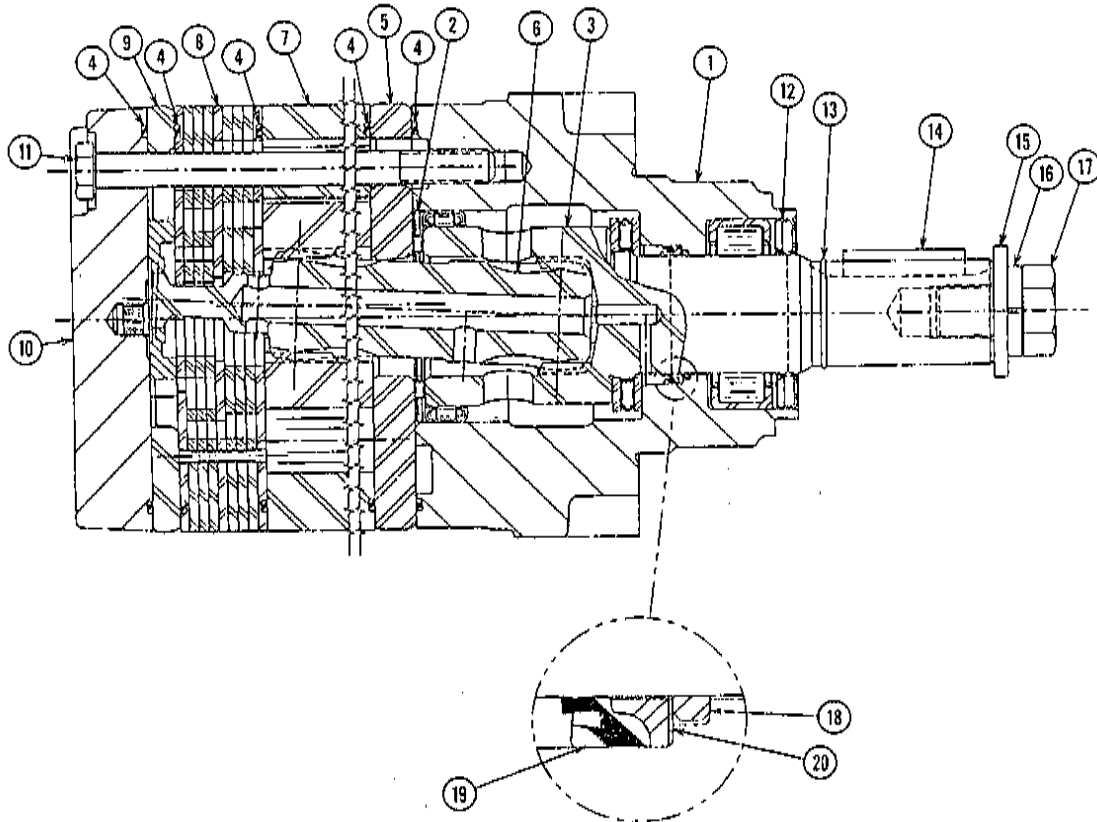
Figure 2-31



| <u>REF. NO.</u> | <u>PART NO.</u> | <u>DESCRIPTION</u> | <u>QTY.</u> |
|-----------------|-----------------|--|-------------|
| 2-31 | 1 | 227238-003 PIN-DOWEL | 2 |
| 2-31 | 2 | 227238-005 WASHER | 4 |
| 2-31 | 3 | 227238-007 CAPSCREW | 4 |
| 2-31 | 4 | 227238-009 HOUSING-SEC | 1 |
| 2-31 | 5 | 227238-011 HOUSING-PEC | 1 |
| 2-31 | 6 | 227238-013 HOUSING-GEAR | 1 |
| 2-31 | 7 | 227238-015 GEARSHAFT SET | 1 |
| 2-31 | 8 | 227238-017 LIP SEAL | 1 |
| 2-31 | 9 | 227238-019 SEAL-BACKUP | 2 |
| 2-31 | 10 | 227238-021 SEAL-CHAN. | 2 |
| 2-31 | 11 | 227238-023 SEAL-SECTION | 2 |
| 2-31 | 12 | 227238-025 SCREW-DRIVE | 2 |
| 2-31 | 13 | 227238-027 THRBK/BSHG | 2 |
| | | 227238-001 PUMP-HYD (INC. REF. 1-13) | |
| | | 227238-029 SEAL KIT (INC. REF. 1, 8, 9, 10, 11, 12 & 13) | |

HYDRAULIC MOTOR COMPONENTS

Figure 2-32

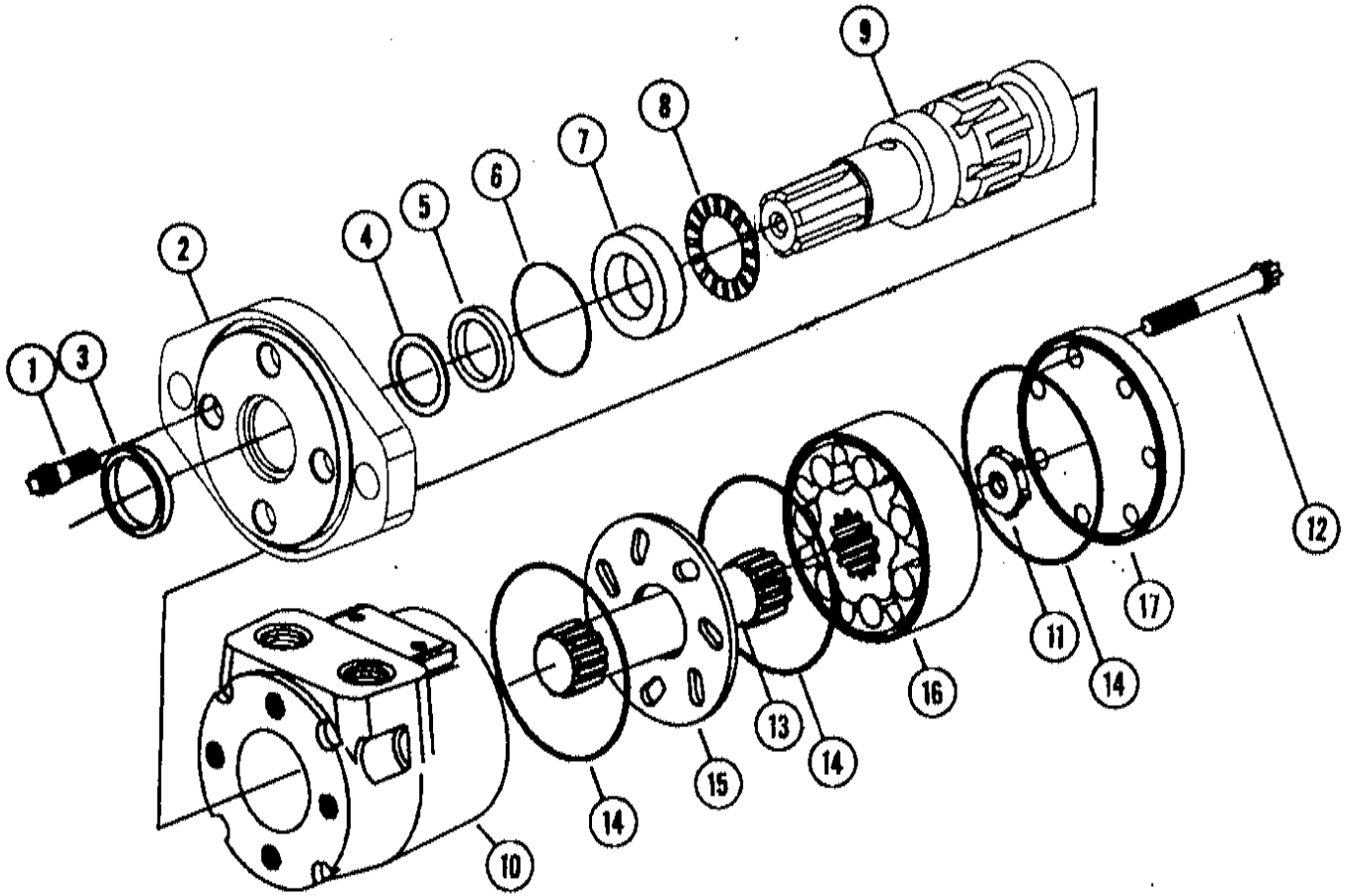


| <u>REF. NO.</u> | <u>PART NO.</u> | <u>DESCRIPTION</u> | <u>QTY.</u> |
|-----------------|-----------------|-------------------------------------|-------------|
| 2-32 | 1 | 213890-007 HOUSING ASSEMBLY | 1 |
| 2-32 | 2 | 88759-021 BEARING-THRUST | 1 |
| 2-32 | 3 | 93297-017 SHAFT - COUPLING | 1 |
| 2-32 | 4 | +88759-009 RING-SEAL | 5 |
| 2-32 | 5 | 93297-013 PLATE - WEAR | 1 |
| 2-32 | 6 | 213890-009 LINK-DRIVE | 1 |
| 2-32 | 7 | 213890-011 ROTOR SET | 1 |
| 2-32 | 8 | 93297-009 MANIFOLD | 1 |
| 2-32 | 9 | 93297-007 COMMUTATOR ASSEMBLY | 1 |
| 2-32 | 9 | 1768-013 BONDED RING-032435 | 1 |
| 2-32 | 10 | 93297-005 COVER END | 1 |
| 2-32 | 11 | 213890-013 BOLT | 7 |
| 2-32 | 12 | 88759-041 SEAL-DIRT & WATER | 1 |
| 2-32 | 13 | 213890-015 RING-RETAINING | 1 |
| 2-32 | 14 | 88759-025 KEY-5/16X5/16X1 1/2 | 1 |
| 2-32 | 15 | 213890-003 WASHER | 1 |
| 2-32 | 16 | 480-015 WASHER-5/8 S/T LOCK | 1 |
| 2-32 | 17 | 213890-005 BOLT-5/8-18 X 1.00 HEX | 1 |
| 2-32 | 18 | 88759-035 WASHER-BACKUP | 1 |
| 2-32 | 19 | 88759-033 SEAL-INNER | 1 |
| 2-32 | 20 | 213890-017 WASHER-BACK UP | 1 |
| | 213890-001 | MOTOR-HYD. (INC. REF. 1-20) | |
| | 88759-003 | SEAL KIT (INC. ITEMS MARKED WITH +) | |

HYDRAULIC MOTOR COMPONENTS

Figure 2-34

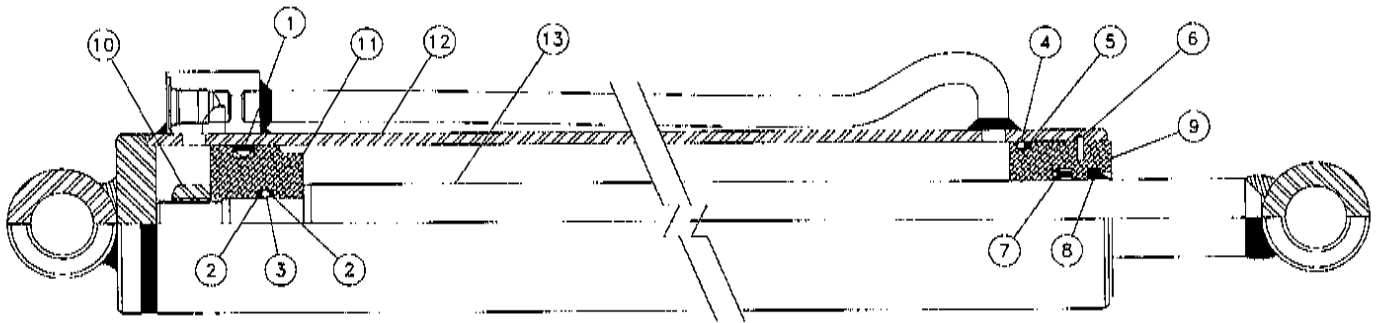
Revised November 1996 due to hyd. motor update (Serial No. 560).



| REF. NO. | PART NO. | DESCRIPTION | QTY. |
|----------|------------|--|------|
| 2-34 | 1 | 219177-003 SCREW-CAP 5/16"-24 X 7/8 | 4 |
| 2-34 | 2 | 234678-003 FLANGE-MOUNTING (2-BOLT) | 1 |
| 2-34 | 3 | 751-003 SEAL-DUST | 1 |
| 2-34 | 4 | 79530-009 WASHER-BACK UP | 1 |
| 2-34 | 5 | 79530-005 SEAL-PRESSURE | 1 |
| 2-34 | 6 | 6284-003 SEAL | 1 |
| 2-34 | 7 | 751-009 RACE-BEARING | 1 |
| 2-34 | 8 | 751-011 BEARING-THRUST NEEDLE | 1 |
| 2-34 | 9 | 234678-005 SHAFT-OUTPUT (7/8" DIA SAE B 13T SPLINED) | 1 |
| 2-34 | 10 | 219177-005 HOUSING | 1 |
| 2-34 | 11 | 215890-013 SPACER | 1 |
| 2-34 | 12 | 219177-007 SCREW | 7 |
| 2-34 | 13 | 219177-009 DRIVE | 1 |
| 2-34 | 14 | 219177-011 SEAL | 3 |
| 2-34 | 15 | 215890-009 SPACER-PLATE | 1 |
| 2-34 | 17 | 219177-013 CAP-END | 1 |
| | 234678-001 | MOTOR-HYDRAULIC | |
| | 219177-015 | SEAL KIT (INC. REF. 3-6 & 14) | |
| | NSS | NOT SOLD SEPARATELY | |

HYDRAULIC CYLINDER COMPONENTS (2 1/2" X 24")

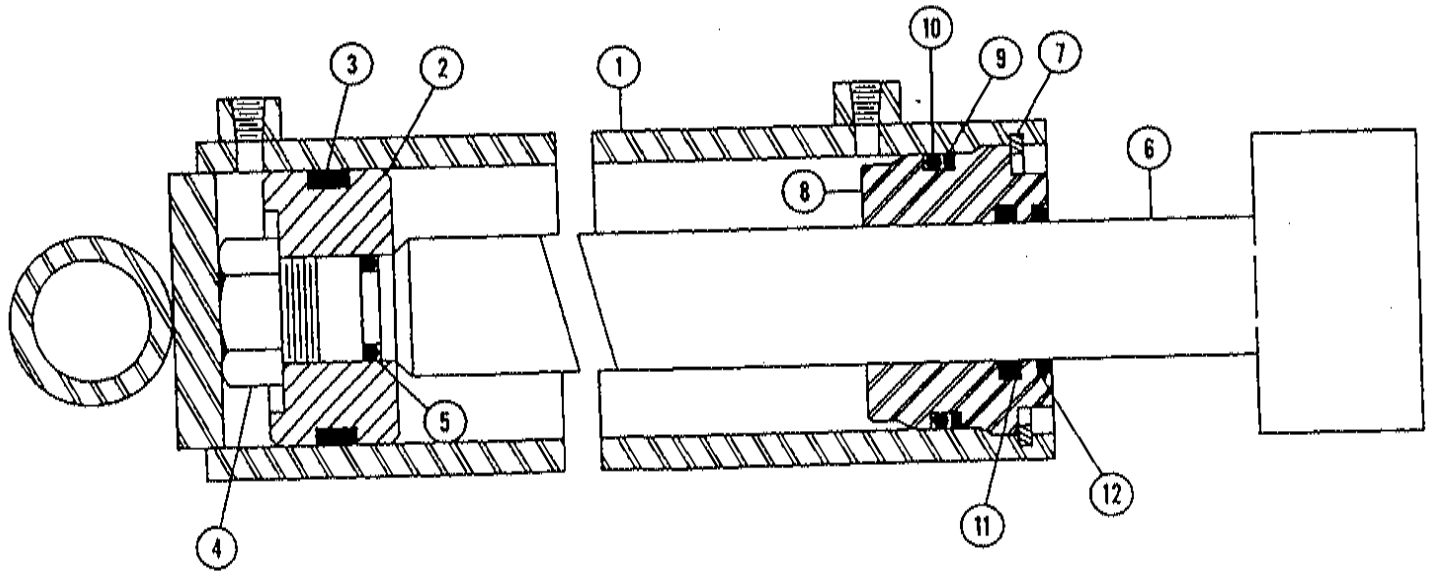
Figure 2-35



| <u>REF. NO.</u> | <u>PART NO.</u> | <u>DESCRIPTION</u> | <u>QTY.</u> |
|-----------------|-----------------|--|-------------|
| 2-35 | 1 | 200769-001 UNI-RING | 1 |
| 2-35 | 2 | 206843-013 BACKUP WASHER | 2 |
| 2-35 | 3 | 51167-001 O-RING1 | 1 |
| 2-35 | 4 | 51175-001 O-RING | 1 |
| 2-35 | 5 | 200841-001 BACKUP WASHER | 1 |
| 2-35 | 6 | 602-250 SNAP RING-INT | 1 |
| 2-35 | 7 | 205003-001 1 1/4"LOADED U-CUP | 1 |
| 2-35 | 8 | 217237-007 WIPER-ROD | 1 |
| 2-35 | 9 | 216773-009 SNAP RING HEAD | 1 |
| 2-35 | 10 | 70-005 NUT-3/4 NF SLTL | 1 |
| 2-35 | 11 | 217178-007 PISTON | 1 |
| 2-35 | 12 | 217178-003 BARREL ASSEMBLY | 1 |
| 2-35 | 13 | 217178-005 ROD ASSEMBLY | 1 |
| | 217178-001 | CYL-2 1/2X24 (INC. REF. 1-13) | |
| | 217178-009 | REPAIR KIT-2 1/2" CYL. (INC. REF. 1-8) | |

HYDRAULIC CYLINDER COMPONENTS - 3" X 14"

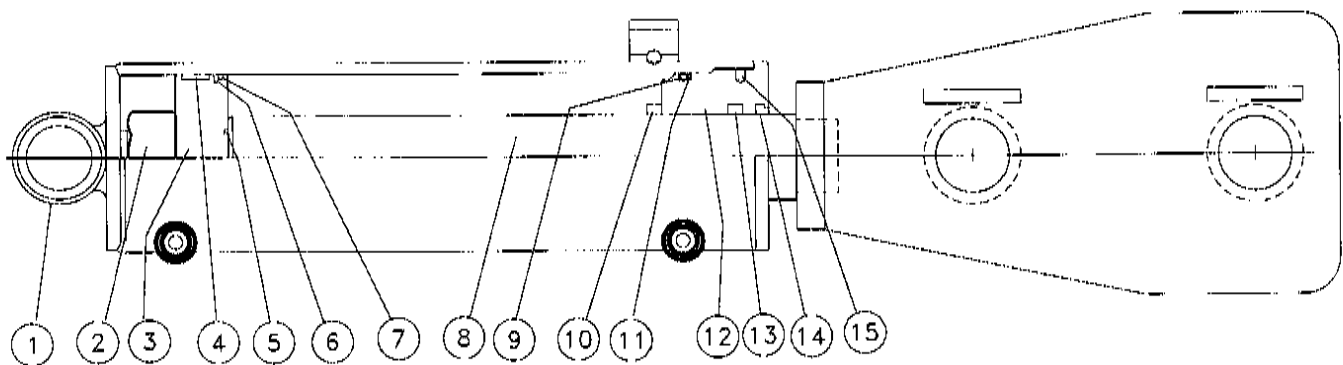
Figure 2-36



| REF. NO. | PART NO. | DESCRIPTION | QTY. |
|----------|------------|---------------------------------------|------|
| 2-36 | 1 | 68540-001 BODY-CYLINDER | 1 |
| 2-36 | 2 | 56091-001 PISTON-CYLINDER | 1 |
| 2-36 | 3 | 52704-001 UNI-RING | 1 |
| 2-36 | 4 | 5460-001 NUT -1-14 NF GR 8 SLTL | 1 |
| 2-36 | 5 | 208-007 O-RING-SPRG CAP | 1 |
| 2-36 | 6 | 68544-001 ROD-CYLINDER | 1 |
| 2-36 | 7 | 602-300 SNAP RING | 1 |
| 2-36 | 8 | 58137-001 GLAND-CYLINDER | 1 |
| 2-36 | 9 | 52705-001 BACKUP-WASHER | 1 |
| 2-36 | 10 | 4433-001 O-RING | 1 |
| 2-36 | 11 | 24754-001 ROD SEAL | 1 |
| 2-36 | 12 | 24753-001 WIPER | 1 |
| | 215768-001 | CYLINDER-3X14 (COMPLETE) | |
| | 56687-001 | REPAIR KIT (INC. REF. 3, 5, 7 & 9-12) | |

HYDRAULIC CYLINDER COMPONENTS - 3" X 42"

Figure 2-37



| <u>REF. NO.</u> | <u>PART NO.</u> | <u>DESCRIPTION</u> | <u>QTY.</u> |
|-----------------|-----------------|---------------------------------------|-------------|
| 2-37 | 1 | 215657-003 TUBE WELDMENT | 1 |
| 2-37 | 2 | 215657-005 LOCK NUT .875-14UNF | 1 |
| 2-37 | 3 | 215657-007 PISTON | 1 |
| 2-37 | 4 | 215657-009 WEAR BAND | 1 |
| 2-37 | 5 | 215657-011 O-RING | 1 |
| 2-37 | 6 | 215657-013 SQUARE RING | 1 |
| 2-37 | 7 | 215657-015 SQUARE SECTION TEFLON SEAL | 1 |
| 2-37 | 8 | 215657-017 ROD WELDMENT | 1 |
| 2-37 | 9 | 215657-019 O-RING | 1 |
| 2-37 | 10 | 215657-021 ROD SPACER | 1 |
| 2-37 | 11 | 215657-023 BACKUP RING | 1 |
| 2-37 | 12 | 215657-025 HEAD GLAND | 1 |
| 2-37 | 13 | 215657-027 DOUBLE LIP U-CUP | 1 |
| 2-37 | 14 | 215657-029 ROD WIPER | 1 |
| 2-37 | 15 | 104012-005 LOCKING INSERT | 1 |

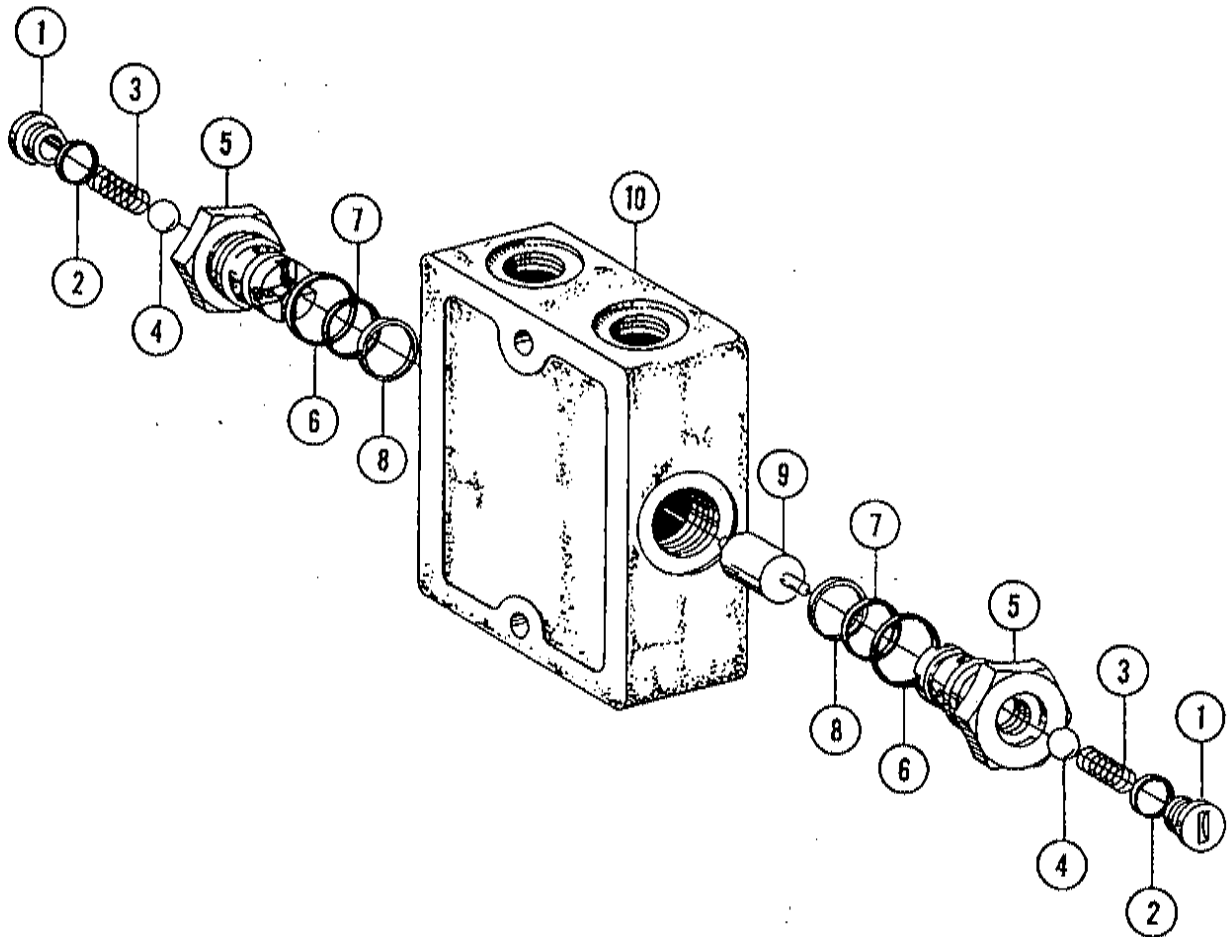
215657-001 CYL-3 X 42 (INC. REF. 1-15)

215657-031 SEAL KIT (INC. REF. 4-7, 9, 11, 13 & 14)

LOCK VALVE COMPONENTS

Figure 2-38

Revised April 1996 due to addition of figure to manual.

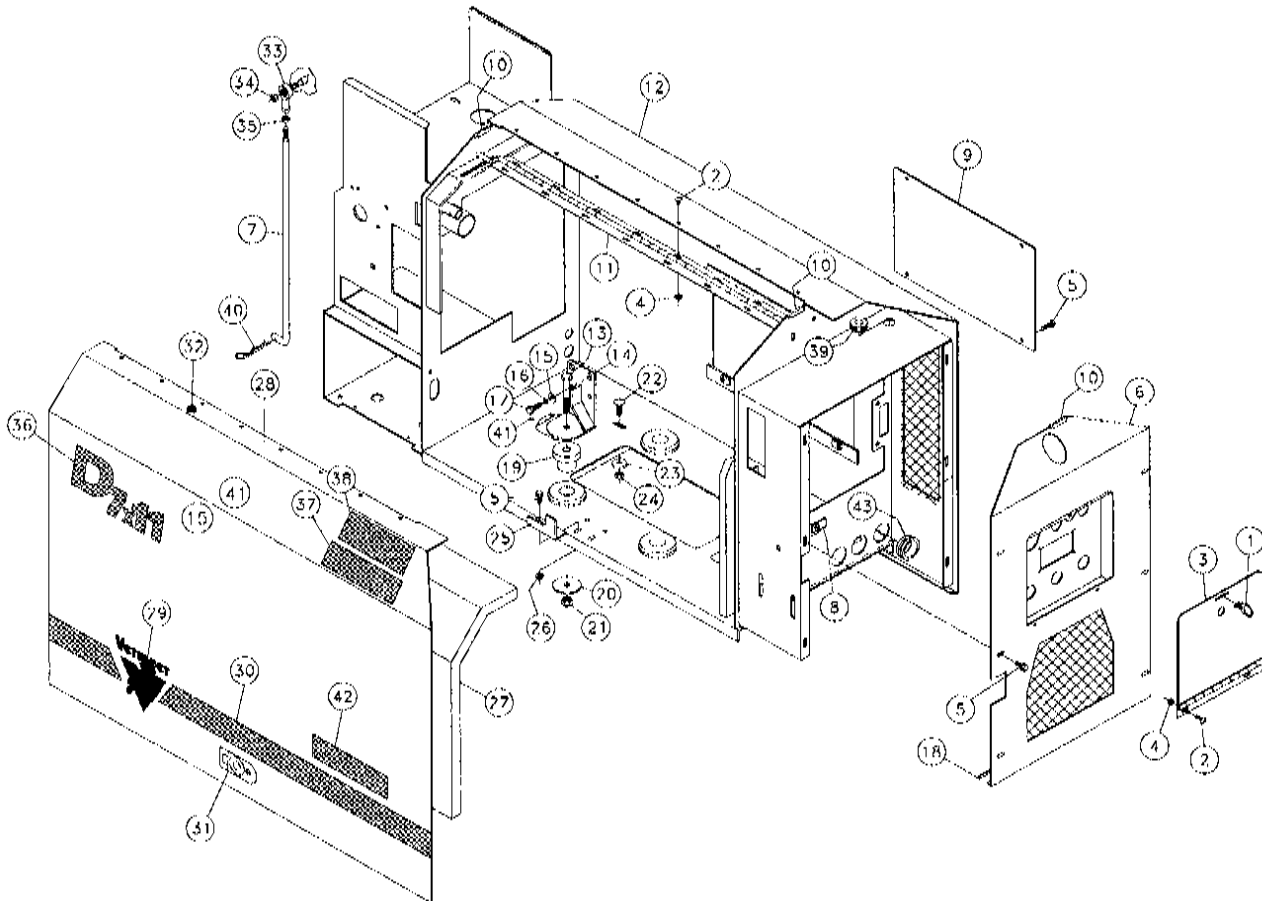


| <u>REF. NO.</u> | <u>PART NO.</u> | <u>DESCRIPTION</u> | <u>QTY.</u> |
|-----------------|-----------------|--|-------------|
| 2-38 | 1 | 3216-007 PLUG-SEAT | 2 |
| 2-38 | 2 | NSS O-RING | 2 |
| 2-38 | 3 | 3216-009 SPRING-CHECK | 2 |
| 2-38 | 4 | 2316-011 BALL | 2 |
| 2-38 | 5 | 2316-013 SEAT | 2 |
| 2-38 | 6 | NSS O-RING | 2 |
| 2-38 | 7 | NSS O-RING | 2 |
| 2-38 | 8 | NSS WASHER-BACKUP | 2 |
| 2-38 | 9 | 2316-015 PISTON-D | 1 |
| 2-38 | 10 | NSS HOUSING | 1 |
| | 3216-003 | REPAIR KIT (INC. TWO EACH OF REF. 2 & 6-8) | |
| | 3216-005 | REBUILDING KIT (INC. TWO EACH OF REF. 1-8 & ONE OF REF. 9) | |
| | 86668-001 | VALVE-LOCK (INC. REF. 1-10) | |

ENGINE COMPARTMENT ASSEMBLY

Figure 3-1

Revised November 1996 due to addition of grommet & decal updates. Changed/added parts marked with *.

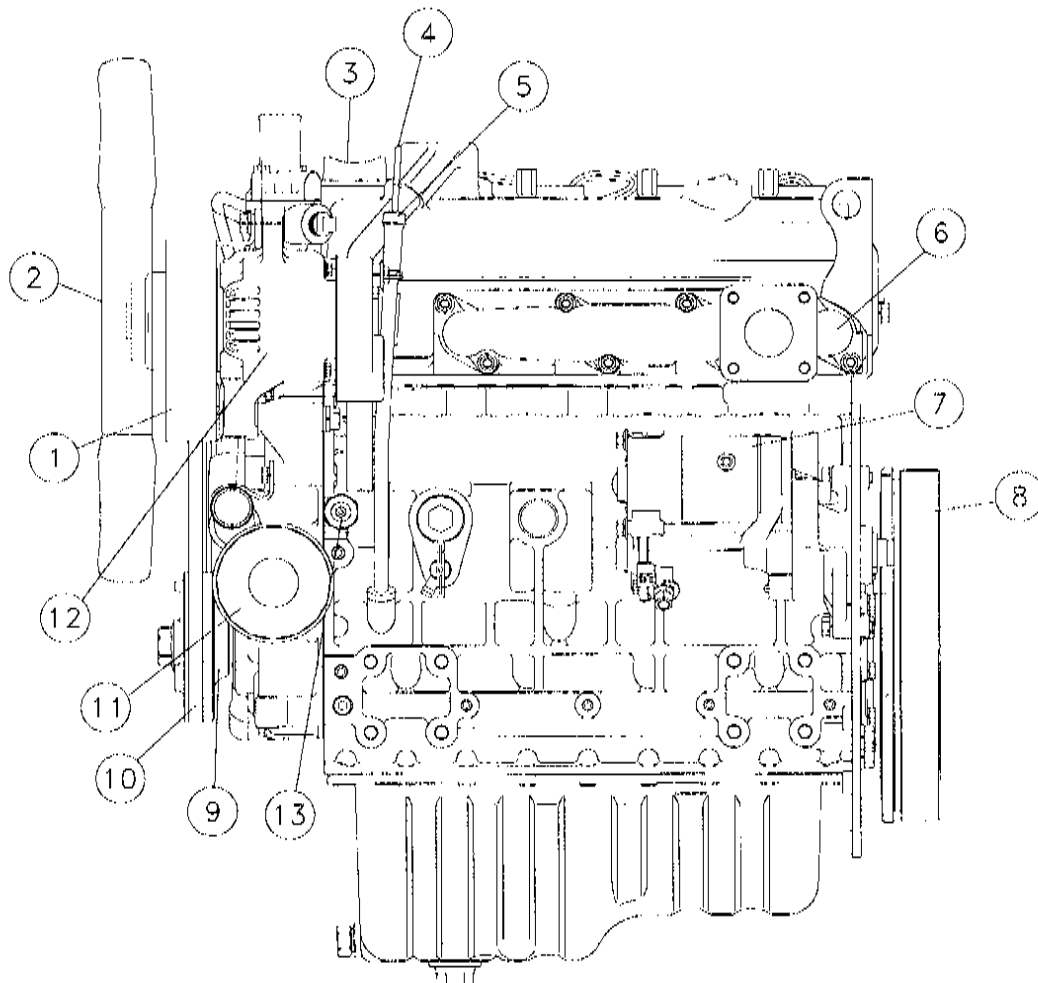


| REF. NO. | PART NO. | DESCRIPTION | QTY. | REF. NO. | PART NO. | DESCRIPTION | QTY. |
|----------|----------|--|------|----------|----------|---|------|
| 3-1 | 1 | 86113-001 FASTENER-1/4 TURN | 1 | 3-1 | 23 | 220912-001 WASHER | 5 |
| 3-1 | 2 | 373-005 BOLT-1/4-20X5/8 GR5 CARRIAGE | 18 | 3-1 | 24 | 416-001 NUT-3/8 NC SLTL | 5 |
| 3-1 | 3 | 227145-001 DOOR-HINGE | 1 | 3-1 | 25 | ??9331-001 PLATE-DOOR LATCH | 1 |
| 3-1 | 4 | 405-001 NUT-1/4 NC FLG WHIZ LOCK | 18 | 3-1 | 26 | 408-001 NUT-5/16 NC FLG WHIZ LOCK | 2 |
| 3-1 | 5 | 4474-006 BOLT-5/16-18X3/4 FLANGE WHIZ | 12 | 3-1 | 27 | 229336-001 FOAM-DOOR | 1 |
| 3-1 | 6 | ??7037-001 PANEL-FRONT ENGINE | 1 | 3-1 | 28 | 227034-001 SHIELD-ENGINE | 1 |
| 3-1 | 7 | 229377-001 ROD-DOOR LATCH | 1 | 3-1 | 29 | *70000-784 DECAL 6"VERMEER LOGO | 1 |
| 3-1 | 8 | 411-001 NUT-5/16 NC U-CLIP 31280-5618 | 6 | 3-1 | 30 | 70000-774 DECAL 2 1/2"VERMEER STRIPE (SPECIFY LENGTH) | A/R |
| 3-1 | 9 | ??7036-001 DOOR- ENGINE ACCESS | 1 | 3-1 | 31 | 110479-001 LATCH-SEALED LEVER | 1 |
| 3-1 | 10 | 97456-001 SEAL-BULB EDGE 1/8" STYLE (SPECIFY LENGTH) | A/R | 3-1 | 32 | 101522-001 BUMPER-RUBBER SELF ADHES.3/4OD | 1 |
| 3-1 | 11 | 217930-001 HINGE-SHIELD | 1 | 3-1 | 33 | 56220-001 BALL JOINT-3/8" | 1 |
| 3-1 | 12 | 227022-001 COMPARTMENT-ENGINE | 1 | 3-1 | 34 | 447-001 NUT-3/8"-24 SLTL | 1 |
| 3-1 | 13 | 358-026 1/2-13X2 3/4"GRADE#5HEX BOLT | 4 | 3-1 | 35 | 446-001 NUT-3/8"-24 | 1 |
| 3-1 | 14 | 229282-001 MOUNT-MOTOR | 4 | 3-1 | 36 | 7000A-405 DECAL - MODEL D7X11 | 1 |
| 3-1 | 15 | 20779-001 WASHER-10MM FLAT | 8 | 3-1 | 37 | *7000A-393 DECAL-DANGER | 1 |
| 3-1 | 16 | 13625-001 WASHER-10 MM LOCK | 16 | | | *7000A-393 DECAL-DANGER (INTERNATIONAL) | 1 |
| 3-1 | 17 | 119511-001 BOLT-M10 X 1.25-20MM GR8.8 HEX | 16 | 3-1 | 38 | *7000A-576 DECAL-DANGER | 1 |
| 3-1 | 18 | 4225-001 SD-1250 FLEX STL. CORE (SPECIFY LENGTH) | A/R | 3-1 | 38 | *700IA-576 DECAL-DANGER (INTERNATIONAL) | 1 |
| 3-1 | 19 | 904760-001 ISOLATOR-CBA20-300 RUBBER | 4 | 3-1 | 39 | 900869-001 GROMMET | 1 |
| 3-1 | 20 | 18064-001 CAP-PIVOT TUBE | 4 | 3-1 | 40 | 1794-003 PIN-HAIRPIN COTTER | 1 |
| 3-1 | 21 | 423-001 NUT-1/2 NC SLTL UTB | 4 | 3-1 | 41 | 212522-001 TRIM-1/4" EDGE (SPECIFY LENGTH) | A/R |
| 3-1 | 22 | 375-012 3/8-16X1 1/4"GD#5CARRIAGE BOLT | 5 | 3-1 | 42 | 7000A-010 DECAL-NAVIGATOR (MED) | 1 |
| | | | | 3-1 | 43 | *902402-001 GROMMET-1 1/2" RUBBER | 3 |

ENGINE COMPONENTS

Figure 3-2

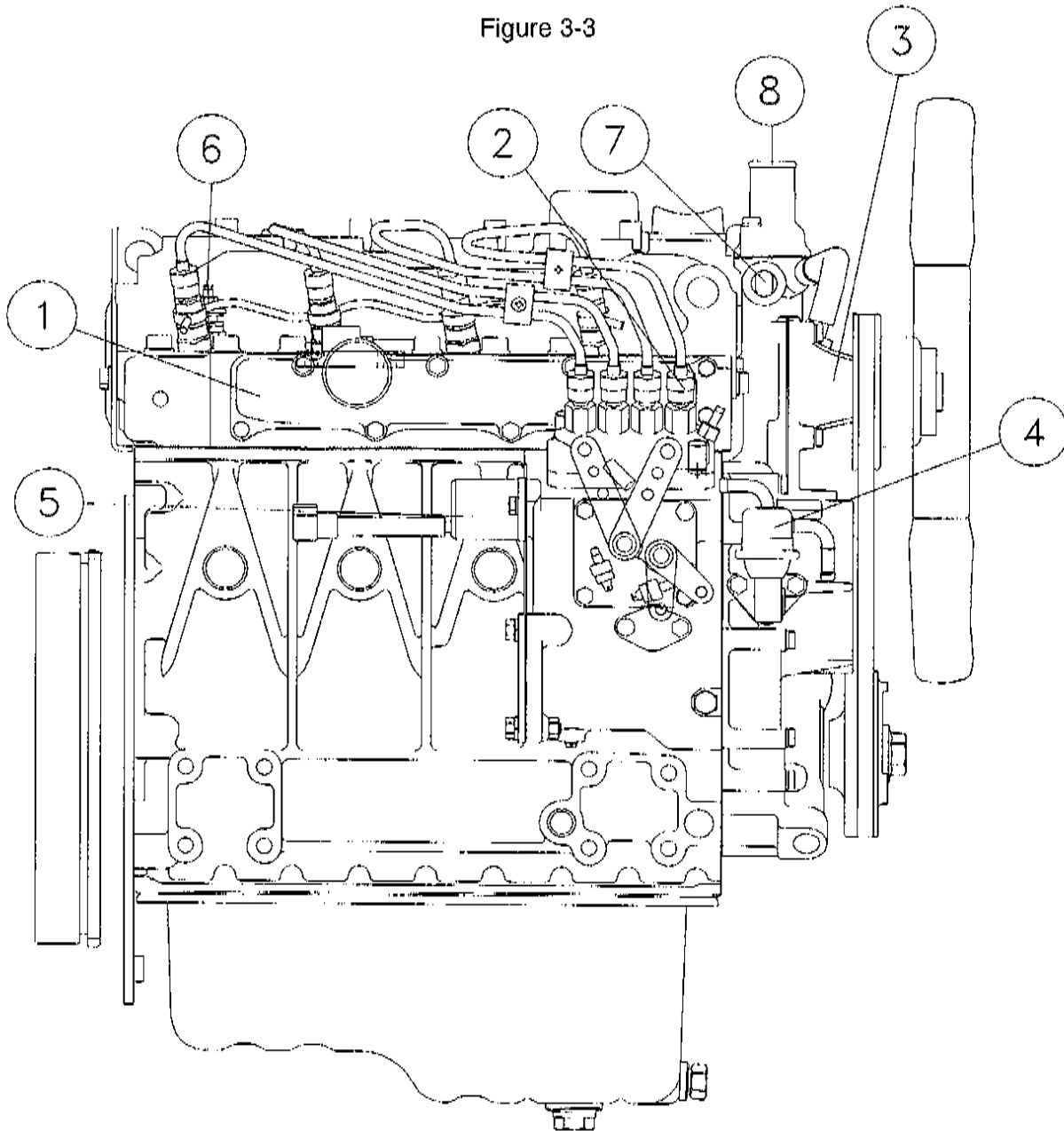
Revised April 1997 due to fan belt change. Changed part marked with *.



| <u>REF. NO.</u> | <u>PART NO.</u> | <u>DESCRIPTION</u> | <u>QTY.</u> |
|-----------------|-----------------|------------------------------------|-------------|
| 3-2 | 1 | 227241-003 PULLEY-FAN | 1 |
| 3-2 | 2 | 227244-001 FAN-10 BLADE SUCTION | 1 |
| 3-2 | 3 | 227241-005 PLUG-OIL FILTER | 1 |
| | | 218420-015 O-RING | 1 |
| 3-2 | 4 | 218420-019 GUIDE-OIL GAUGE | 1 |
| 3-2 | 5 | 218420-017 GAUGE-OIL | 1 |
| 3-2 | 6 | 227241-007 MANIFOLD-EXHAUST | 1 |
| | | 227241-009 GASKET-MANIFOLD | 1 |
| | | 227241-011 GASKET-EXHAUST | 1 |
| 3-2 | 7 | 227241-013 STARTER ASSEMBLY | 1 |
| 3-2 | 8 | 227241-015 FLYWHEEL ASSEMBLY | 1 |
| | | 227241-017 GEAR-RING | 1 |
| 3-2 | 9 | 227241-019 PULLEY-FAN DRIVE | 1 |
| 3-2 | 10 | *236320-001 BELT-10MM X 950 MM FAN | 1 |
| 3-2 | 11 | 227241-021 OIL FILTER | 1 |
| 3-2 | 12 | 218420-037 ALTERNATOR ASSEMBLY | 1 |
| 3-2 | 13 | 218420-039 OIL SWITCH | 1 |

ENGINE COMPONENTS

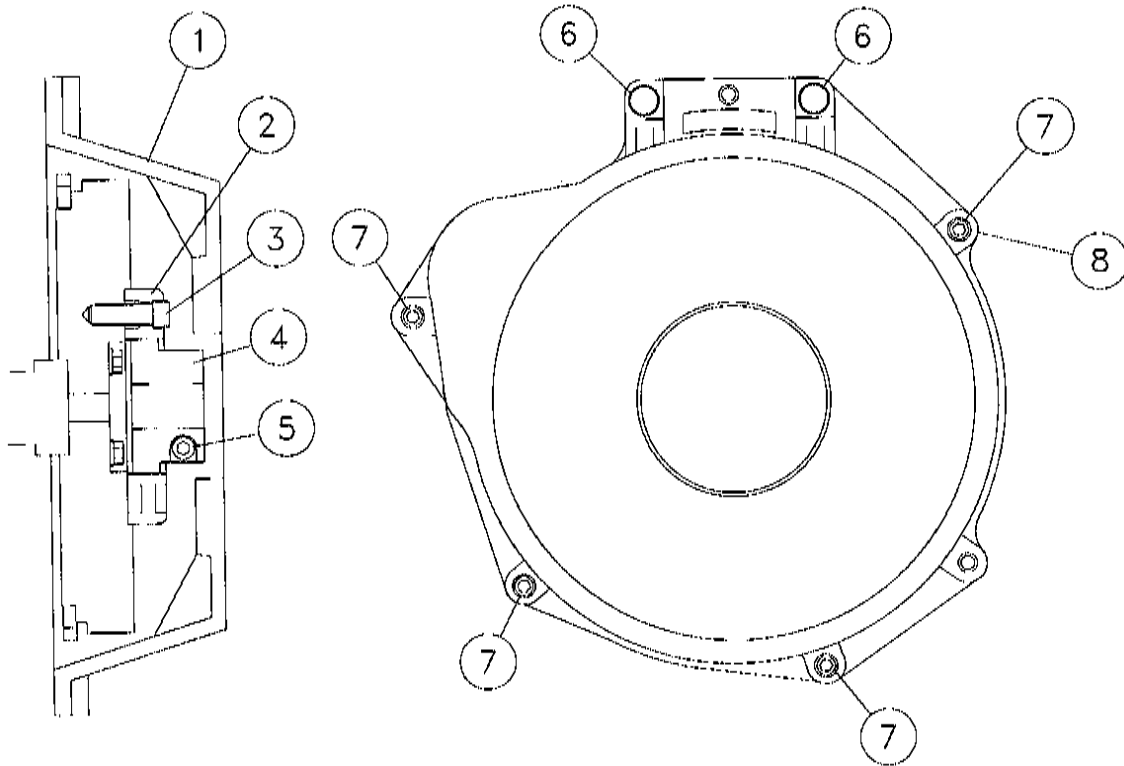
Figure 3-3



| <u>REF. NO.</u> | <u>PART NO.</u> | <u>DESCRIPTION</u> | <u>QTY.</u> |
|-----------------|-----------------|------------------------------------|-------------|
| 3-3 | 1 | 227241-023 MANIFOLD-INLET | 1 |
| | | 227241-025 GASKET-INLET MANIFOLD | 1 |
| 3-3 | 2 | 227241-027 PUMP ASSEMBLY-INJECTION | 1 |
| | | 227241-029 SHIM-INJECTION PUMP | 2 |
| | | 227241-031 SHIM-INJECTION PUMP | 2 |
| 3-3 | 3 | 227241-033 PUMP ASSEMBLY-WATER | 1 |
| | | 227241-035 GASKET-WATER PUMP | 1 |
| 3-3 | 4 | 227241-037 GASKET-FUEL PUMP | 1 |
| | | 218420-055 PUMP ASSEMBLY-FUEL | 1 |
| 3-3 | 5 | 227241-039 SOLENOID ASSEMBLY | 1 |
| | | 227241-041 GASKET-SOLENOID | 1 |
| 3-3 | 6 | 227241-043 GLOW PLUG | 1 |
| | | 227241-045 WIRE ASSEMBLY-GLOW PLUG | 1 |
| 3-3 | 7 | 219249-001 SENDER-WATER TEMP | 1 |
| 3-3 | 8 | 227241-047 THERMOSTAT COVER | 1 |
| | | 227241-049 GASKET-THERMOSTAT COVER | 1 |
| | | 227241-051 THERMOSTAT | 1 |

BELL HOUSING & COUPLING COMPONENTS

Figure 3-4

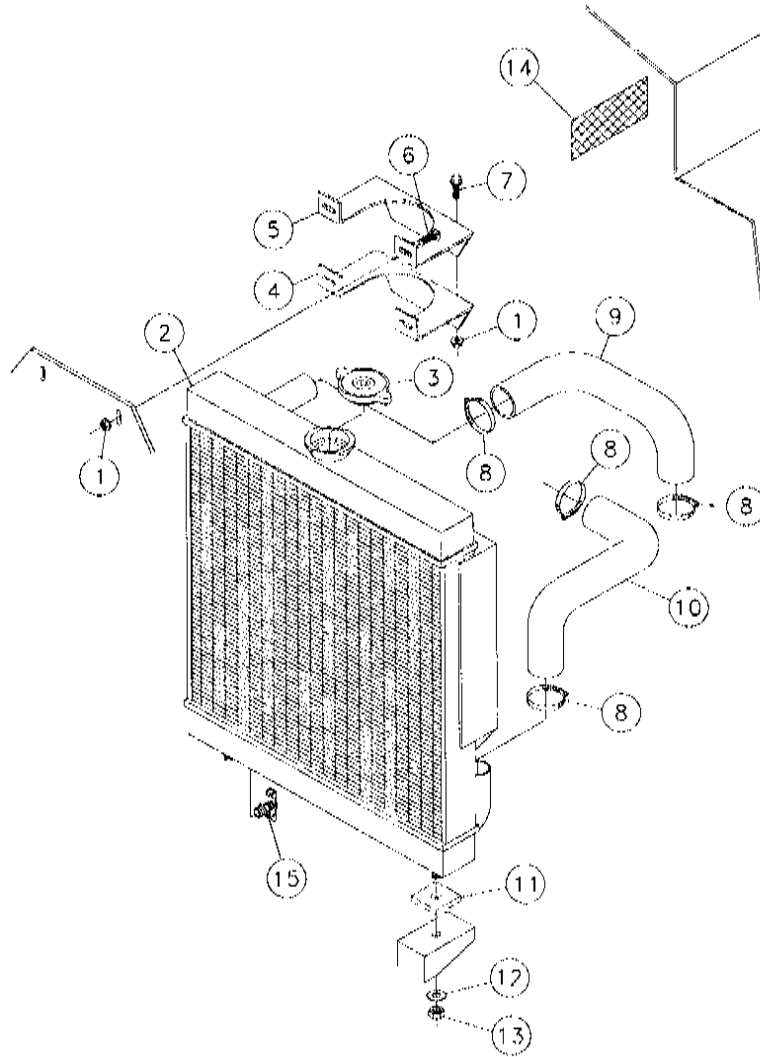


| <u>REF. NO.</u> | <u>PART NO.</u> | <u>DESCRIPTION</u> | <u>QTY.</u> |
|-----------------|-----------------|---|-------------|
| 3-4 | 1 | 219053-003 HOUSING | 1 |
| 3-4 | 2 | 219053-005 FLANGE-135 NYLON | 1 |
| 3-4 | 3 | 119874-001 BOLT-M10 X 1.25-30MM SOCKET HD | 3 |
| 3-4 | 4 | 227239-001 HUB-11T SPLINE | 1 |
| 3-4 | 5 | 219053-007 BOLT-FASTENER | 1 |
| 3-4 | 6 | 219053-009 HEX HEAD CAP SCREW-M10 X 30 | 2 |
| | | 219053-011 WASHER-M10 | 2 |
| 3-4 | 7 | 119513-001 BOLT-M8 X 30MM SOCKET HEAD | 4 |
| | | 17393-001 WASHER-8M LOCK | 4 |
| 3-4 | 8 | 574-001 NUT-8MM METRIC | 1 |
| | 219053-001 | HOUSING & COUPLING ASSEMBLY (INC. REF. 1-3, 5-8) | |

RADIATOR ASSEMBLY

Figure 3-5

Revised November 1996 due to decal update. Added part marked with *.

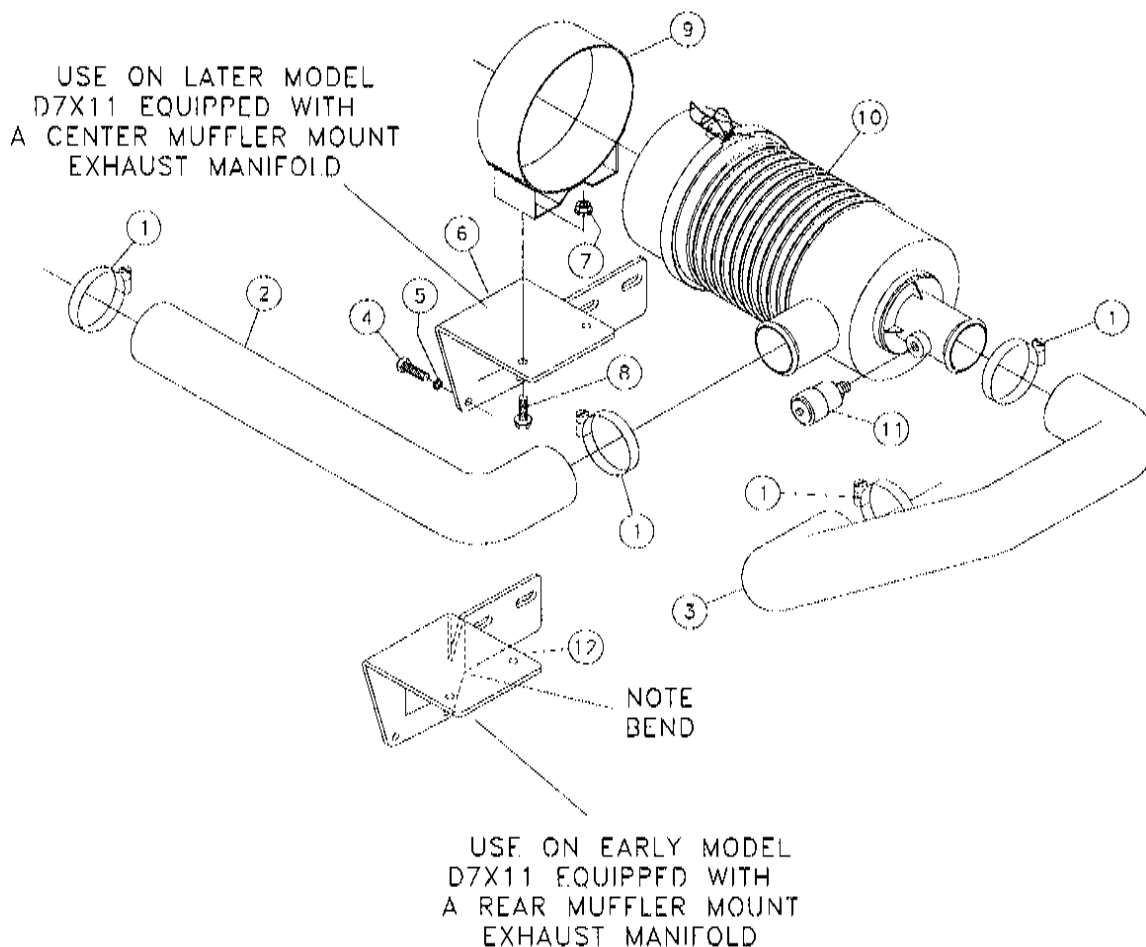


| REF. NO. | PART NO. | DESCRIPTION | QTY. |
|----------|----------|--|------|
| 3-5 | 1 | 405-001 NUT-1/4 NC FLG WHIZ LOCK | 4 |
| 3-5 | 2 | 227243-001 RADIATOR | 1 |
| 3-5 | 3 | 227243-003 CAP-RADIATOR | 1 |
| 3-5 | 4 | 229323-001 RUBBER-UPPER MOUNTING | 1 |
| 3-5 | 5 | 229322-001 PLATE-TOP MOUNT | 1 |
| 3-5 | 6 | 373-005 BOLT-1/4-20X5/8 GR5 CARRIAGE | 2 |
| 3-5 | 7 | 4473-006 BOLT-1/4-20X3/4 FLG WHIZ | 2 |
| 3-5 | 8 | 1580-011 HOSE CLAMP - 2" | 4 |
| 3-5 | 9 | 229321-001 HOSE-TOP RADIATOR | 1 |
| 3-5 | 10 | 229375-001 HOSE-LOWER RADIATOR | 1 |
| 3-5 | 11 | 229306-001 RUBBER-MOUNTING | 2 |
| 3-5 | 12 | 485-007 WASHER-3/8 FLAT | 2 |
| 3-5 | 13 | 416-001 NUT-3/8 NC SLTL | 2 |
| 3-5 | 14 | 2326-315 DECAL-WARNING | 1 |
| 3-5 | | *2326I-315 DECAL-WARNING (INTERNATIONAL) | 1 |
| 3-5 | 15 | 227243-005 DRAIN COCK | 1 |

AIR CLEANER ASSEMBLY

Figure 3-6

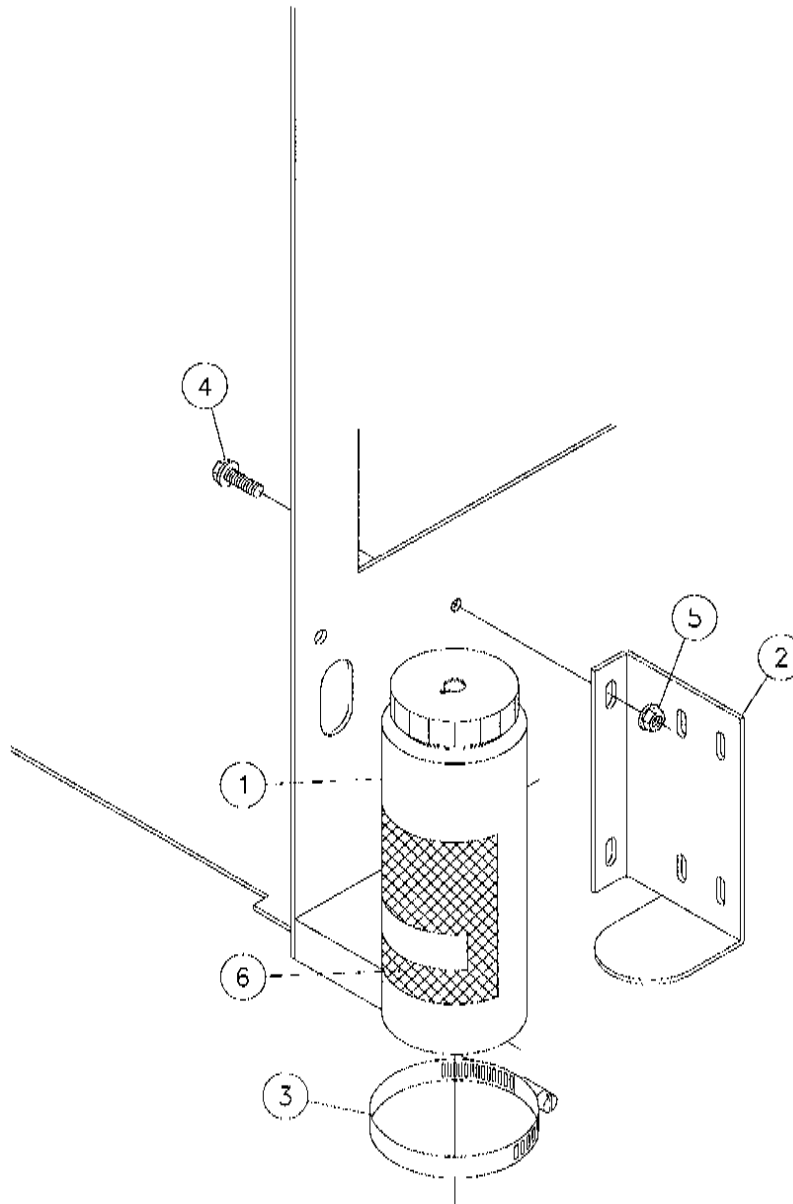
Revised November 1996 due to addition of air cleaner mount & notes. Added par marked with *.



| REF. NO. | PART NO. | DESCRIPTION | QTY. |
|----------|----------|---|------|
| 3-6 | 1 | 1580-013 HOSE CLAMP - 2 1/2" | 4 |
| 3-6 | 2 | 229291-001 HOSE-AIR INLET | 1 |
| 3-6 | 3 | 227000-001 ELBOW-AIR CLEANER | 1 |
| 3-6 | 4 | 119512-001 BOLT-M8 X 1.25-25MM HEX HEAD | 2 |
| 3-6 | 5 | 17393-001 WASHER-8M LOCK | 2 |
| 3-6 | 6 | 234671-001 MOUNT-AIR CLEANER | 1 |
| 3-6 | 7 | 1809-007 NUT - 5/16-18 SM.FLGE.T.L. | 2 |
| 3-6 | 8 | 4474-006 BOLT-5/16-18X3/4 FLANGE WHIZ | 2 |
| 3-6 | 9 | 224286-001 CLAMP-AIR CLEANER 5.75 DIA. | 1 |
| 3-6 | 10 | 224285-001 AIR CLEANER-2' OUTLET (BREAKDOWN FIG. 3-10) | 1 |
| 3-6 | 11 | 53631-001 INDICATOR | 1 |
| 3-6 | 12 | *236307-001 MOUNT- AIR CLEANER | 1 |

COOLANT OVERFLOW BOTTLE ASSEMBLY

Figure 3-7

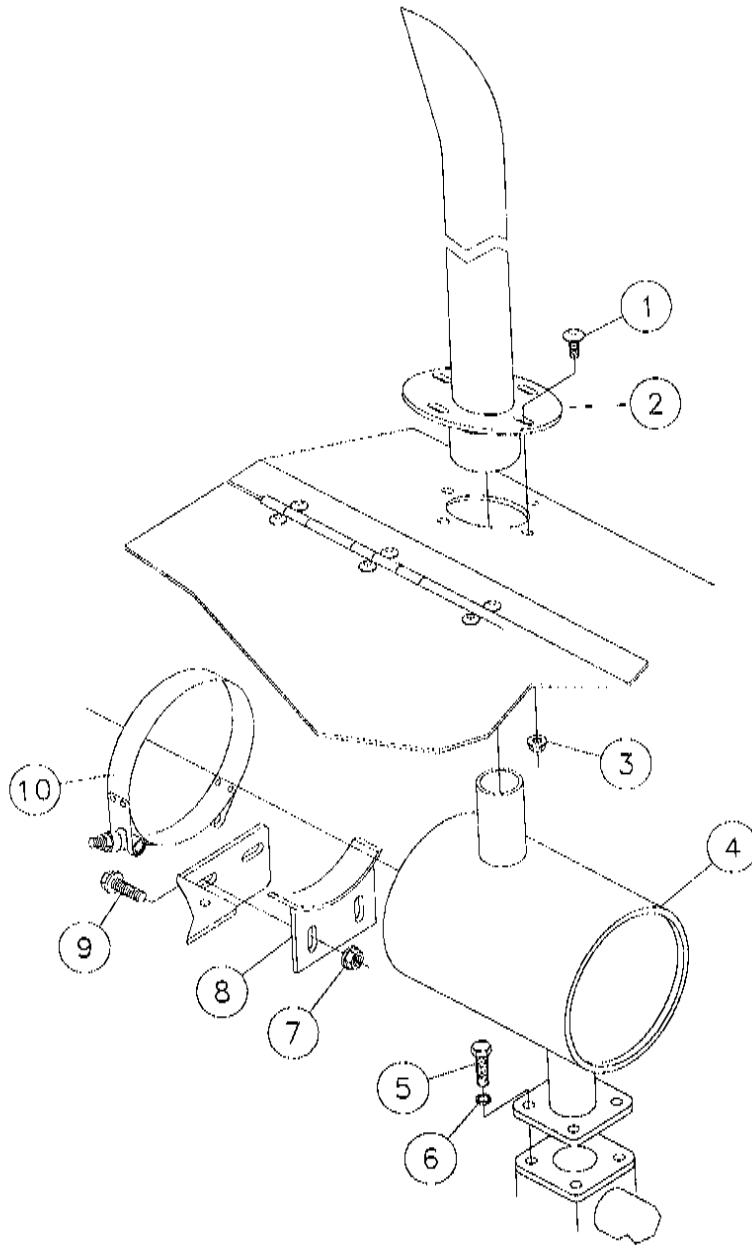


| REF. NO. | PART NO. | DESCRIPTION | QTY. |
|----------|----------|--|------|
| 3-7 | 1 | 63949-001 BOTTLE-UV CNTRL THCK WALL CLNT | 1 |
| | | 63948-001 CAP-70MM G. | 1 |
| 3-7 | 2 | 229338-001 MOUNT-COOLANT BOTTLE | 1 |
| 3-7 | 3 | 25245-001 HOSE CLAMP-3 1/4 | 2 |
| 3-7 | 4 | 4474-006 BOLT-5/16-18X3/4 FLANGE WHIZ | 2 |
| 3-7 | 5 | 408-001 NUT-5/16 NC FLG WHIZ LOCK | 2 |
| 3-7 | 6 | 2326-920 DECAL-COOLANT BOTTLE LEVEL | 1 |

MUFFLER ASSEMBLY

Figure 3-8

Revised April 1996 due to update of exhaust pipe & addition of muffler support.
Changed/added parts marked with *.

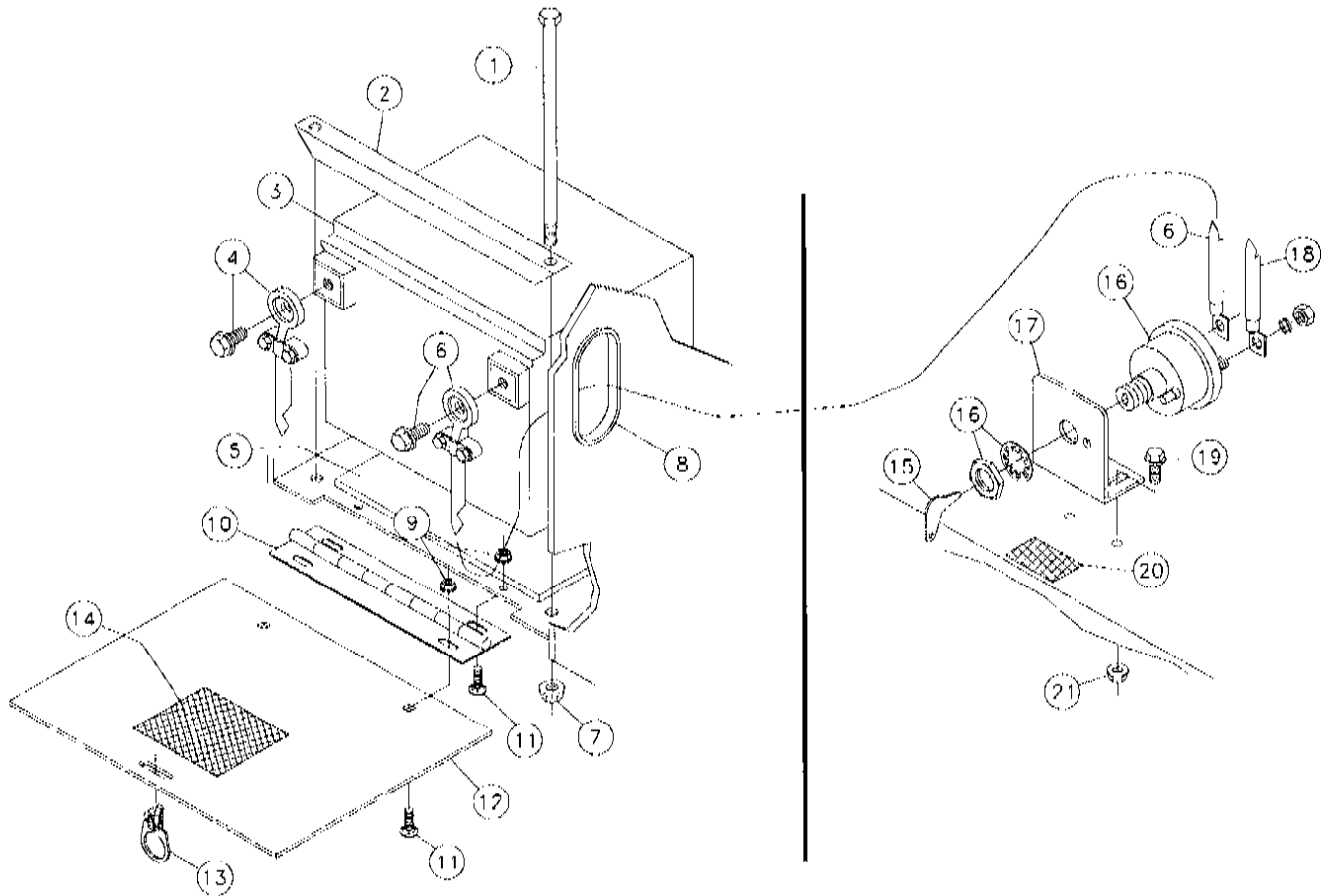


| <u>REF. NO.</u> | <u>PART NO.</u> | <u>DESCRIPTION</u> | <u>QTY.</u> |
|-----------------|-----------------|---|-------------|
| 3-8 | 1 | *374-006 BOLT-5/16-18X3/4 CARRIAGE | 4 |
| 3-8 | 2 | *234675-001 PIPE-EXHAUST | 1 |
| 3-8 | 3 | *408-001 NUT -5/16-18 FLG. WHIZ LOCK | 4 |
| 3-8 | 4 | 227237-001 MUFFLER-EXHAUST | 1 |
| 3-8 | 5 | 119512-001 BOLT-M8 X 1.25-25MM HEX HEAD | 4 |
| 3-8 | 6 | 17393-001 WASHER-8M LOCK | 4 |
| 3-8 | 7 | *4536-001 NUT-3/8"-16 FLG WHIZ LOCK | 2 |
| 3-8 | 8 | *234670-001 SUPPOT-MUFFLER | 1 |
| 3-8 | 9 | *4475-012 BOLT-3/8"-16X1 1/2" FLG WHIZ | 2 |
| 3-9 | 10 | *109697-001 CLAMP-6" T-BOLT | 1 |

BATTERY ASSEMBLY

Figure 3-9

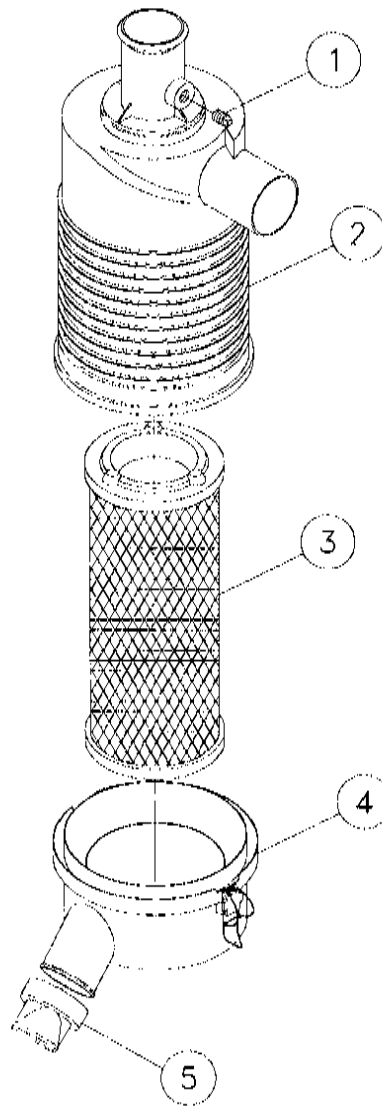
Revised November 1996 due to decal update. Added part marked with *.



| REF. NO. | PART NO. | DESCRIPTION | QTY. | REF. NO. | PART NO. | DESCRIPTION | QTY. |
|----------|----------|---|------|----------|----------|--|------|
| 3-9 | 1 | 354-080 3/8-16X8 GR 5 HEX BOLT | 2 | 3-9 | 12 | 229271-001 DOOR BATTERY | 1 |
| 3-9 | 2 | 227023-001 BAR-BATTERY CLAMP | 1 | 3-9 | 13 | 86113-001 FASTENER-1/4 TURN | 1 |
| 3-9 | 3 | N/A BATTERY | 1 | 3-9 | 14 | 70000-044 DECAL-WARNING(AT/UND) | 1 |
| 3-9 | 4 | 229365-001 CABLE-BATTERY 4GA.X40 P-E | 1 | 3-9 | 14 | *70001-044 DECAL-WARNING (INTERNATIONAL) | 1 |
| 3-9 | 5 | 229373-001 PAD-BATTERY | 1 | 3-9 | 15 | 87356-003 KEY | 1 |
| 3-9 | 6 | 229364-001 CABLE-BATTERY 4GA.X18 N-E | 1 | 3-9 | 16 | 904365-001 SWITCH-DISCONNECT | 1 |
| 3-9 | 7 | 4536-001 NUT - 3/8-16 FLG. WHIZ LOCK | 2 | 3-9 | 17 | 229476-001 MOUNT-DISCONNECT SWITCH | 1 |
| 3-9 | 8 | 4225-001 FLEX STEEL CORE (SPECIFY LENGTH) | | 3-9 | 18 | 219380-001 STRAP-GROUND (4 GA.X12") | 1 |
| 3-9 | 9 | 405-001 NUT-1/4 NC FLG WHIZ LOCK | 4 | 3-9 | 19 | 4474-006 BOLT-5/16"-18X3/4" FLG WHIZ | 2 |
| 3-9 | 10 | 229272-001 HINGE BATTERY DOOR | 1 | 3-9 | 20 | 7001A-477 DECAL-BATTERY SWITCH | 1 |
| 3-9 | 11 | 373-005 BOLT-1/4-20X5/8 GR5 CARRIAGE | 4 | 3-9 | 21 | 408-001 NUT-5/16"-18 FLG WHIZ | 2 |

AIR CLEANER COMPONENTS

Figure 3-10

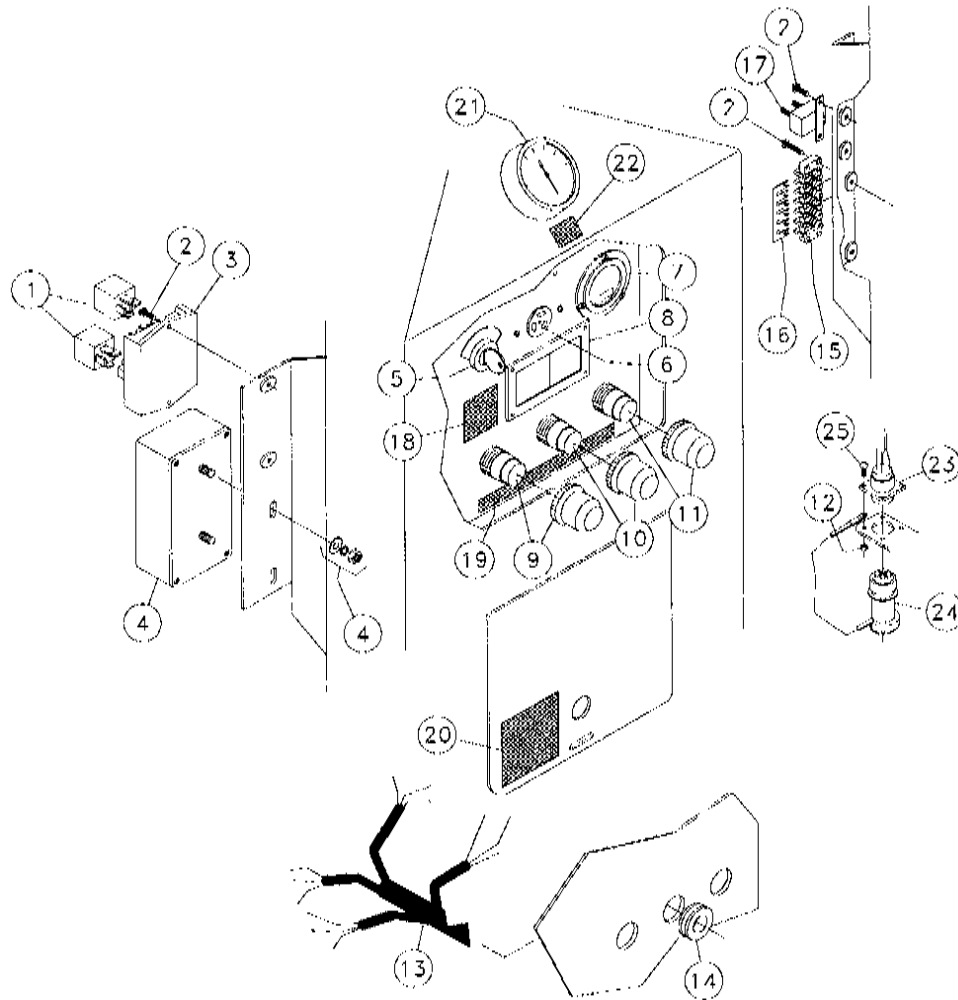


| REF. NO. | PART NO. | DESCRIPTION | QTY. |
|----------|------------|--|------|
| 3-10 | 1 | 224285-003 PLUG | 1 |
| 3-10 | 2 | 224285-005 BODY ASSEMBLY | 1 |
| 3-10 | 3 | 224285-007 ELEMENT ASSEMBLY | 1 |
| 3-10 | 4 | 224285-009 COVER ASSEMBLY | 1 |
| 3-10 | 5 | 224285-011 VALVE | 1 |
| | 224285-001 | AIR CLEANER ASSEMBLY INC. REF. 1-5) | |

CONTROL PANEL ASSEMBLY

Figure 4-1

Revised November 1996 due to hardware & decal updates & grommet quantity correction.
 Changed/added parts marked with *.

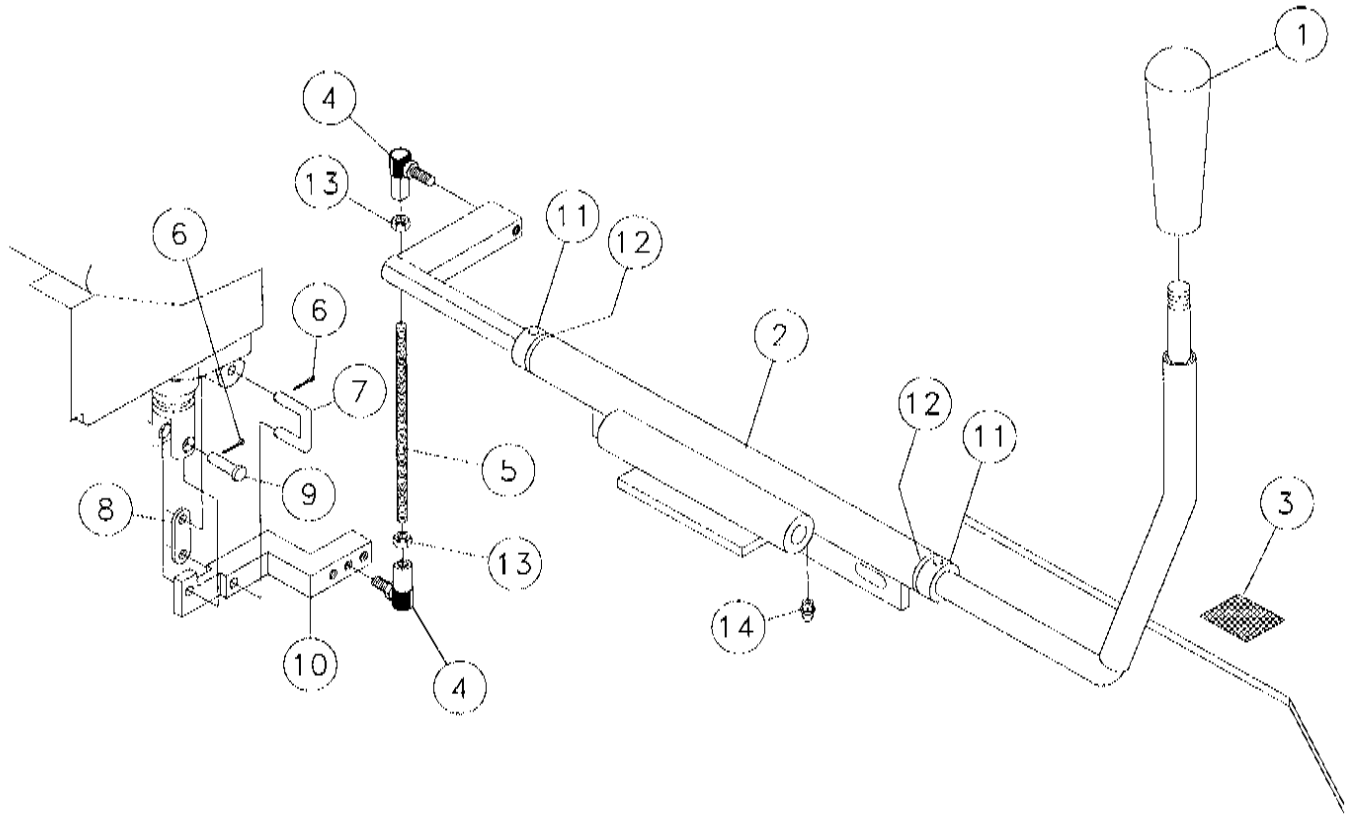


| REF. NO. | PART NO. | DESCRIPTION | QTY. | REF. NO. | PART NO. | DESCRIPTION | QTY. |
|----------|----------|---|------|----------|------------|---------------------------------------|------|
| 4-1 | 1 | 219137-001 RELAY-BOSCH NO/NC 20/30 AMP | 2 | | 215996-001 | BUTTON-BLACK EXTENDED CONTACT | 1 |
| 4-1 | 2 | 1802-010 BOLT - 3/16" X 1" NC STOVE | 6 | | 215996-001 | BUTTON-BLACK EXTENDED CONTACT | 1 |
| 4-1 | 3 | 219106-001 CONTROL MODULE-DSR | 1 | | 215997-001 | BOOT-BLACK RUBBER | 1 |
| 4-1 | 4 | 217231-001 ZAP ALERT-CURRENT SENSE | 1 | | 215998-001 | BLOCK-N.C. CONTACT | 1 |
| 4-1 | 5 | 218420-007 KEYSWITCH-E01 KIT | 1 | 4-1 | 11 | 217971-001 BUTTON ASSY - CURRENT TEST | 1 |
| | | 218420-079 KEYS-IGNITION (PAIR) | 1 | | 215992-001 | BUTTON-GREEN FLUSH CONTACT | 1 |
| 4-1 | 6 | 904346-001 BUZZER | 1 | | 215993-001 | BOOT-GREEN RUBBER | 1 |
| | | 905001-001 BOLT-8-32 X 2 STOVE | 2 | | 904423-001 | CONTACT BLOCK | 1 |
| | | 904995-001 WASHER-8 INTERNAL STAR | 2 | 4-1 | 12 | *69757-001 NUT-6-32 NYLON | 2 |
| | | 399-001 NUT-8-32 HEX | 2 | 4-1 | 13 | 229435-001 WIRING HARNESS-KUBOTA (D6) | 1 |
| 4-1 | 7 | 215914-001 GAUGE-HR METER 876EM SLD.STATE | 1 | 4-1 | 14 | *902402-001 GROMMET-1 1/2"RUBBER | 3 |
| 4-1 | 8 | 219212-001 LIGHT MODUAL-STARTER INTERLOCK | 1 | 4-1 | 15 | 26452-001 TERMINAL-2006 | 1 |
| | | 219236-001 WINDOW-DISPLAY | 1 | 4-1 | 16 | 26453-001 TERMINAL JUMPER-267-A42-6 | 1 |
| | | 218810-001 HOLD DOWN-MODULE | 1 | 4-1 | 17 | 64075-001 BREAKER-RAMCO 12A30A2-0001 | 1 |
| | | *63737-001 SCREW-6-32 X 1/2" MACHINE | 4 | 4-1 | 18 | 7000A-062 DECAL-IGNITION | 1 |
| | | *69757-001 NUT-6-32 NYLON | 4 | 4-1 | 19 | 7000A-081 DECAL-CONTROLS | 1 |
| 4-1 | 9 | 215991-001 STRIKE ALERT TEST BUTTON ASSY | 1 | 4-1 | 20 | 2326-940 DECAL-NOTICE TO OWNERS | 1 |
| | | 215992-001 BUTTON-GREEN FLUSH CONTACT | 1 | 4-1 | 21 | 904537-001 GAUGE-5000 PSI SPAN | 1 |
| | | 215993-001 BOOT-GREEN RUBBER | 1 | 4-1 | 22 | 7001A-526 DECAL-ROTATION PRESSURE | 1 |
| | | 215994-001 BLOCK-N.O. CONTACT | 1 | 4-1 | 23 | 229393-001 SOCKET-GROUND | 1 |
| 4-1 | 10 | 215995-001 STRIKE ALERT RESET BUTTON ASSY | 1 | 4-1 | 24 | 229395-001 PLUG-GROUND CAP | 1 |
| | | 215995-001 STRIKE ALERT RESET BUTTON ASSY | 1 | 4-1 | 25 | *63737-001 SCREW-6-1/2" MACH | 4 |

ROTATION CONTROL LEVER ASSEMBLY

Figure 4-2

Revised November 1996 due to addition of shrink tube to control assy. Changed/added parts marked with *.

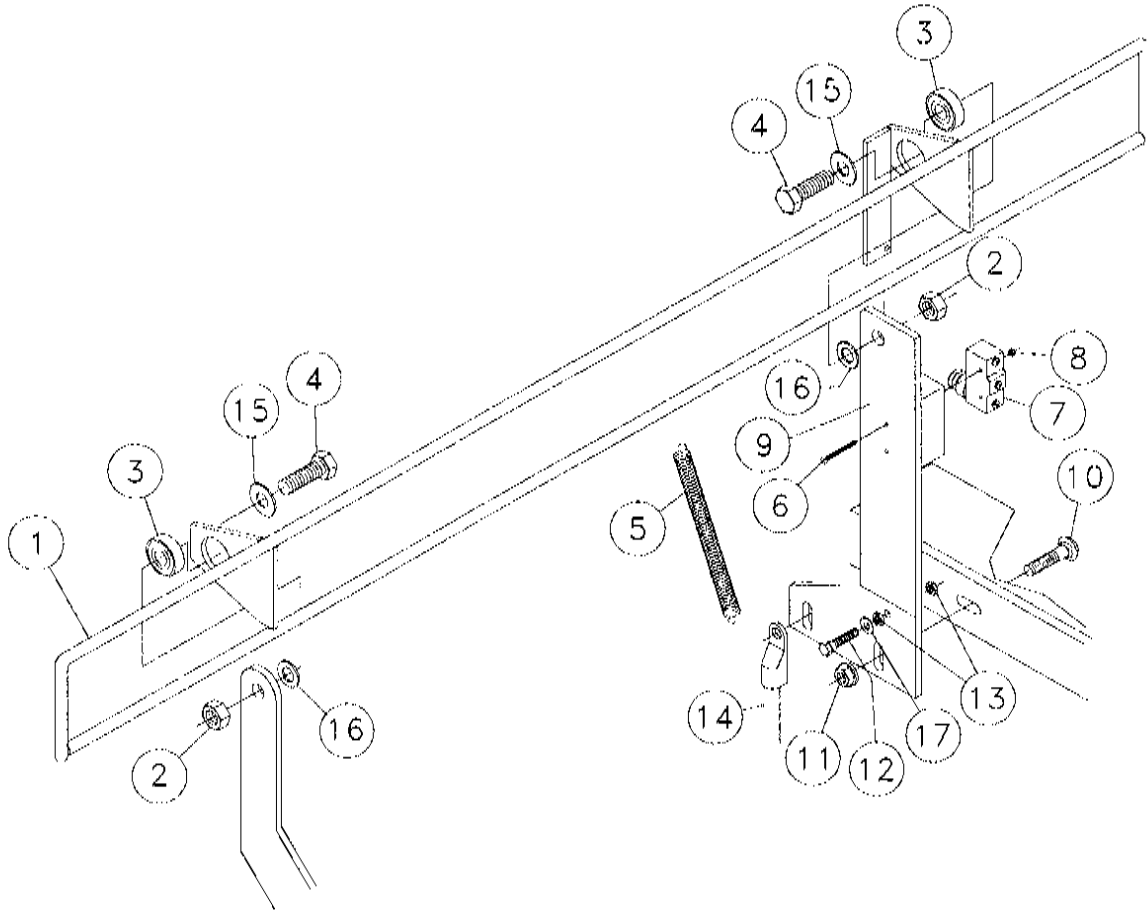


| REF. NO. | PART NO. | DESCRIPTION | QTY. |
|----------|-------------|--|------|
| 4-2 | 1 | 905225-001 CONTROL HANDLE | 1 |
| 4-2 | 2 | *231181-001 CONTROL ASSY. - SEAT MOUNT (INC. SHRINK TUBE) | 1 |
| | *209065-007 | SHRINK TUBE-3/4" X 11 1/4" | 1 |
| 4-2 | 3 | 7000A-036 DECAL-CONTROLS | 1 |
| 4-2 | 4 | 1489-001 BALL JOINT - 1/4" SP1002 CP | 2 |
| 4-2 | 5 | 204747-009 ROD-1/4"NF THRD-6.00 | 1 |
| 4-2 | 6 | 510-035 PIN-3/32 X 1/2 COTTER | 3 |
| 4-2 | 7 | 4333-003 LINK (INC. REF. 8) | 1 |
| 4-2 | 8 | 4333-005 PLATE-LINK | 1 |
| 4-2 | 9 | 2110-003 PIN-CLEVIS 1/4X7/8 - 47/64 UL | 1 |
| 4-2 | 10 | 219344-001 ARM-VALVE | 1 |
| 4-2 | 11 | 1500-005 SET COLLAR - 5/8 PLATED | 2 |
| 4-2 | 12 | 209-017 BUSHING-NYLINER 5/8ID X 5/8 | 2 |
| 4-2 | 13 | 14881-001 NUT-1/4-28 NF HEX JAM | 2 |
| 4-2 | 14 | 598-001 ZERK-1/4" NF ST GREASE | 1 |

SAFETY BAR ASSEMBLY

Figure 4-3

Revised April 1996 due to addition of washer. Added part marked with .

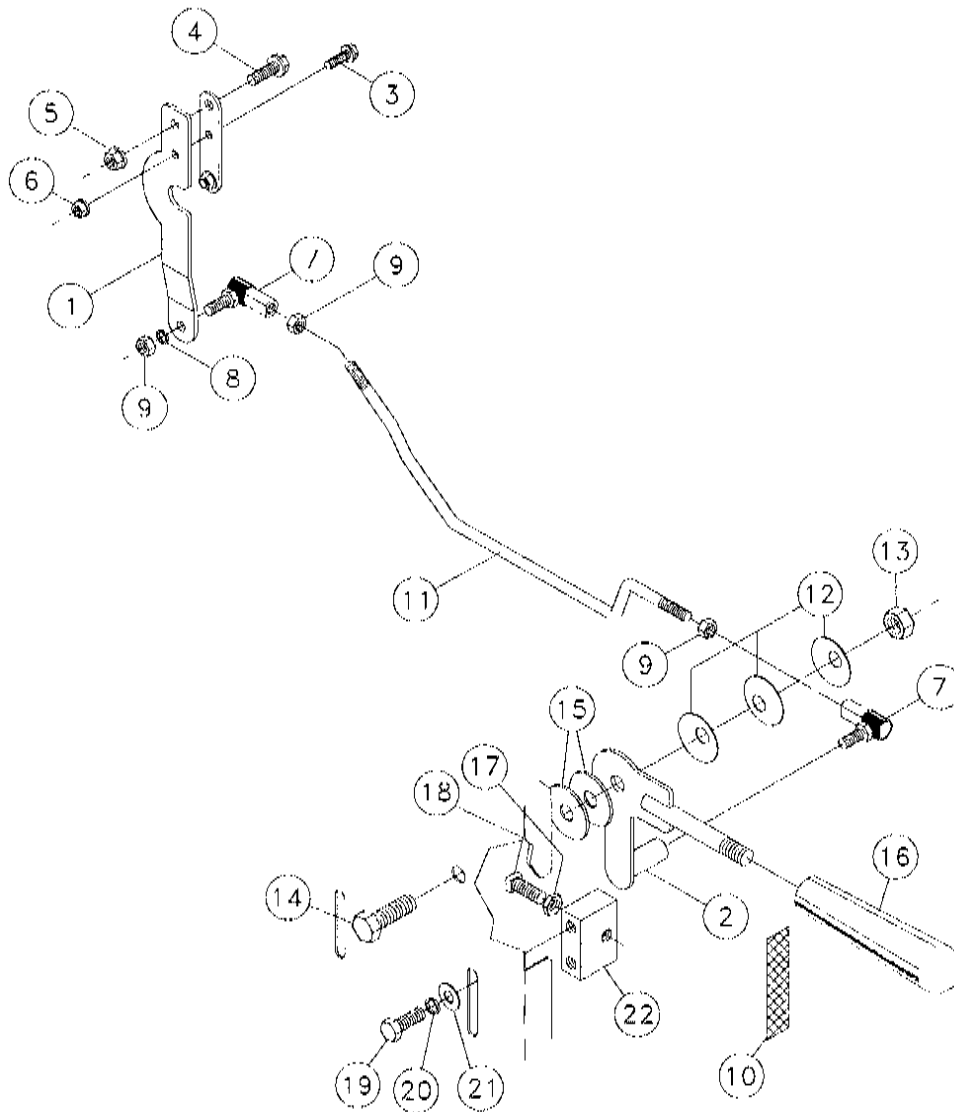


| <u>REF. NO.</u> | <u>PART NO.</u> | <u>DESCRIPTION</u> | <u>QTY.</u> |
|-----------------|-----------------|---|-------------|
| 4-3 | 1 | 217885-001 BAR-SAFETY | 1 |
| 4-3 | 2 | 423-001 NUT-1/2 NC SLTL UTB | 2 |
| 4-3 | 3 | 1745-001 BRG. DS 1616 1/2" | 2 |
| 4-3 | 4 | 358-014 BOLT-1/2-13X1 1/2"GRADE#5 HEX | 2 |
| 4-3 | 5 | 1789-009 SPRING - EXTENSION 5" | 1 |
| 4-3 | 6 | 93831-001 BOLT-6-32UNCX1 1/4 STOVE | 2 |
| 4-3 | 7 | 219154-001 SWITCH-15A SCWT .047"PT WTRPRF | 1 |
| 4-3 | 8 | 69757-001 LOCKNUT-#6-32 NYLON INSERT PLT | 2 |
| 4-3 | 9 | 229256-001 MOUNT- SAFETY SWITCH | 1 |
| 4-3 | 10 | 375-012 3/8-16X1 1/4"GD#5CARRIAGE BOLT | 2 |
| 4-3 | 11 | 4536-001 NUT - 3/8-16 FLG. WHIZ LOCK | 2 |
| 4-3 | 12 | 350-012 1/4-20X1 1/4IN.GRADE#5HEX BOLT | 1 |
| 4-3 | 13 | 402-001 NUT-1/4 NC HEX JAM | 2 |
| 4-3 | 14 | 219380-001 STRAP-GROUND 4 GA.X12" | 1 |
| 4-3 | 15 | 480-011 WASHER-1/2 S/T LOCK | 2 |
| 4-3 | 16 | 4542-005 WSHR-7/8OD X1/2ID X18 GA MB | 2 |
| 4-3 | 17 | 485-001 WASHER-1/4" FLAT | 1 |

THROTTLE LEVER ASSEMBLY

Figure 4-4

Revised November 1996 due to updates of throttle plate & throttle rod. Changed parts marked with *.

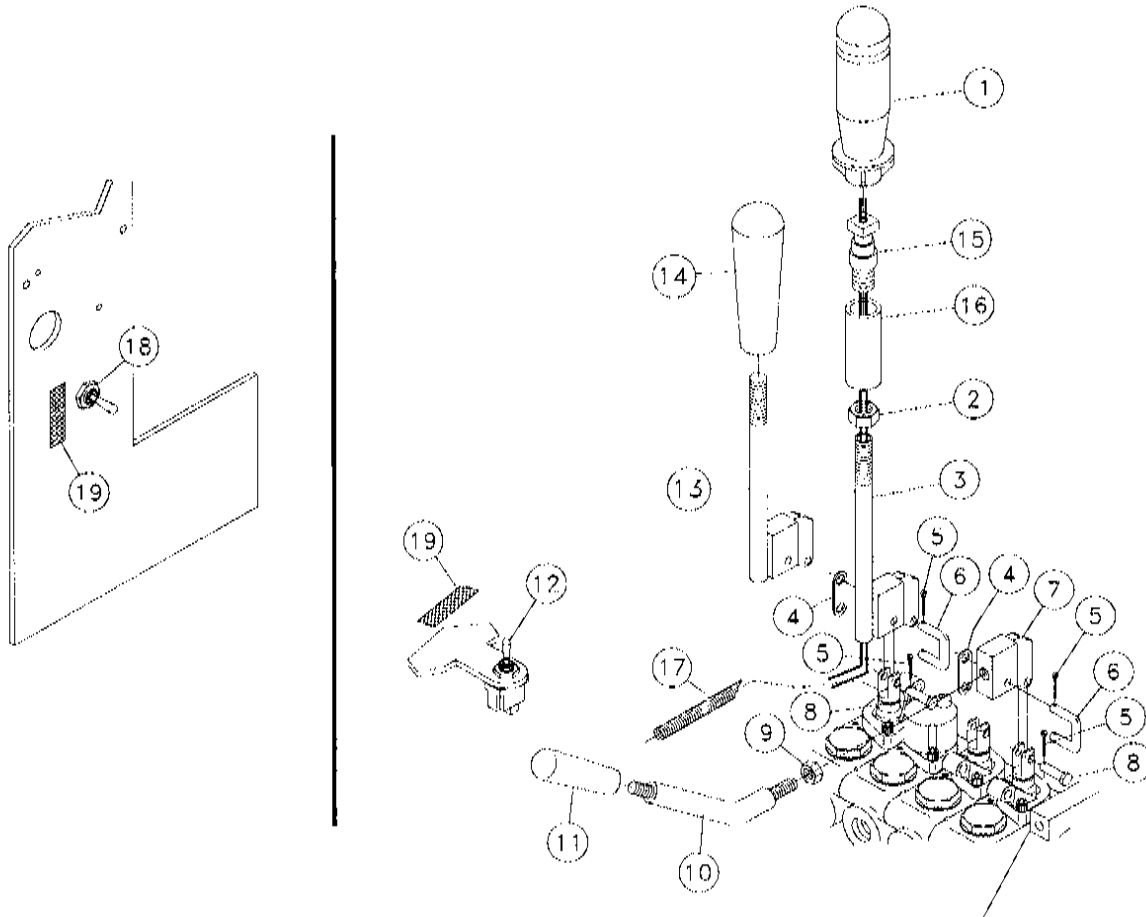


| REF. NO. | PART NO. | DESCRIPTION | QTY. | REF. NO. | PART NO. | DESCRIPTION | QTY. |
|----------|----------|-------------|------|----------|----------|-------------|------|
| 4-4 | 1 | *217956-001 | 1 | 4-4 | 12 | 63471-001 | 3 |
| 4-4 | 2 | 227147-001 | 1 | 4-4 | 13 | 423-001 | 1 |
| 4-4 | 3 | 4473-006 | 1 | 4-4 | 14 | 358-014 | 1 |
| 4-4 | 4 | 4474-006 | 1 | 4-4 | 15 | 67892-001 | 2 |
| 4-4 | 5 | 1809-007 | 1 | 4-4 | 16 | 905225-001 | 1 |
| 4-4 | 6 | 1809-005 | 1 | 4-4 | 17 | 413-001 | 2 |
| 4-4 | 7 | 4153-001 | 2 | 4-4 | 18 | 549-012 | 2 |
| 4-4 | 8 | 480-005 | 1 | 4-4 | 19 | 354-010 | 4 |
| 4-4 | 9 | 445-001 | 3 | 4-4 | 20 | 480-007 | 4 |
| 4-4 | 10 | 7000A-087 | 2 | 4-4 | 21 | 485-007 | 4 |
| 4-4 | 11 | *229275-001 | 1 | 4-4 | 22 | 219436-001 | 2 |

CONTROL VALVE HANDLE ASSEMBLY

Figure 4-5

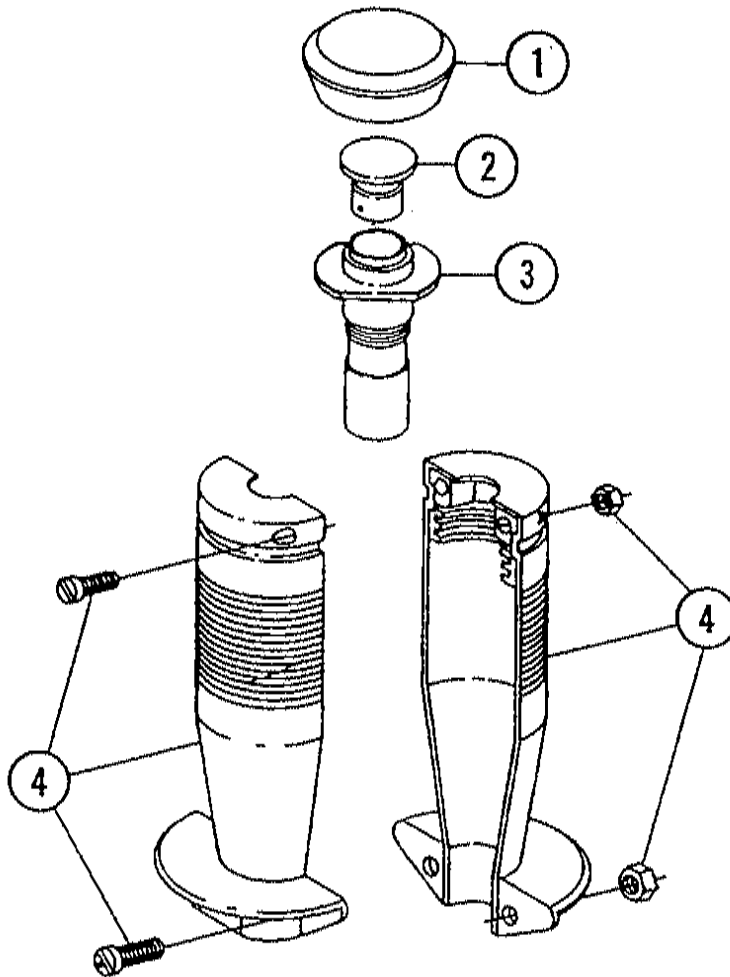
Revised November 1996 due to addition of shrink tube to valve handle. Changed/added parts marked with *.



| REF. NO. | PART NO. | DESCRIPTION | QTY. | REF. NO. | PART NO. | DESCRIPTION | QTY. |
|----------|----------|---|------|----------|----------|--|------|
| 4-5 | 1 | 216780-001 HANDLE ASSY-CONTROL (BREAKDOWN FIG. 4-6) | 1 | 4-5 | 11 | *208065-005 SHRINK TUBE (3/4" X 4 1/2") | 1 |
| 4-5 | 2 | 452-001 NUT-5/16-18 NF HEX | 1 | 4-5 | 12 | 208696-001 HANDLE-VALVE CONTROL | 2 |
| 4-5 | 3 | 219301-001 HANDLE-CONTROL | 1 | 4-5 | 13 | 67292-001 SWITCH-TOGGLE 8500K9 SEALED | 1 |
| 4-5 | 4 | 4333-005 PLATE-LINK | 3 | 4-5 | 14 | 219362-001 HANDLE-CONTROL | 1 |
| 4-5 | 5 | 510-035 PIN-3/32 X 1/2 COTTER | 9 | 4-5 | 15 | 905225-001 CONTROL HANDLE | 1 |
| 4-5 | 6 | 4333-003 LINK- | 3 | 4-5 | 16 | 216293-001 ROD-JOYSTICK | 1 |
| 4-5 | 7 | 93641-001 BRACKET-HANDLE MOUNT | 2 | 4-5 | 17 | 216295-001 TUBE-EXTENSION | 1 |
| 4-5 | 8 | 2110-003 PIN-CLEVIS 1/4X7/8 - 47/64 UL | 3 | 4-5 | 18 | 89675-001 SHRINK TUBE HSTT.375-TR (SPECIFY LENGTH) | 1 |
| 4-5 | 9 | 412-001 NUT-3/8 NC HEX | 2 | 4-5 | 19 | 86580-001 SWITCH-DPST ON-ON | 1 |
| 4-5 | 10 | *231182-001 ROD ASSY.-VALVE HANDLE (INC. SHRINK TUBE) | 1 | 4-5 | 19 | 7000A-034 DECAL-WATER PUMP | 2 |

CONTROL HANDLE COMPONENTS

Figure 4-6

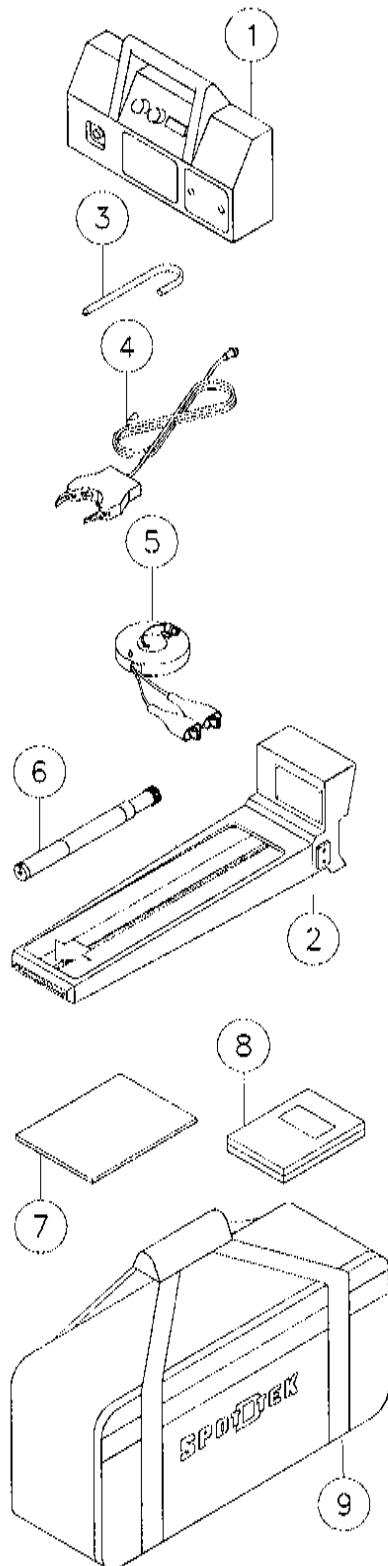


| REF. NO. | PART NO. | DESCRIPTION | QTY. |
|----------|------------|--|------|
| 4-6 | 1 | 216780-009 BOOT-RUBBER (RED) | 1 |
| 4-6 | 2 | 216780-007 ACTUATOR-BLACK SWITCH | 1 |
| 4-6 | 3 | 216780-005 SWITCH-SPDT | 1 |
| 4-6 | 4 | 216780-003 HANDLE ASSY | 1 |
| | 216780-001 | HANDLE ASSY-CONTROL (INC. REF. 1-4) | |

LOCATION PACKAGE, SPOT D TEK II.2 UTILITY

Figure 5-1

Revised November 1996 due to relocation of figure in manual.



| REF. NO. | PART NO. | DESCRIPTION | QTY. |
|----------|----------|--|------|
| 5-1 | 1 | 213900-003 TRANSMITTER FOR SPOT D TEK II | 1 |
| | | 213900-019 SUNSCREEN FOR TRANSMITTER | 1 |
| 5-1 | 2 | 215941-001 RECEIVER II.2 | 1 |
| 5-1 | 3 | 213900-013 GROUND STAKE-SPOT D TEK II | 1 |
| 5-1 | 4 | 213900-007 EXTERNAL COIL - SPOT D TEK II | 1 |
| 5-1 | 5 | 213900-015 DIRECT CONNECTION CABLE | 1 |
| 5-1 | 6 | 215942-001 DIR. PROBE II.2 W/ BATTERRIES | 1 |
| 5-1 | 7 | 215938-003 OPERATIONAL MANUAL | 1 |
| 5-1 | 8 | 213900-021 VIDEO TAPE | 1 |
| 5-1 | 9 | 213900-009 CASE FOR SPOT D TEK II | 1 |

215938-001 SPOT D TEK II.2 UTILITY LOC. PCK
(INC. REF. 1-9)

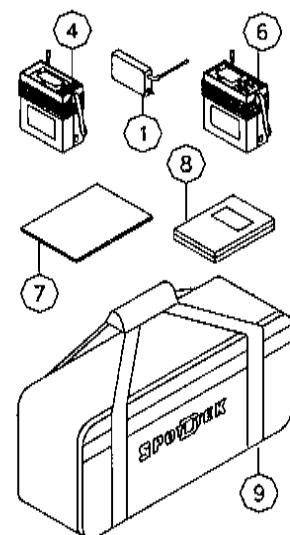
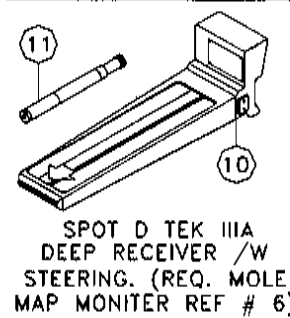
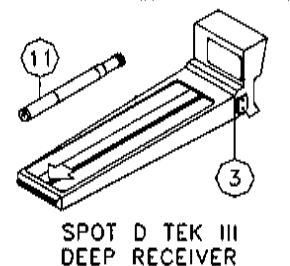
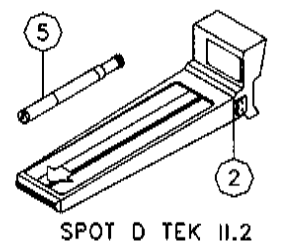
ACCESSORIES

213900-023 SUNSCREEN-RECEIVER/II.2 MONITOR
213900-025 RAINCOVER-RECEIVER

LOCATION PACKAGE, SPOT D TEK II.2, III & IIIA

Figure 5-2

Revised November 1996 due to relocation of figure to manual.



| REF. NO. | PART NO. | DESCRIPTION | QTY. |
|----------|------------|---|------|
| 5-2 1 | 213902-005 | WIRELESS TRANSMITTER | 1 |
| 5-2 2 | 215941-001 | RECEIVER II.2 | 1 |
| 5-2 3 | 231197-003 | RECEIVER-III | 1 |
| 5-2 4 | 215943-001 | WIRELESS MONITOR II.2 | 1 |
| 5-2 5 | 215942-001 | DIR.PROBE II.2 | 1 |
| 5-2 6 | 231109-001 | MONITOR - MOLE MAP | 1 |
| 5-2 7 | 215938-003 | OPERATIONAL MANUAL | 1 |
| 5-2 8 | 215940-003 | VIDEO TAPE-INSTRUCTIONAL (LOCATING W/ PROBES) | 1 |
| 5-2 9 | 213900-009 | CASE FOR SPOT D TEK II | 1 |
| 5-2 10 | 231111-003 | RECEIVER-III A | 1 |
| 5-2 11 | 231110-001 | SPOT-D-TEK DEEP SONDE | 1 |
| | 215940-001 | SPOTDTEK II.2 REMOTE MON. PKG. (INC. REF. 1 & 4) | |
| | 215939-001 | SPOTDTEK II.2 DIRECT BORE PKG. (INC. REF. 2, 5 & 7-9) | |
| | 231197-001 | SPOT-D-TEK III DEEP RECEIVER (INC. REF. 3 & 7-9) | |
| | 231111-001 | SPOT-D-TEK IIIA DEEP REC W/REM STEERING FUNCTION (INC. REF. 7-9 & 10) | |

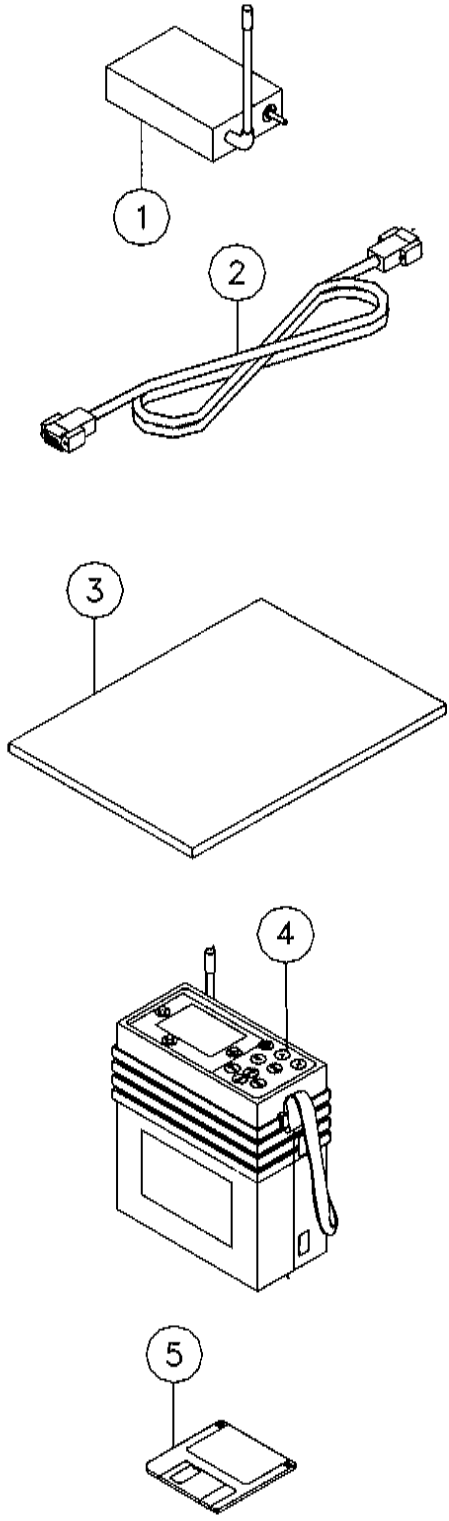
ACCESSORIES

| | |
|------------|-------------------------------|
| 216871-001 | ANTENNA-TRANSMITTER/MONITOR |
| 213900-023 | SUNSCREEN-RECEIVER II.2 MONIT |
| 213900-025 | RAINCOVER-RECEIVER |
| 213902-011 | RAINCOVER-II.2 MONITOR |
| 238762-001 | SUNSCREEN-MOLE MAP MONITOR |
| 238763-001 | RAIN COVER-MOLE MAP MONITOR |

LOCATION PACKAGE, SPOT D TEK MOLE MAPPING SYSTEM

Figure 5-3

Revised November 1996 due to relocation of figure to manual.



| REF. NO. | PART NO. | DESCRIPTION | QTY. |
|----------|----------|---|------|
| 5-3 | 1 | 213902-005 WIRELESS TRANSMITTER (INC. REF. 3) | 1 |
| 5-3 | 2 | 231109-005 COMPUTER CORD | 1 |
| 5-3 | 3 | 231109-007 OPERATIONAL MANUAL | 1 |
| 5-3 | 4 | 231109-001 MONITOR-MOLE MAP | 1 |
| 5-3 | 5 | 231109-003 MAPPING SOFTWARE REPLACE DISK | 1 |
| | | 231113-001 MAPPING SYSTEM COMPLETE (INC. REF. 1-5) | |

ACCESSORIES

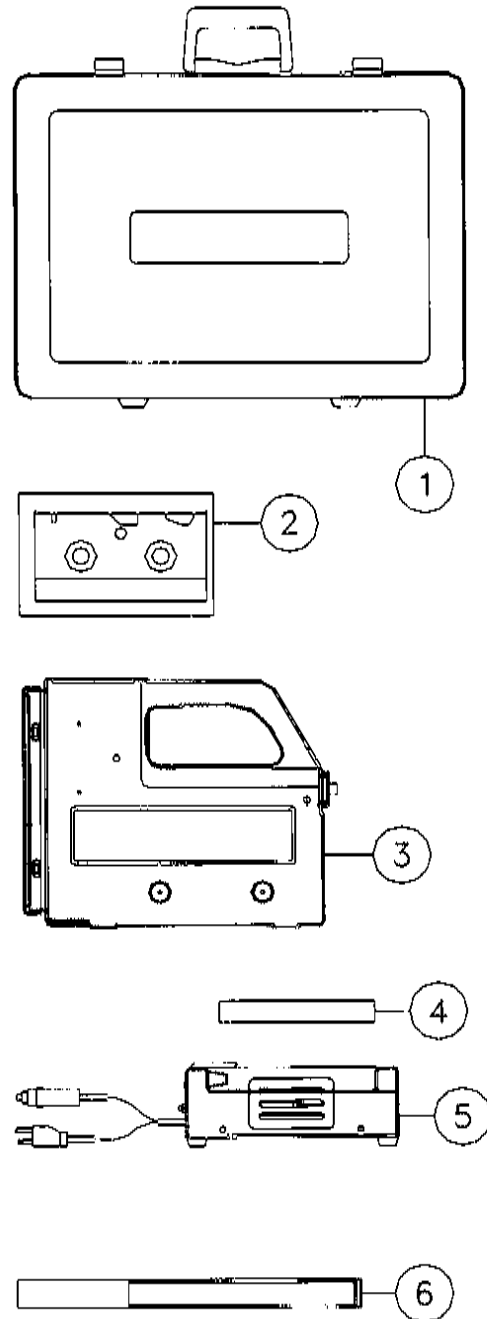
| | |
|------------|-----------------------------|
| 238763-001 | RAIN COVER-MOLE MAP MONITOR |
| 238762-001 | SUNSCREEN-MOLE MAP MONITOR |
| 216871-001 | ANTENNA-TRANSMITTER/MONITOR |

LOCATION PACKAGE, MARK III - DIGITRAK - DOMESTIC AND INTERNATIONAL

Figure 5-4

Revised November 1996 due to addition of Mark III to manual.

| REF. NO. | PART NO. | DESCRIPTION | QTY. |
|----------|------------|---|------|
| 5-4 | 1 | 213389-011 DIGITRAK CARRYING CASE | 1 |
| 5-4 | 2 | 231990-001 DIGITRAK OP. MAN. TRAIN VIDEO | 1 |
| 5-4 | 3 | 231991-001 DIGITRAK RECEIVER-ENGLISH/METR | 1 |
| 5-4 | 4 | 213389-009 DIGITRAK BATTERY PACK | 2 |
| 5-4 | 5 | 213389-007 DIGITRAK SMART CHARGER 115/230V | 1 |
| 5-4 | 6 | 221806-001 SONDE-15' BLUE | 1 |
| | | 221643-001 SONDE-50' RED | 1 |
| | | 213086-001 O-RING #122 | 3 |
| | | 213389-005 SONDE-30' YELLOW | 1 |
| | 231212-001 | DIGITRAK STD.LOCATOR(US/CAN) (INC. REF. 1-5) | |

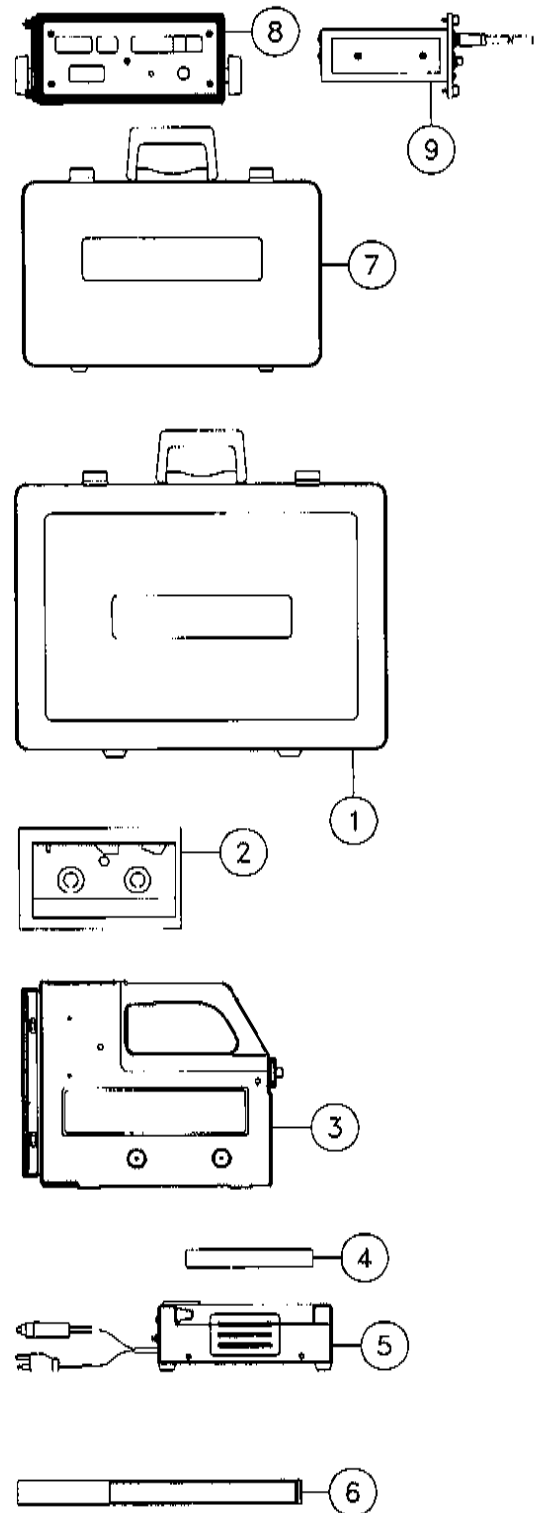


LOCATION PACKAGE, MARK III - DIGITRAK (W/ REMOTE DISPLAY) DOMESTIC

Figure 5-5

Revised November 1996 due to addition of Mark III to manual.

| REF. NO. | PART NO. | DESCRIPTION | QTY. STD. | CABLE SONDE |
|----------|----------|--|-----------|-------------|
| 5-5 | 1 | 213389-011 | 1 | 1 |
| 5-5 | 2 | 231990-001 | 1 | 1 |
| 5-5 | 3 | 231992-001 | 1 | 1 |
| 5-5 | 4 | 213389-009 | 2 | - |
| 5-5 | 5 | 213389-007 | 1 | - |
| 5-5 | 6 | 221806-001 | 1 | - |
| | | 221643-001 | 1 | - |
| | | 226197-001 | 1 | - |
| | | 226200-001 | - | 1 |
| | | 226199-001 | - | 1 |
| | | 213086-001 | 3 | 3 |
| | | 213389-005 | 1 | - |
| 5-5 | 7 | 221658-001 | 1 | 1 |
| 5-5 | 8 | 231993-001 | 1 | 1 |
| | | 231994-001 | - | 1 |
| 5-5 | 9 | 226195-001 | - | 1 |
| | | 231218-001 | | |
| | | DCI REMOTE LOCATOR SYS(US/CAN) (INC. REF. 1-5, 7 & 8) | | |
| | | 231221-001 | | |
| | | DCI REM CABLE SONDE SYS(US/CAN) (INC. REF. 1-3 & 7-9) | | |

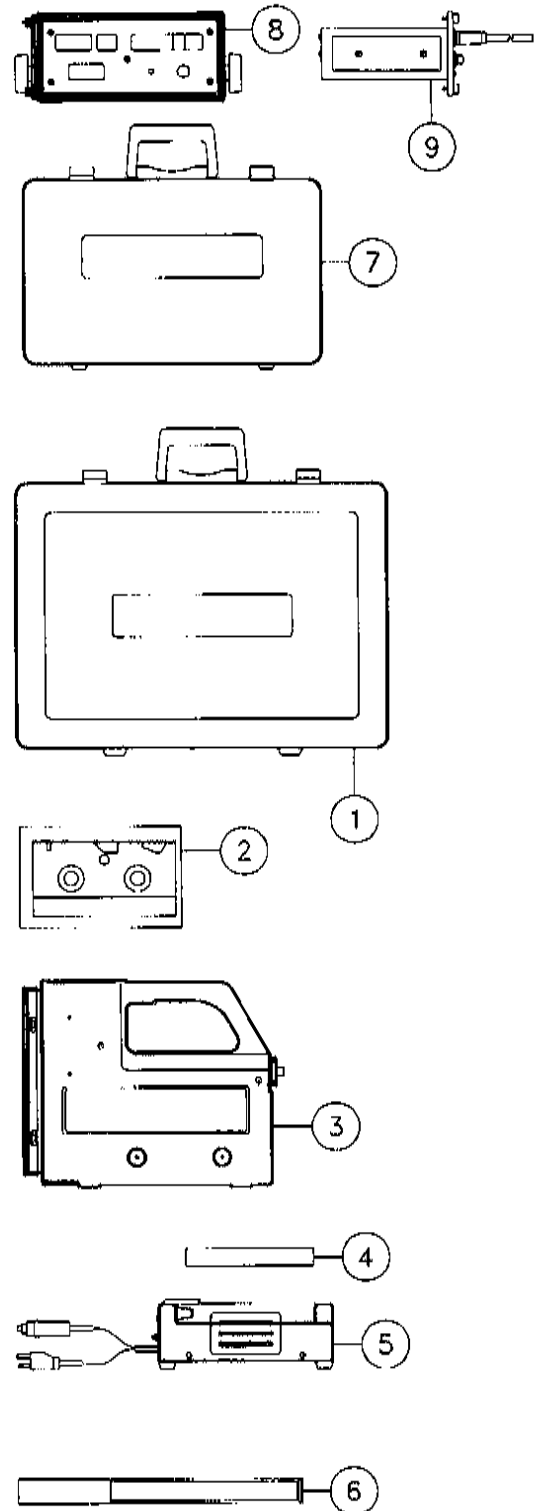


LOCATION PACKAGE, MARK III - DIGITRAK (W/ REMOTE DISPLAY) INTERNATIONAL

Figure 5-6

Revised November 1996 due to addition of figure to manual.

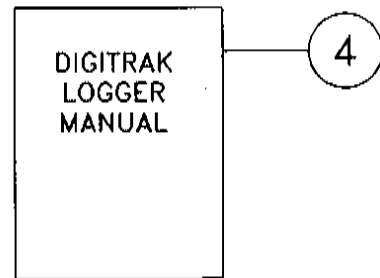
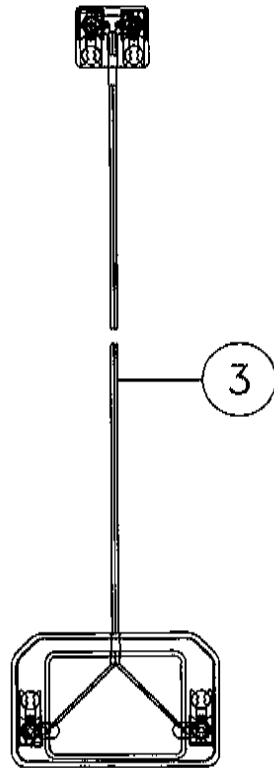
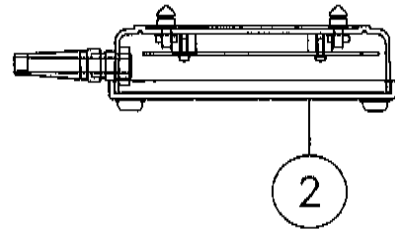
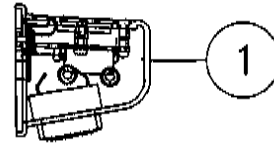
| REF. NO. | PART NO. | DESCRIPTION | QTY. STD. | CABLE SONDE |
|----------|----------|------------------------------|-----------|-------------|
| 5-6 | 1 | 213389-011 | 1 | 1 |
| 5-6 | 2 | 231990-001 | 1 | 1 |
| 5-6 | 3 | 231995-001 | 1 | 1 |
| | | 231996-001 | 1 | 1 |
| 5-6 | 4 | 213389-009 | 2 | - |
| 5-6 | 5 | 213389-007 | 1 | - |
| 5-6 | 6 | 221806-001 | 1 | - |
| | | 221643-001 | 1 | - |
| | | 226197-001 | 1 | - |
| | | 226200-001 | - | 1 |
| | | 226199-001 | - | 1 |
| | | 213086-001 | 3 | 3 |
| | | 213389-005 | 1 | - |
| 5-6 | 7 | 221658-001 | 1 | 1 |
| 5-6 | 8 | 231997-001 | 1 | - |
| | | 231998-001 | 1 | 1 |
| | | 231999-001 | 1 | - |
| | | 238750-001 | 1 | 1 |
| 5-6 | 9 | 226195-001 | 1 | - |
| | | 231219-001 | | |
| | | DCI REMOTE LOCATOR SYS (AU) | | |
| | | (INC. REF. 1-5, 7 & 8) | | |
| | | 231222-001 | | |
| | | DCI REM CABLE SONDE SYS (AU) | | |
| | | (INC. REF. 1-3 & 7-9) | | |
| | | 231220-001 | | |
| | | DCI REMOTE LOCATOR SYS (UK) | | |
| | | (INC. REF. 1-5, 7 & 8) | | |
| | | 231223-001 | | |
| | | DCI REM CABLE SONDE SYS (UK) | | |
| | | (INC. REF. 1-3 & 7-9) | | |



DATA LOGGER, MARK III - DIGITRAK

Figure 5-7

Revised November 1996 due to addition of Mark III to manual.

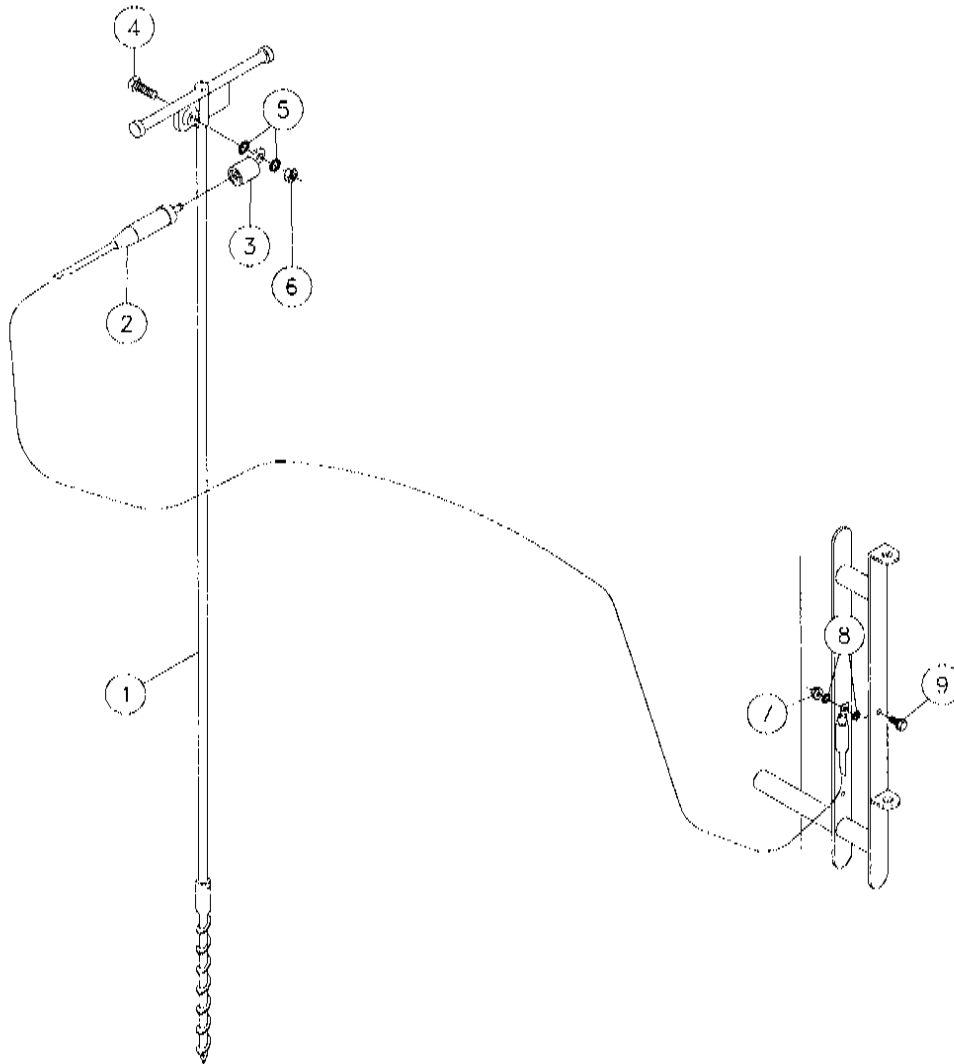


| REF. NO. | PART NO. | DESCRIPTION | QTY. |
|----------|------------|--------------------------|------|
| 5-7 1 | 231224-001 | DATA LOGGER MODULE | 1 |
| 5-7 2 | 231228-001 | DATA-LOG/PC INTERFACE | 1 |
| 5-7 3 | 238751-001 | DATA LOG REAL TIME CABLE | 1 |
| 5-7 4 | 238752-001 | DIGITRAK LOGGER MANUAL | 1 |

GROUND STAKE ASSEMBLY - T-HANDLE

Figure 6-1

Revised November 1996 due to update of
ground cord assy. Changed part marked with *.

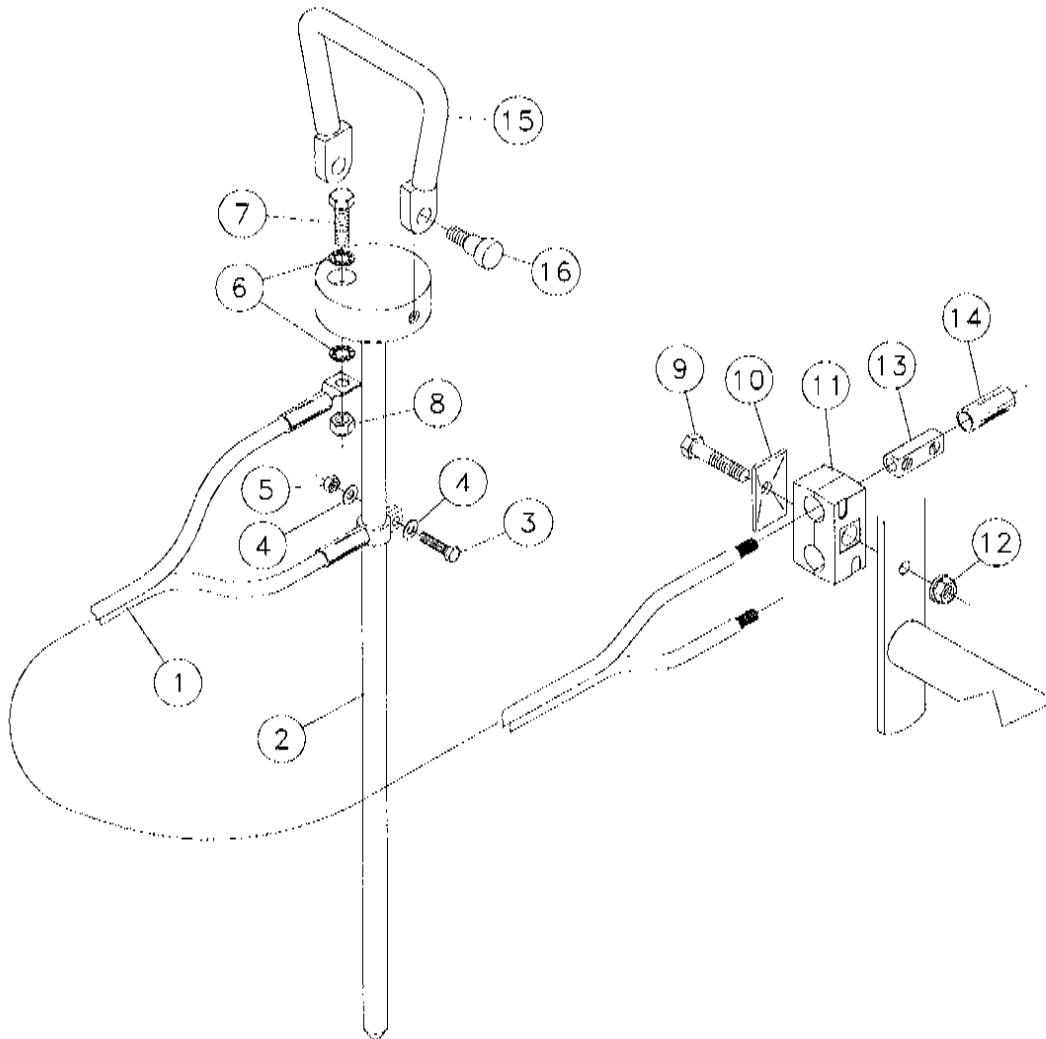


| REF. NO. | PART NO. | DESCRIPTION | QTY. |
|----------|----------|--|------|
| 6-1 | 1 | 904546-001 STAKE-T-HANDLE GROUND | 1 |
| 6-1 | 2 | *229285-001 GROUND CORD ASSY | 1 |
| 6-1 | 3 | 904731-001 TWECO FEMALE TERMINAL | 1 |
| 6-1 | 4 | 57867-012 1/2-13X1 1/4 GR5 HEX BOLT NP | 1 |
| 6-1 | 5 | 482-003 WASHER-1/2 INT STAR | 2 |
| 6-1 | 6 | 423-001 NUT-1/2 NC SLTL UTB | 1 |
| 6-1 | 7 | 4536-001 NUT - 3/8-16 FLG. WHIZ LOCK | 1 |
| 6-1 | 8 | 482-001 WASHER-3/8 INT STAR | 2 |
| 6-1 | 9 | 4475-006 BOLT-3/8-16X3/4 FLG WHIZ | 1 |

VOLTAGE STAKE ASSEMBLY

Figure 6-2

Revised November 1996 due to addition of voltage stake handle. Added parts marked with *.

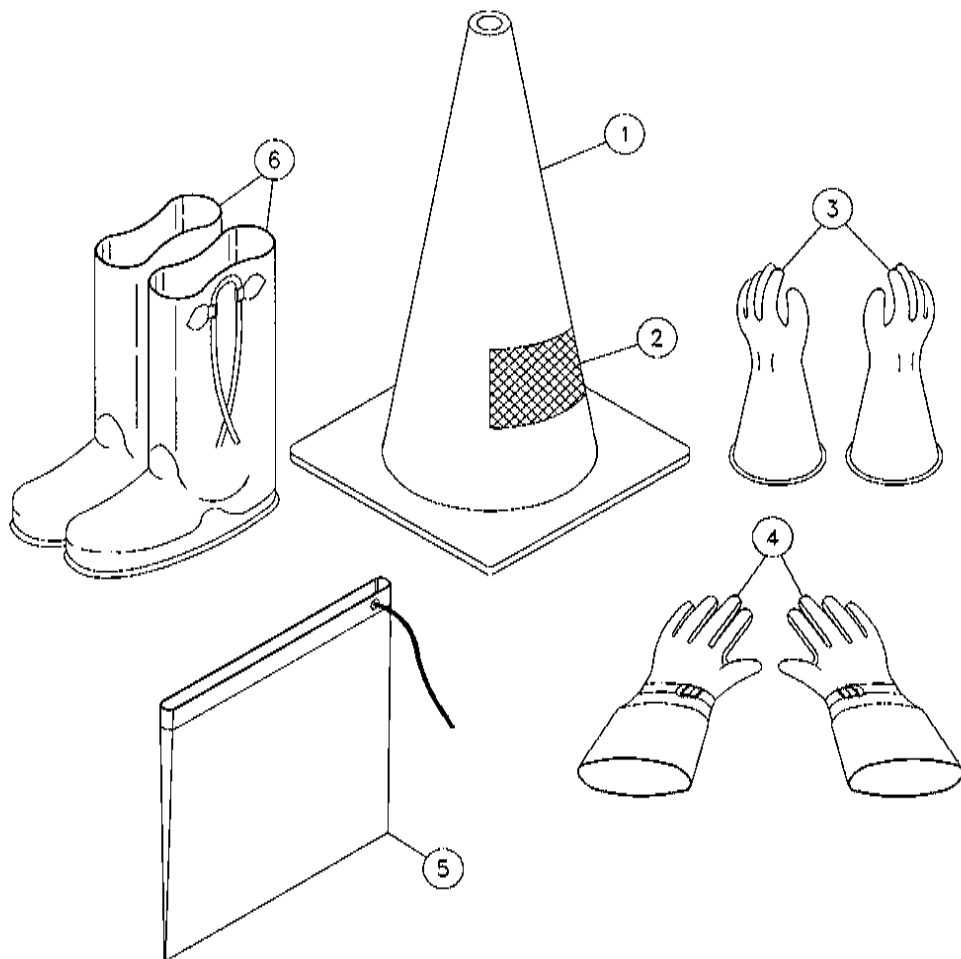


| <u>REF. NO.</u> | <u>PART NO.</u> | <u>DESCRIPTION</u> | <u>QTY.</u> |
|-----------------|-----------------|---|-------------|
| 6-2 | 1 | 217967-001 CORD ASSY - VOLTAGE STAKE | 1 |
| 6-2 | 2 | 904347-001 VOLTAGE STAKE | 1 |
| 6-2 | 3 | 350-010 1/4-20 X 1" GRADE #5 HEX BOLT | 1 |
| 6-2 | 4 | 485-003 WASHER-1/4 FLAT | 2 |
| 6-2 | 5 | 401-001 NUT-1/4 NC HEX | 1 |
| 6-2 | 6 | 482-001 WASHER-3/8 INT STAR | 2 |
| 6-2 | 7 | 354-012 BOLT-3/8 - 16X 1 1/4" GR5 HEX | 1 |
| 6-2 | 8 | 412-001 NUT-3/8 NC HEX | 1 |
| 6-2 | 9 | 351-016 BOLT-5/16-18X1 3/4" GRADE#5 HEX | 1 |
| 6-2 | 10 | 67846-003 PLATE-TWIN COVER | 1 |
| 6-2 | 11 | 900035-005 CLAMP-3/8" DOUBLE HOSE | 1 |
| 6-2 | 12 | 408-001 NUT-5/16 NC FLG WHIZ LOCK | 1 |
| 6-2 | 13 | 904355-001 CONNECTOR | 2 |
| 6-2 | 14 | 208065-001 SHRINK TUBE-3/4ID COMMERCIAL GRD (SPECIFY LENGTH) | 2 |
| 6-2 | 15 | *234164-001 HANDLE-VOLTAGE STAKE | 1 |
| 6-2 | 16 | *98035-001 BOLT-1/2"X1/2" SOCKET SHUTDOWN | 2 |

SAFETY FEATURES - GLOVES, BOOTS, CONES

Figure 6-3

Revised November 1996 due to decal update. Added part marked with *.

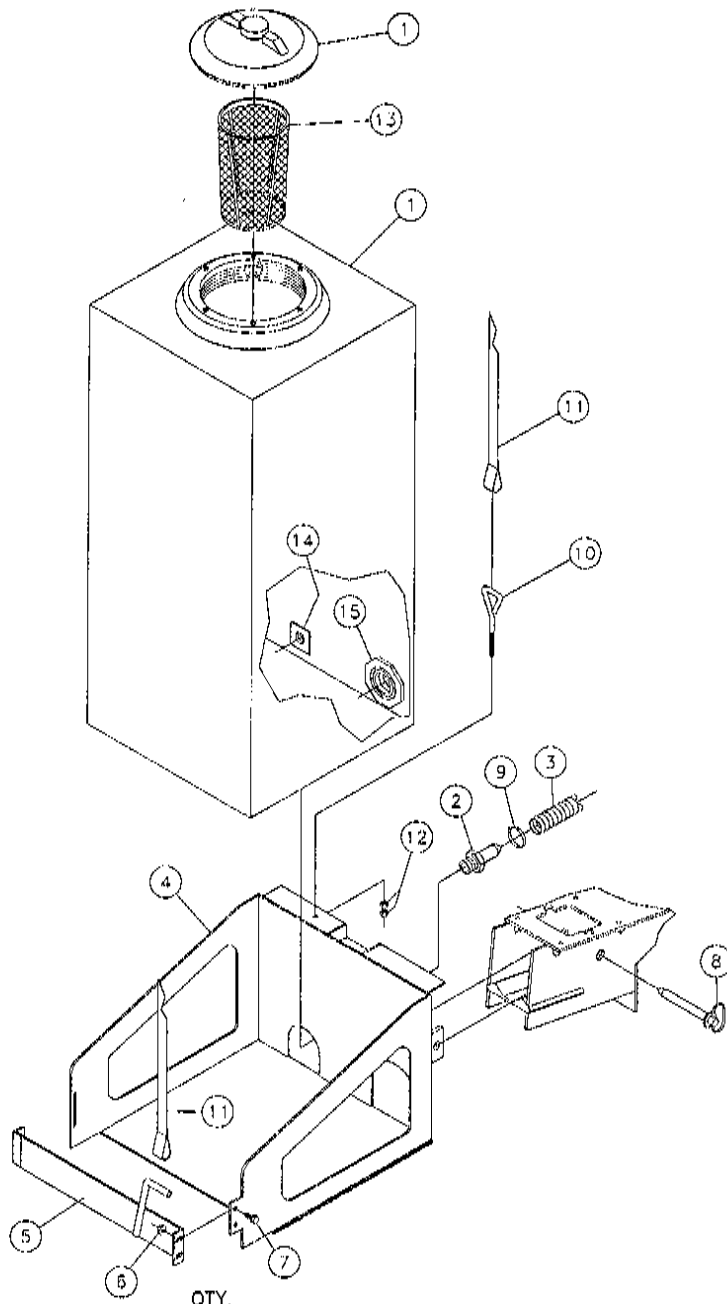


| REF. NO. | PART NO. | DESCRIPTION | QTY. | REF. NO. | PART NO. | DESCRIPTION | QTY. |
|----------|----------|---|--------|----------|------------|---|--------|
| 6-3 | 1 | 904541-001 CONES-ORANGE PVC | 4 | | | GLOVES & 1 GLOVE BAG REF. 5) | 1 |
| 6-3 | 2 | *70000-530 DECAL-DANGER | 4 | | 210785-001 | GLOVE KIT-SIZE 10 (INC. 1 PAIR OF RUBBER GLOVES, 1 PAIR OF LEATHER GLOVES & 1 GLOVE BAG REF. 5) | 1 |
| | | *70001-530 DECAL-WARNING (INTERNATIONAL) | 4 | | 224990-001 | GLOVE KIT-SIZE 11 (INC. 1 PAIR OF RUBBER GLOVES, 1 PAIR OF LEATHER GLOVES & 1 GLOVE BAG REF. 5) | 1 |
| 6-3 | 3 | 210782-001 GLOVES-SIZE 9 RUBBER INSULATE | 1 pair | | 224991-001 | GLOVE KIT-SIZE 12 (INC. 1 PAIR OF RUBBER GLOVES, 1 PAIR OF LEATHER GLOVES & 1 GLOVE BAG REF. 5) | 1 |
| | | 210782-005 GLOVES-SIZE 9 1/2 RUBBER INSUL | 1 pair | | | | |
| | | 210782-003 GLOVES-SIZE 10 RUBBER INSULATE | 1 pair | | | | |
| | | 210782-007 GLOVE-SIZE 11 RUBBER INSULATED | 1 pair | | | | |
| | | 210782-009 GLOVE-SIZE 12 RUBBER INSULATED | 1 pair | | | | |
| 6-3 | 4 | 210783-001 GLOVES-SIZE 9 LEATHER PROTECT | 1 pair | 6-3 | 5 | 210784-001 BAG-GLOVE | 1 |
| | | 210783-005 GLOVES SIZE 9 1/2 LEATHER PROT | 1 pair | 6-3 | 6 | 210780-009 BOOTS-SIZE 9 OVER-THE-SHOE | 1 pair |
| | | 210783-003 GLOVES-SIZE 10 LEATHER PROTECT | 1 pair | | | 210780-001 BOOTS-SIZE 10 OVER-THE-SHOE | 1 pair |
| | | 210783-007 GLOVE-SIZE 11 LEATHER PROTECT | 1 pair | | | 210780-003 BOOTS-SIZE 11 OVER-THE-SHOE | 1 pair |
| | | 210783-009 GLOVE-SIZE 12 LEATHER PROTECT | 1 pair | | | 210780-005 BOOTS-SIZE 12 OVER-THE-SHOE | 1 pair |
| | | 210781-001 GLOVE KIT-SIZE 9 (INC. 1 PAIR OF RUBBER GLOVES, 1 PAIR OF LEATHER GLOVES & 1 GLOVE BAG REF. 5) | 1 | | | 210780-007 BOOTS-SIZE 13 OVER-THE-SHOE | 1 pair |
| | | 224979-001 GLOVE KIT-SIZE 9 1/2 (INC. 1 PAIR OF RUBBER GLOVES, 1 PAIR OF LEATHER | | | | 210780-011 BOOTS-SIZE 14 OVER-THE-SHOE | 1 pair |
| | | | | | | 210780-013 BOOTS-SIZE 15 OVER-THE-SHOE | 1 pair |

WATER TANK ASSEMBLY

Figure 7-1

Revised April 1997 due to updates of tank and tank mounting. Changed/added parts marked with *.

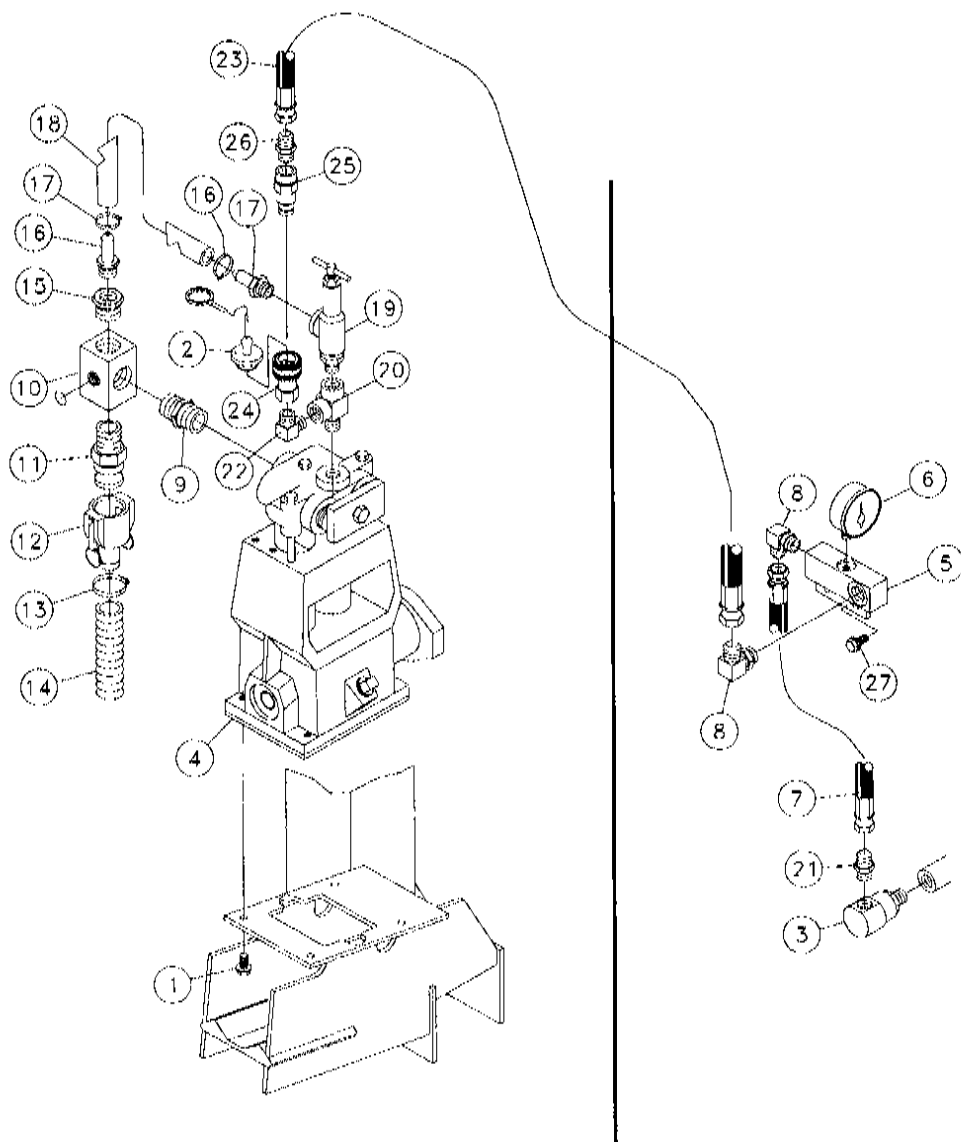


| REF. NO. | PART NO. | DESCRIPTION | QTY. |
|----------|----------|--|------|
| 7-1 | 1 | *236315-001 TANK-WATER 55 GAL. (INC. REF. 13-15) | 1 |
| | | *236315-003 LID-5" SPIN-ON | 1 |
| 7-1 | 2 | 219105-001 HOSE INSERT-1 X 1NPT (NYLON) | 1 |
| 7-1 | 3 | 905429-003 HOSE-1X16 PVC SUCTION | 1 |
| 7-1 | 4 | 219339-001 MOUNT-BARREL | 1 |
| 7-1 | 5 | *236253-001 SUPPORT-TANK | 1 |
| 7-1 | 6 | 4475-006 BOLT-3/8-16X3/4 FLG WHIZ | 2 |
| 7-1 | 7 | 4536-001 NUT - 3/8-16 FLG. WHIZ LOCK | 2 |
| 7-1 | 8 | 2107-007 PIN-HITCH 3/4 X 6 | 1 |
| 7-1 | 9 | 1580-007 HOSE CLAMP - 1 1/2" | 1 |
| 7-1 | 10 | 903862-001 BOLT-WATER TANK HOLD DOWN | 1 |
| 7-1 | 11 | 903837-001 STRAP-2 X 73.5 TANK | 1 |
| 7-1 | 12 | 412-001 NUT-3/8 NC HEX | 2 |
| 7-1 | 13 | 225854-001 SCREEN-80 MESH | 1 |
| 7-1 | 14 | *219110-005 BULKHEAD-1" | 1 |
| 7-1 | 15 | *215433-001 BULKHEAD-1 1/2" | 1 |

Revised April 1997 due to change of pressure gauge. Changed part marked with *.

WATER PUMP ASSEMBLY

Figure 7-2

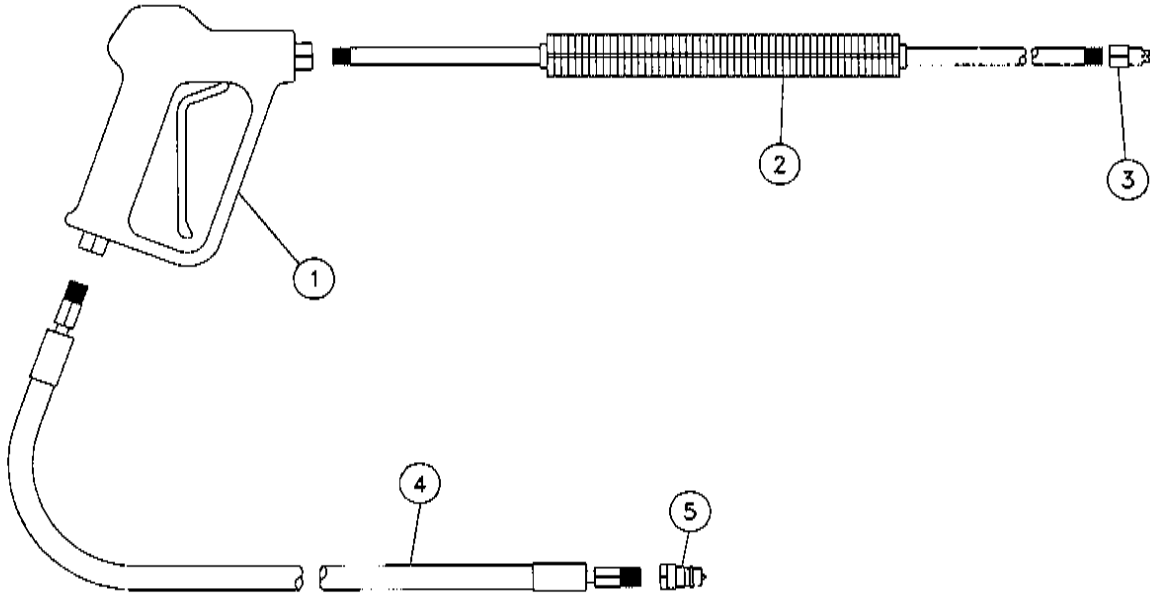


| REF. NO. | PART NO. | DESCRIPTION | QTY. | REF. NO. | PART NO. | DESCRIPTION | QTY. |
|----------|----------|--|------|----------|----------|---|------|
| 7-2 | 1 | 4475-010 BOLT-3/8-16X1 FLANGE WHIZ | 6 | 7-2 | 15 | 219115-001 BUSHING-1 X 1/2 REDUCER (POLY) | 1 |
| 7-2 | 2 | 234679-001 CAP-DUST | 1 | 7-2 | 16 | 66320-001 1/2MPTX1/2HB PLASTIC HOSE BARB | 2 |
| 7-2 | 3 | 234744-001 FITTING-8M X 8F 90 DEG. SWIVEL | 1 | 7-2 | 17 | 1580-003 HOSE CLAMP - 3/4" | 2 |
| | | 234744-003 REPAIR KIT-SWIVEL | | 7-2 | 18 | 67355-055 HOSE 1/2" ID VINYL REINF.-8.00 | 1 |
| 7-2 | 4 | 234680-001 PUMP (BREAKDOWN FIG. 7-6, 7-7) | 1 | 7-2 | 19 | 236295-001 VALVE-RELIEF (300-700 PSI) (BREAKDOWN FIG. 7-5) | 1 |
| 7-2 | 5 | 229386-001 MOUNT-GAUGE | 1 | 7-2 | 20 | 94112-001 FITTING-1/2BCH X1/2MX1/2F TEE | 1 |
| 7-2 | 6 | *228166-001 GAUGE-PRESSURE 0-2000 PSI | 1 | 7-2 | 21 | 53824-001 FITTING-#8M O-RING-#8M JIC ST. | 1 |
| 7-2 | 7 | 53844-381 HOSE-1/2"X 8 1/2" 8FS JIC ST/ST (2000) | 1 | 7-2 | 22 | 130449-001 FITTING - 1/2MX1/2M NPT ELBOW | 1 |
| 7-2 | 8 | 53837-001 FITTING-8M X 8M JIC 90 DEG ELBOW | 2 | 7-2 | 23 | 53844-169 HOSE-1/2X132 8FS JIC 3000 PSI | 1 |
| 7-2 | 9 | 82482-001 FITTING-1"M NPT X 1" M NPT NIPPLE | 1 | 7-2 | 24 | 227235-001 COUPLER-1/2"NPT QUICK(FEMALE) | 1 |
| 7-2 | 10 | 231102-001 BLOCK-MANIFOLD WATER PUMP | 1 | 7-2 | 25 | 227236-001 COUPLER-1/2" NPT QUICK(MALE) | 1 |
| 7-2 | 11 | 905432-001 FITTING-1"MALE THRD. CAM LOCK | 1 | 7-2 | 26 | 60922-001 1/2MX8M JIC ST.ADAPTER | 1 |
| 7-2 | 12 | 905431-001 FITTING-1"FEMALE CAM LOCK | 1 | 7-2 | 27 | 4475-006 BOLT-3/8"-16X3/4" FLG WHIZ | 2 |
| 7-2 | 13 | 1580-007 HOSE CLAMP - 1 1/2" | 1 | | | | |
| 7-2 | 14 | 905429-003 HOSE-1X16 PVC SUCTION | 1 | | | | |

WAND ASSEMBLY

Figure 7-3

Revised April 1996 due to parts list update. Changed part marked with .

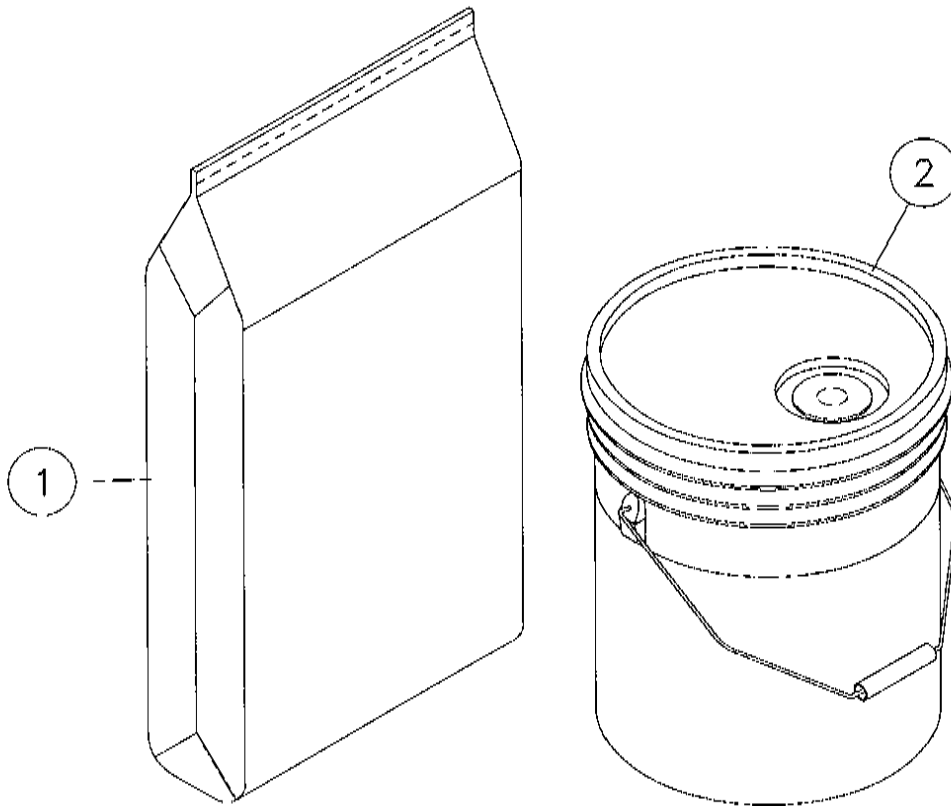


| REF. NO. | PART NO. | DESCRIPTION | QTY. |
|----------|------------|---|------|
| 7-3 | 1 | 904578-001 GUN HANDLE | 1 |
| 7-3 | 2 | 904577-001 MOLDED LANCE | 1 |
| 7-3 | 3 | 904576-001 SPRAY NOZZLE | 1 |
| 7-3 | 4 | 57940-667 HOSE-3/8X192 3/8MS/1/2NPT3500 | 1 |
| 7-3 | 5 | 227236-001 COUPLER-1/2"MALE QUICK | 1 |
| | 904829-001 | WAND ASSEMBLY (INC. REF. 1-5) | |

DRILL FLUID

Figure 7-4

Revised November 1996 due to addition of bore gel & EZ-mud to parts list. Added parts marked with *.

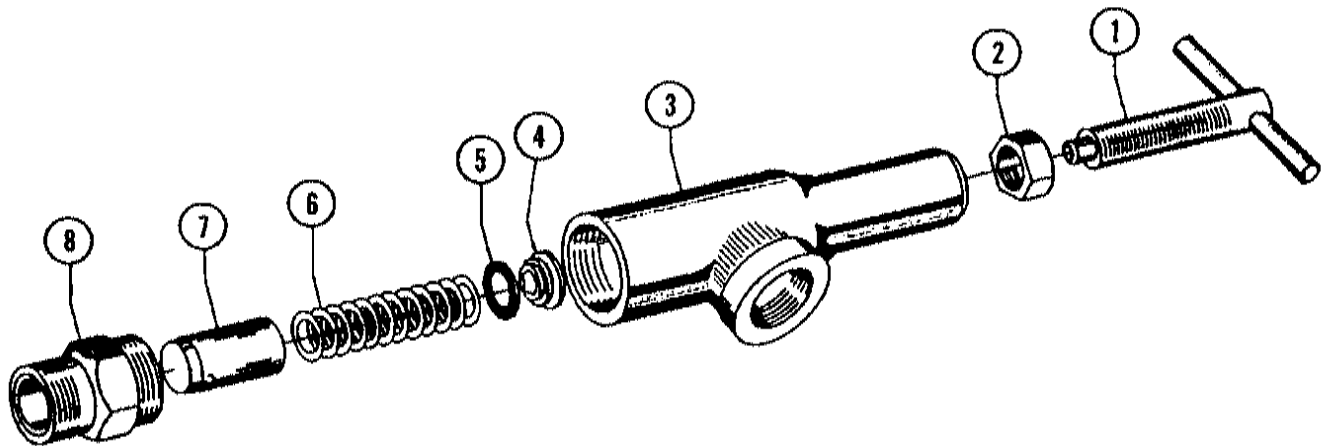


| REF. NO. | PART NO. | DESCRIPTION | QTY. |
|----------|----------|---|------|
| 7-4 | 1 | 904882-001 50LBS BAG QUICK GELL BENTONITE | 1 |
| | | *123596-001 BORE-GEL (50 LB BAG) | 1 |
| 7-4 | 2 | 905216-001 POLYMER | 1 |
| | | *123595-001 EZ-MUD - 5 GALLON | 1 |

RELIEF VALVE COMPONENTS

Figure 7-5

Revised November 1996 due to change to
300-700 PSI relief valve.

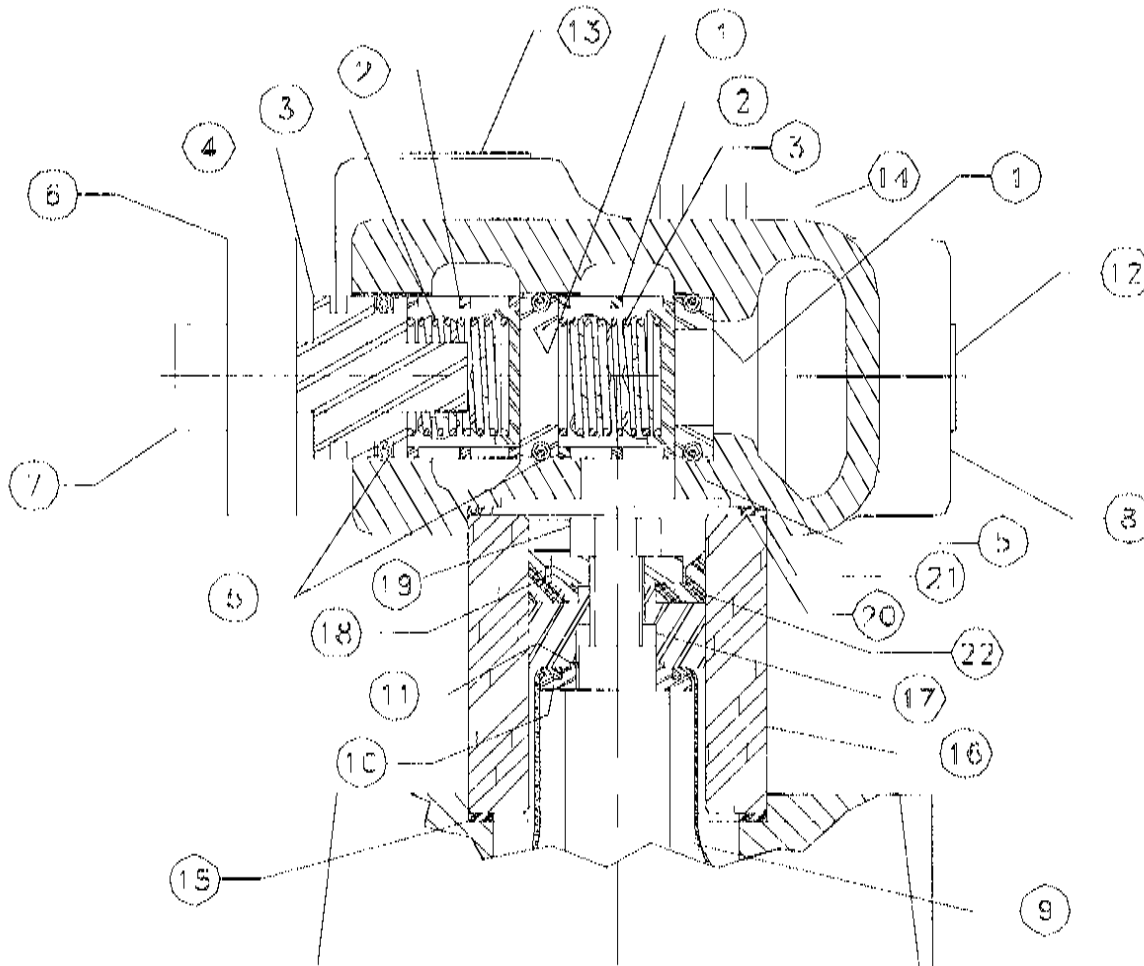


| REF. NO. | PART NO. | DESCRIPTION | QTY. |
|----------|------------|---|------|
| 7-5 | 1 | 219124-003 ADJUSTING SCREW ASSY-BRASS | 1 |
| 7-5 | 2 | 219124-005 LOCKNUT-BRASS | 1 |
| 7-5 | 3 | 219124-007 BODY-BRASS | 1 |
| 7-5 | 4 | 219124-009 SPRING RETAINER-BRASS | 1 |
| 7-5 | 5 | 219124-011 GASKET-BUNA-N | 1 |
| 7-5 | 6 | 219124-013 SPRING | 1 |
| 7-5 | 7 | 236295-003 GUIDE SEAT | 1 |
| 7-5 | 8 | 236295-005 INLET ADAPTER | 1 |
| | 236295-001 | VALVE-RELIEF (300 TO 700 PSI) (COMPLETE) (INC. REF. 1-8) | |
| | 236295-007 | KIT-SPARE PARTS (INC. REF. 4, 5, 6 & 7) | |

WATER PUMP COMPONENTS (FLUID END)

Figure 7-7

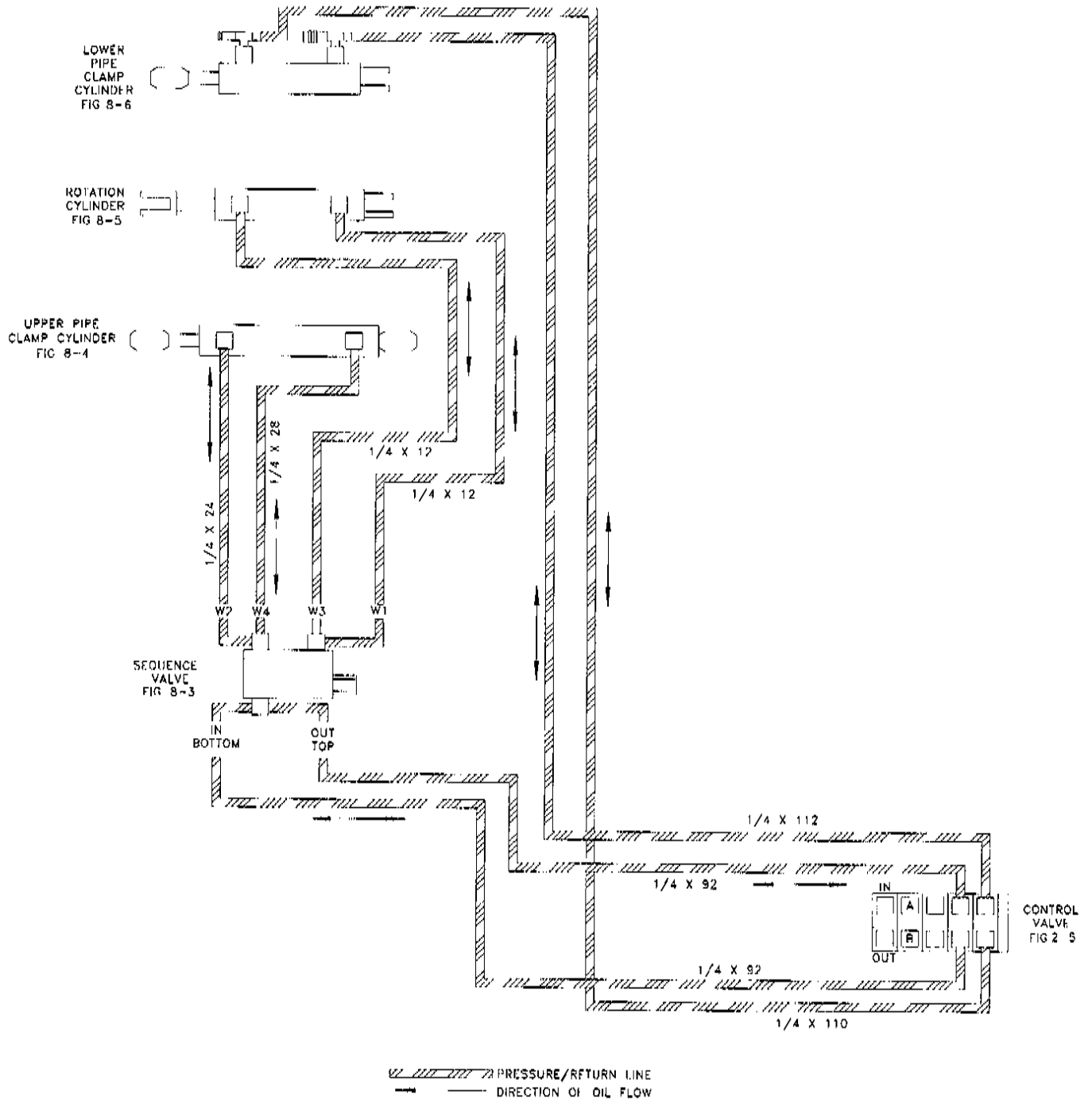
Revised September 1997 due to addition of repair kits. Added parts marked with *.



| REF. NO. | PART NO. | DESCRIPTION | QTY. | REF. NO. | PART NO. | DESCRIPTION | QTY. |
|----------|----------|---|------|----------|-------------|---|------|
| 7-7 | 1 | 218416-013 SEAT-VALVE | 4 | 7-7 | 16 | 224667-003 CYLINDER 1 5/8 | 2 |
| 7-7 | 2 | 218416-025 VALVE CAGE | 4 | 7-7 | 17 | 224667-005 PACKING HOLDER 1 5/8 | 2 |
| 7-7 | 3 | 229367-027 DISC AND SPRING ASSEMBLY | 4 | 7-7 | 18 | 229367-039 PACKING WASHER | 2 |
| 7-7 | 4 | 218416-011 VALVE COVER | 2 | 7-7 | 19 | 229367-041 CAPSCREW-HEX HD 5/16-18X1 1/2 | 2 |
| 7-7 | 5 | 229367-029 O-RING 1.1875 OD X .125 | 6 | 7-7 | 20 | 218416-035 SEAL RING 38-5 | 2 |
| 7-7 | 6 | 218416-007 CLAMP | 1 | 7-7 | 21 | 218416-033 O-RING-2 1/8"OD X 1/16 | 2 |
| 7-7 | 7 | 218416-009 CAPSCREW-HEX HD 1/2-13 X 1 1/2 | 1 | 7-7 | 22 | 224667-007 PACKING 1 5/8 HSN | 2 |
| 7-7 | 8 | 229367-031 FLUID CYLINDER | 1 | | | | |
| 7-7 | 9 | 218416-049 UMBRELLA | 2 | | 234680-001 | PUMP-9 GPM WATER (COMPLETE) (INC. ALL OF FIG. 7-6 & 7-7) | |
| 7-7 | 10 | 218416-047 WASHER-UMBRELLA | 2 | | *234680-019 | VALVE KIT (INC. TWO OF REF. 1-3 & THREE OF REF. 5) | |
| 7-7 | 11 | 218416-043 O-RING-11/16 OD X9/16ID-1/16 | 2 | | *234680-021 | PACKING KIT (INC. TWO EACH OF REF. 11, 15, 19 & 20-22) | |
| 7-7 | 12 | 229367-033 CAPPLUG INT12 | 1 | | | | |
| 7-7 | 13 | 229367-035 CAPPLUG INT | 1 | | | | |
| 7-7 | 14 | 229367-037 CAPSCREW-HEX HD 3/8-16X5 | 3 | | | | |
| 7-7 | 15 | 218416-045 GASKET-CYLINDER | 2 | | | | |

HYDRAULIC COMPONENT LOCATION DIAGRAM (PIPE CLAMP)

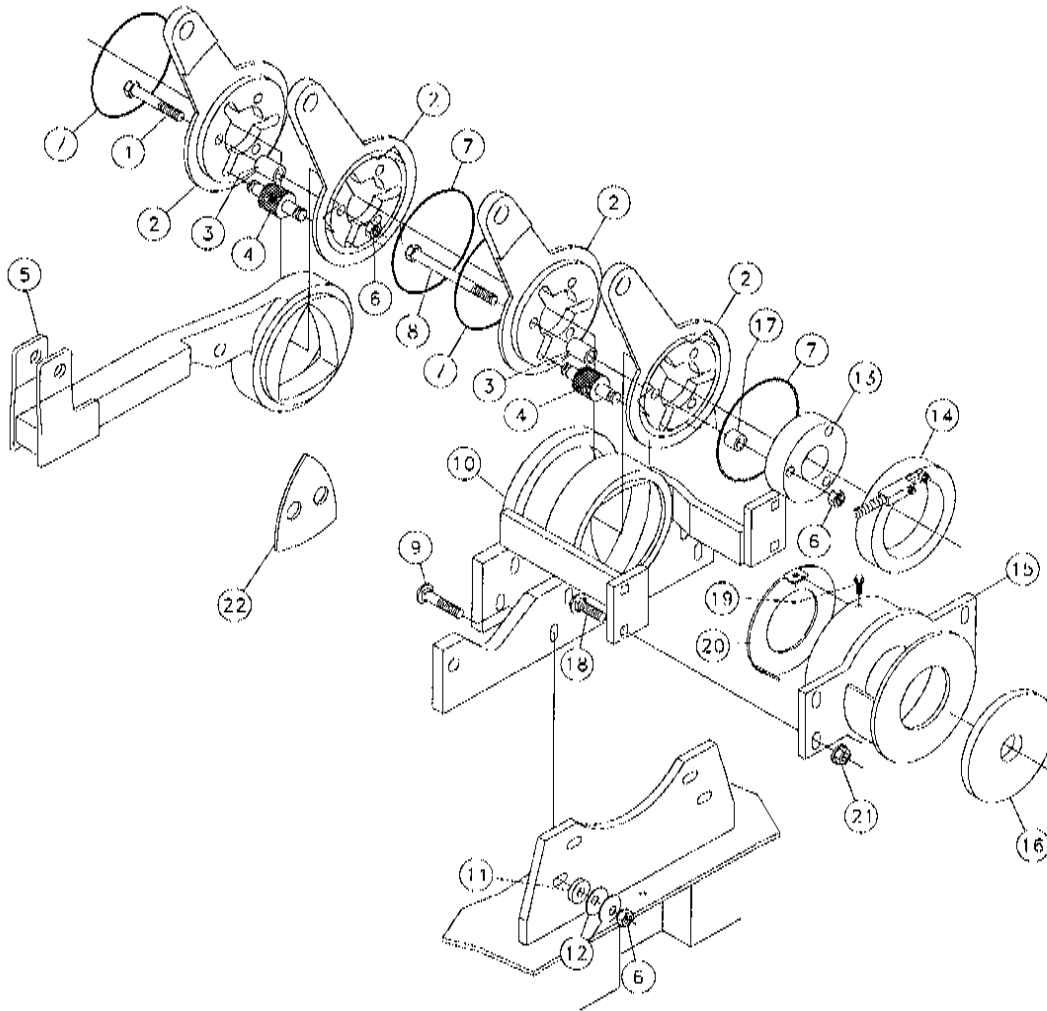
Figure 8-1



CLAMP ASSEMBLY

Figure 8-2

Revised April 1997 due to addition of vise plug gauge.
plug gauge. Added part marked with *.

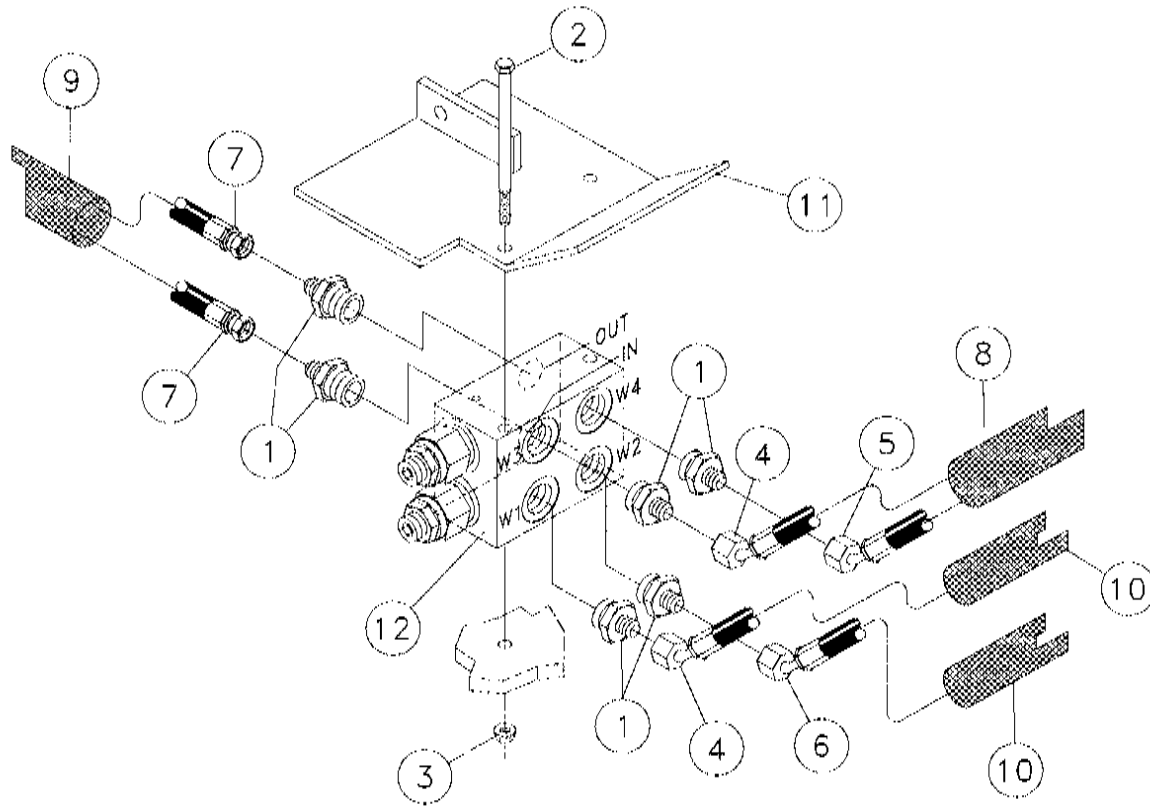


| REF. NO. | PART NO. | DESCRIPTION | QTY. | REF. NO. | PART NO. | DESCRIPTION | QTY. |
|----------|----------|--|------|----------|----------|---------------------------------------|------|
| 8-2 | 1 | 358-032 BOLT-1/2-13X3 1/4 GRADE #5 HEX | 3 | 8-2 | 12 | 63471-001 WASHER-SPRING 1/2"IDX.070 | 16 |
| 8-2 | 2 | 222252-001 GUIDE-CENTER | 4 | 8-2 | 13 | 215701-001 RING-GUIDE | 1 |
| | | 222281-001 SPACER | 4 | 8-2 | 14 | 229392-001 COIL-CURRENT | 1 |
| 8-2 | 3 | 222281-001 SPACER | 6 | 8-2 | 15 | 229343-001 MOUNT-STRIKE ALERT | 1 |
| 8-2 | 4 | 215583-001 ROLLER-CLAMP (1 1/2) | 6 | 8-2 | 16 | 220808-001 ROD WIPER | 1 |
| 8-2 | 5 | 216485-001 ARM-POWER VISE CAM | 1 | 8-2 | 17 | 213670-003 TUBE-3/4 OD X .51 ID - .70 | 3 |
| 8-2 | 6 | 423-001 NUT-1/2 NC SLTL UTB | 10 | 8-2 | 18 | 377-014 BOLT-1/2-13X1 1/2 CARRIAGE | 4 |
| 8-2 | 7 | 905500-001 O-RING | 4 | 8-2 | 19 | 4474-006 BOLT-5/16"-18X3/4" FLG WHIZ | 3 |
| 8-2 | 8 | 358-054 1/2-13X5 1/2"GRADE#5 HEX BOLT | 3 | 8-2 | 20 | 229348-001 COVER-STRIKE ALERT | 1 |
| 8-2 | 9 | 377-022 BOLT-1/2-13X2 1/4 CARRIAGE GR5 | 8 | 8-2 | 21 | 1809-001 NUT-1/2"-13 FLG WHIZ LOCK | 4 |
| 8-2 | 10 | 222358-001 FRAME-CLAMP | 1 | 8-2 | 22 | *236310-001 GAUGE-VISE PLUG | 1 |
| 8-2 | 11 | 11829-001 SLUG | 8 | | | | |

SEQUENCE VALVE ASSEMBLY

Figure 8-3

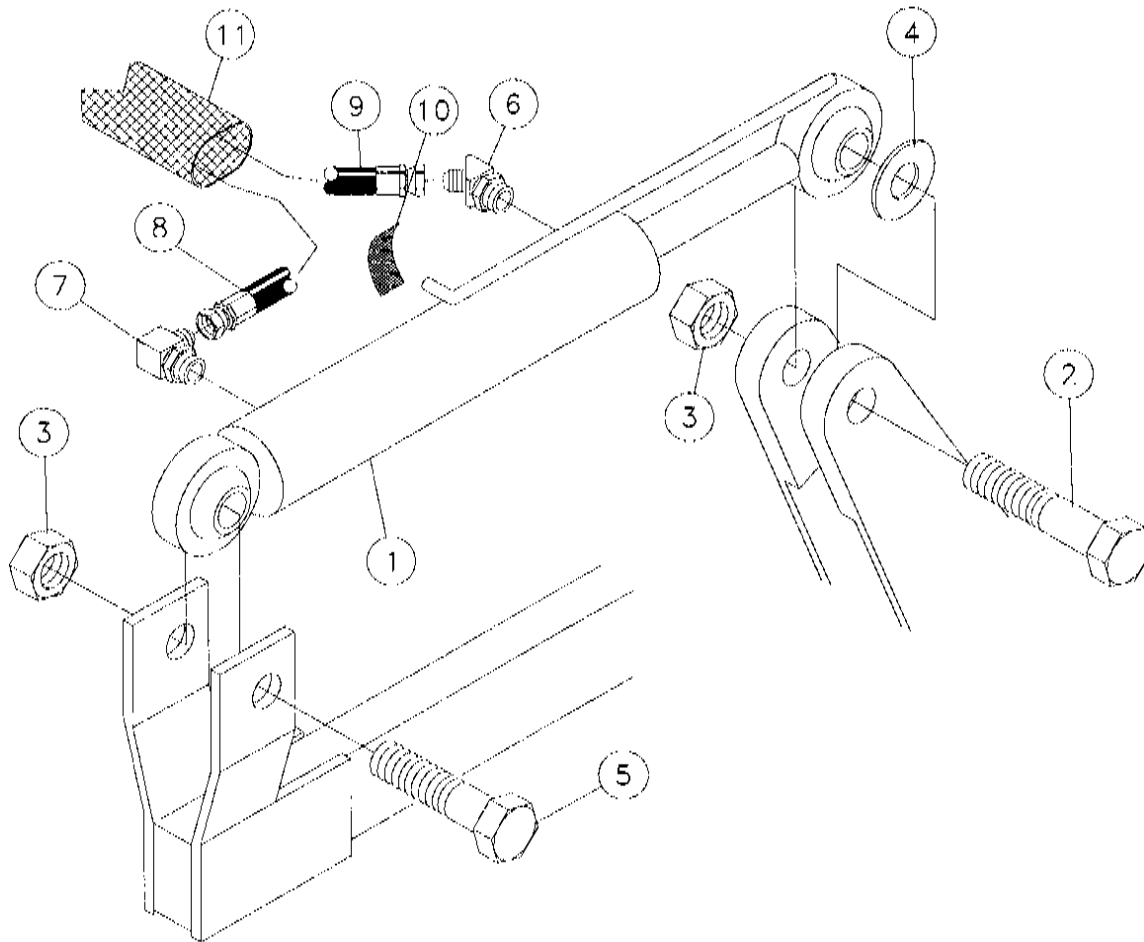
Revised November 1996 due to change to new sequence valve. Changed parts marked with *.



| REF. NO. | PART NO. | DESCRIPTION | QTY. |
|----------|----------|---|------|
| 8-3 | 1 | 53657-001 FITTING-8M OR X 4M JIC ST. | 6 |
| 8-3 | 2 | *350-040 1/4-20X4 * GRADE#5 HEX BOLT | 2 |
| 8-3 | 3 | 405-001 NUT-1/4-20 FLG WHIZ | 2 |
| 8-3 | 4 | 53843-647 HOSE-1/4X12 4FS JIC 4FS JIC 45 | 2 |
| 8-3 | 5 | 53843-595 HOSE-1/4X28 4FS JIC 3000PSI | 1 |
| 8-3 | 6 | 53843-597 HOSE-1/4X24 4FS JIC 3000 PSI | 1 |
| 8-3 | 7 | 53843-589 HOSE-1/4X92 4FS JIC 3000PSI | 1 |
| 8-3 | 8 | 86094-001 CORDURA SLEEVE 1.22ID (SPECIFY LENGTH) | 1 |
| 8-3 | 9 | 66094-001 CORDURA SLEEVE 1.22ID (SPECIFY LENGTH) | 1 |
| 8-3 | 10 | 83726-001 CORDURA SLEEVE-.71ID. (SPECIFY LENGTH) | 2 |
| 8-3 | 11 | 219403-001 GUARD-HOSE | 1 |
| 8-3 | 12 | *234891-001 VALVE-SEQUENCE (BREAKDOWN FIG. 8-7) | 1 |

UPPER PIPE CLAMP CYLINDER ASSEMBLY

Figure 8-4

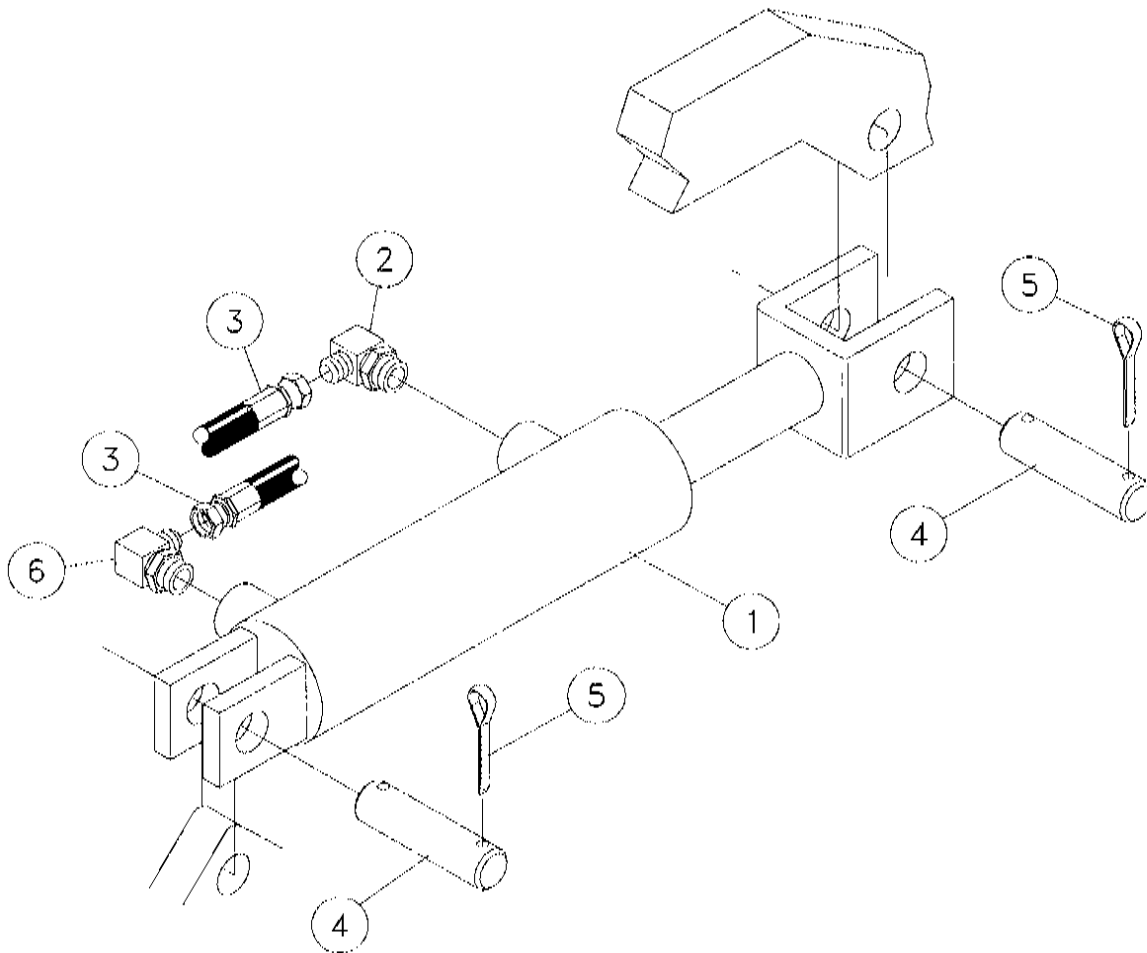


| REF. NO. | PART NO. | DESCRIPTION | QTY. |
|----------|----------|---|------|
| 8-4 | 1 | 905513-001 CYLINDER-1 1/2 X 6 1/2 (BREAKDOWN FIG. 8-8) | 1 |
| 8-4 | 2 | 369-034 BOLT-3/4-10X3 1/2" GR5 HEX | 1 |
| 8-4 | 3 | 434-001 NUT-3/4 NC SLTL | 2 |
| 8-4 | 4 | 483-001 WASHER-1 1/4"ODX3/4"ID-10GA MB | 1 |
| 8-4 | 5 | 369-030 BOLT-3/4-10X3" GRADE#5 HEX | 1 |
| 8-4 | 6 | 82931-001 FITTING-6MX4M JIC 45DEG.ELBOW | 1 |
| 8-4 | 7 | 57950-001 FITTING-6M X 4 JIC 90 DEG. | 1 |
| 8-4 | 8 | 53843-595 HOSE-1/4X28 4FS JIC 3000PSI | 1 |
| 8-4 | 9 | 53843-597 HOSE-1/4X24 4FS JIC 3000 PSI | 1 |
| 8-4 | 10 | 2326-142 DECAL-INDICATOR | 1 |
| 8-4 | 11 | 66094-001 CORDURA SLEEVE 1.22ID (SPECIFY LENGTH) | 1 |

ROTATION CYLINDER ASSEMBLY

Figure 8-5

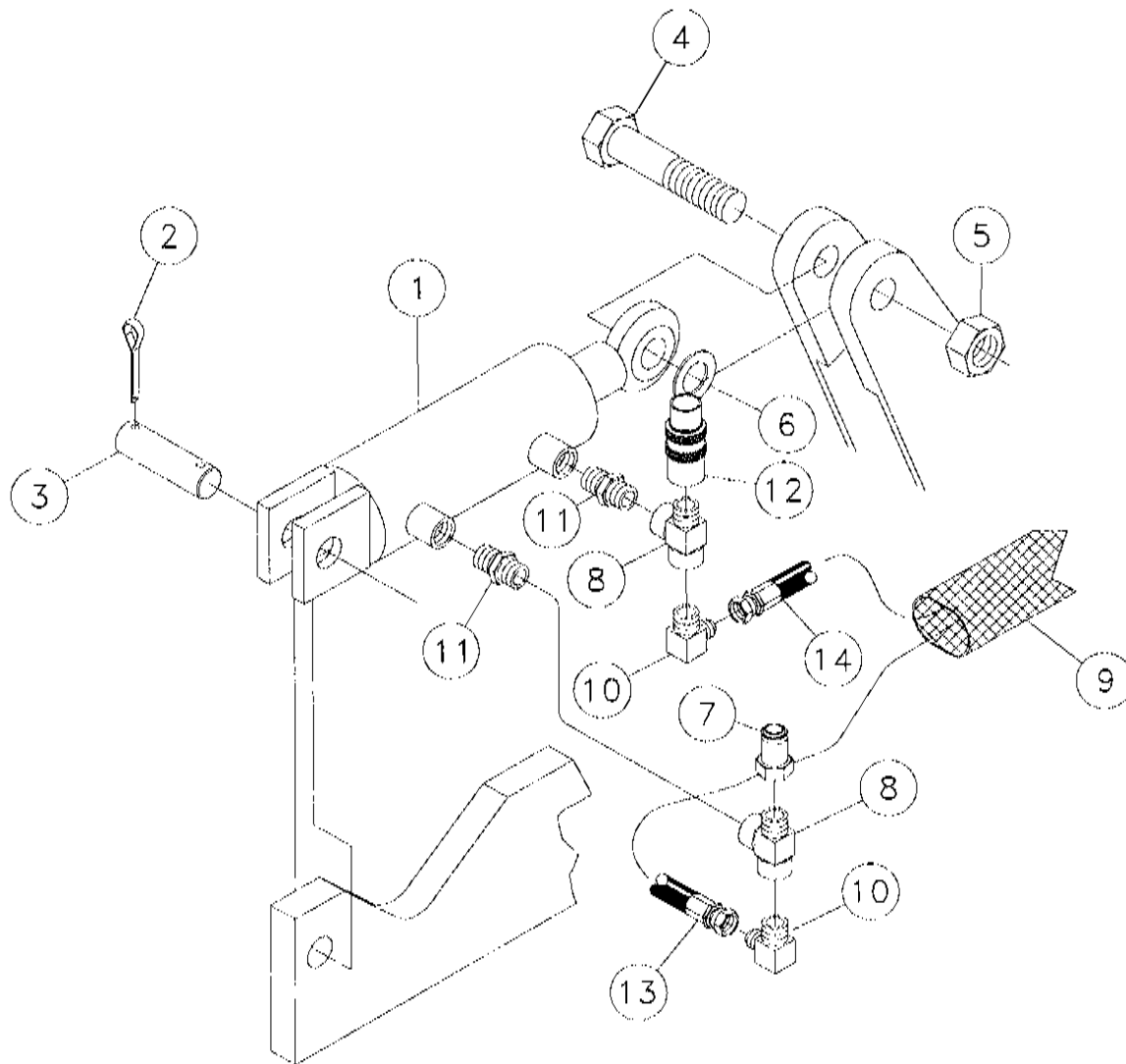
Revised November 1996 due to addition of restrictor fitting & parts list update. Changed/added parts marked with *.



| REF. NO. | PART NO. | DESCRIPTION | QTY. |
|----------|----------|--|------|
| 8-5 | 1 | 219107-001 CYL-2 X 5 (BREAKDOWN FIG. 8-9) | 1 |
| 8-5 | 2 | *57950-001 6M O-RING 4M JIC 90 DEG ELBOW | 1 |
| 8-5 | 3 | 53843-647 HOSE-1/4X12 4FS JIC 4FS JIC 45 | 2 |
| 8-5 | 4 | 902445-001 PIN-CYLINDER | 2 |
| 8-5 | 5 | 510-021 COTTER PIN-3/16" X 1" | 4 |
| 8-5 | 6 | *70054-001 FITTING-6M X 4M JIC 90 DEG EL (R.060) | 1 |

LOWER PIPE CLAMP CYLINDER ASSEMBLY

Figure 8-6

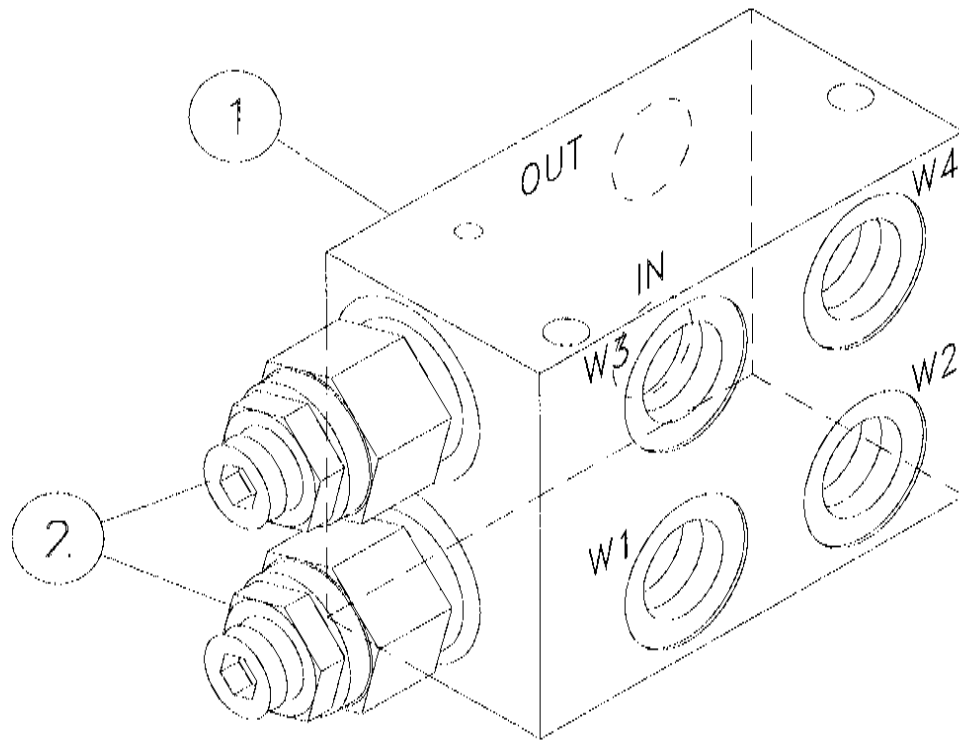


| REF. NO. | PART NO. | DESCRIPTION | QTY. |
|----------|----------|--|------|
| 8-6 | 1 | 901750-001 CYLINDER-2X2 1/2 HYD (BREAKDOWN FIG. 8-10) | 1 |
| 8-6 | 2 | 510-021 COTTER PIN-3/16" X 1" | 2 |
| 8-6 | 3 | 902445-001 PIN-CYLINDER | 1 |
| 8-6 | 4 | 369-034 BOLT-3/4-10X3 1/2" GR5 HEX | 1 |
| 8-6 | 5 | 434-001 NUT-3/4 NC SLTL | 1 |
| 8-6 | 6 | 483-001 WASHER-1 1/4"ODX3/4"ID-10GA MB | 1 |
| 8-6 | 7 | 221503-001 COUPLER-3/8 NPT QUICK (MALE) | 1 |
| 8-6 | 8 | 119170-001 FITTING-TEE 3/8M X 3/8F X 3/8F | 2 |
| 8-6 | 9 | 66094-001 CORDURA SLEEVE 1.22ID (SPECIFY LENGTH) | 1 |
| 8-6 | 10 | 60722-001 3/8MX4M JIC 90 DEG.ELBOW | 2 |
| 8-6 | 11 | 904693-001 FITTING-6M X 3/8MNPT ADAPT | 2 |
| 8-6 | 12 | 221504-001 COUPLER-3/8 NPT QUICK (FEMALE) | 1 |
| 8-6 | 13 | 53843-573 HOSE-1/4 X 112 4FS IC 3000 PSI | 1 |
| 8-6 | 14 | 53843-363 HOSE-1/4X110 4FS JIC SAE-100R1 | 1 |

SEQUENCE VALVE COMPONENTS

Figure 8-7

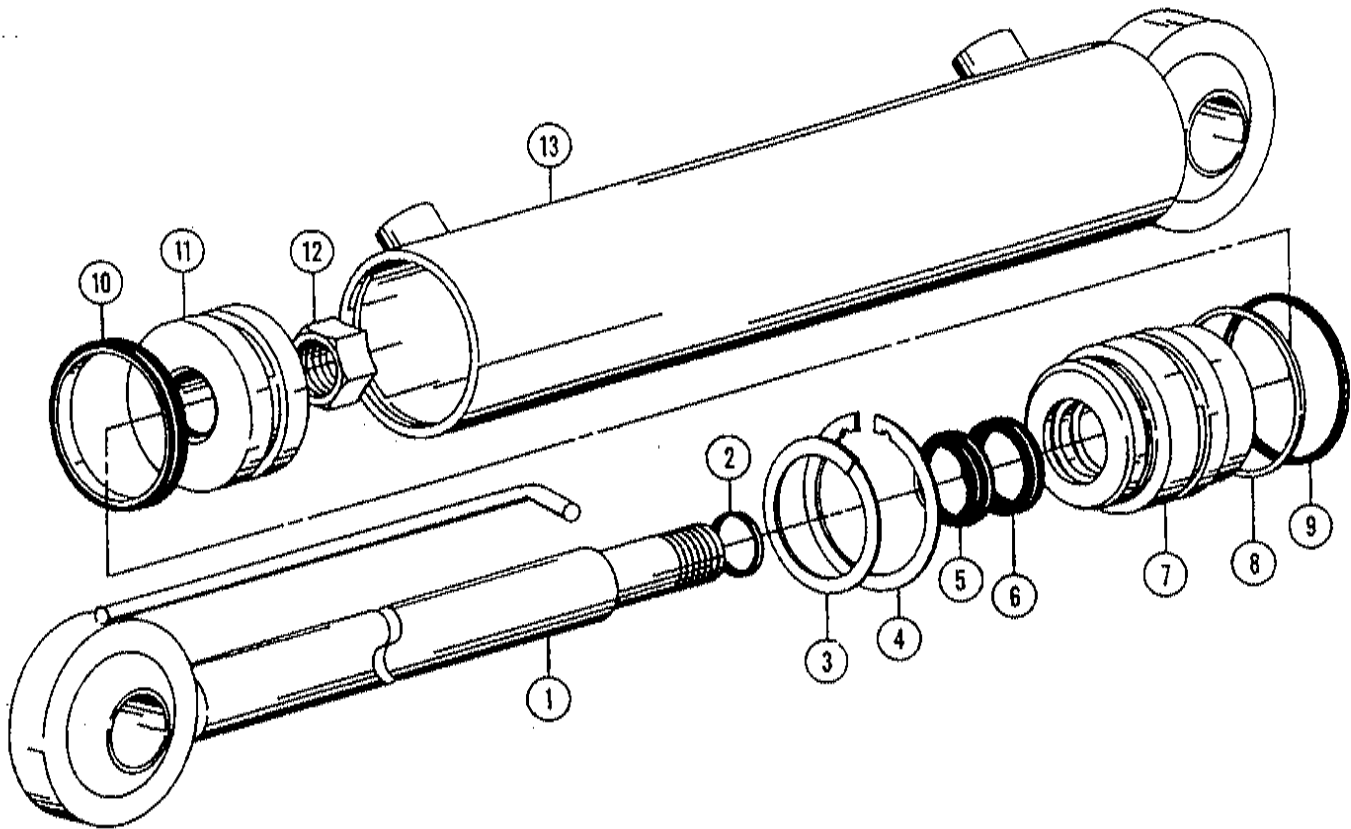
Revised November 1996 due to change to new sequence valve.



| REF. NO. | PART NO. | DESCRIPTION | QTY. |
|----------|----------|--|------|
| 8-7 | 1 | 234691-003 BODY-VALVE | 1 |
| 8-7 | 2 | 234691-005 VALVE-SEQUENCE | 2 |
| | | 234691-007 SEAL KIT-SEQUENCE VALVE | |
| | | 234691-001 VALVE-SEQUENCE (INC. REF. 1, 2) | |

HYDRAULIC CYLINDER COMPONENTS - 1 1/2" X 6 1/2"

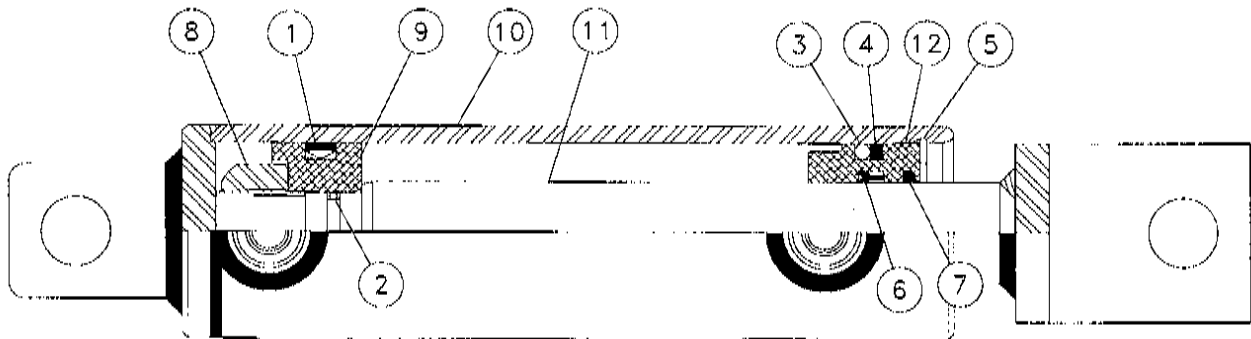
Figure 8-8



| REF. NO. | PART NO. | DESCRIPTION | QTY. |
|----------|------------|---|------|
| 8-8 | 1 | 905513-003 CYLINDER ROD | 1 |
| 8-8 | 2 | 16138-031 O-RING | 1 |
| 8-8 | 3 | 51276-001 RETAINING RING | 1 |
| 8-8 | 4 | 51277-001 RETAINING RING | 1 |
| 8-8 | 5 | 60530-001 50-5 ROD WIPER | 1 |
| 8-8 | 6 | 60529-001 U-PACK | 1 |
| 8-8 | 7 | 200944-001 GLAND | 1 |
| 8-8 | 8 | 60531-001 19-218 BACK-UP WASHER | 1 |
| 8-8 | 9 | 4883-001 O-RING | 1 |
| 8-8 | 10 | 60695-001 UNI-RING 12G-116108-187 | 1 |
| 8-8 | 11 | 200943-001 PISTON | 1 |
| 8-8 | 12 | 395-001 NUT-1/2"-20 GR 8 SLTL | 1 |
| 8-8 | 13 | 905513-005 CYLINDER BODY | 1 |
| | 905513-001 | CYLINDER-1 1/2 X 6 1/2 (INC. REF. 1-13) | |
| | 67129-001 | REPAIR KIT (INC. REF. 2, 4-6 & 8-10) | |

HYDRAULIC CYLINDER COMPONENTS - 2" X 5"

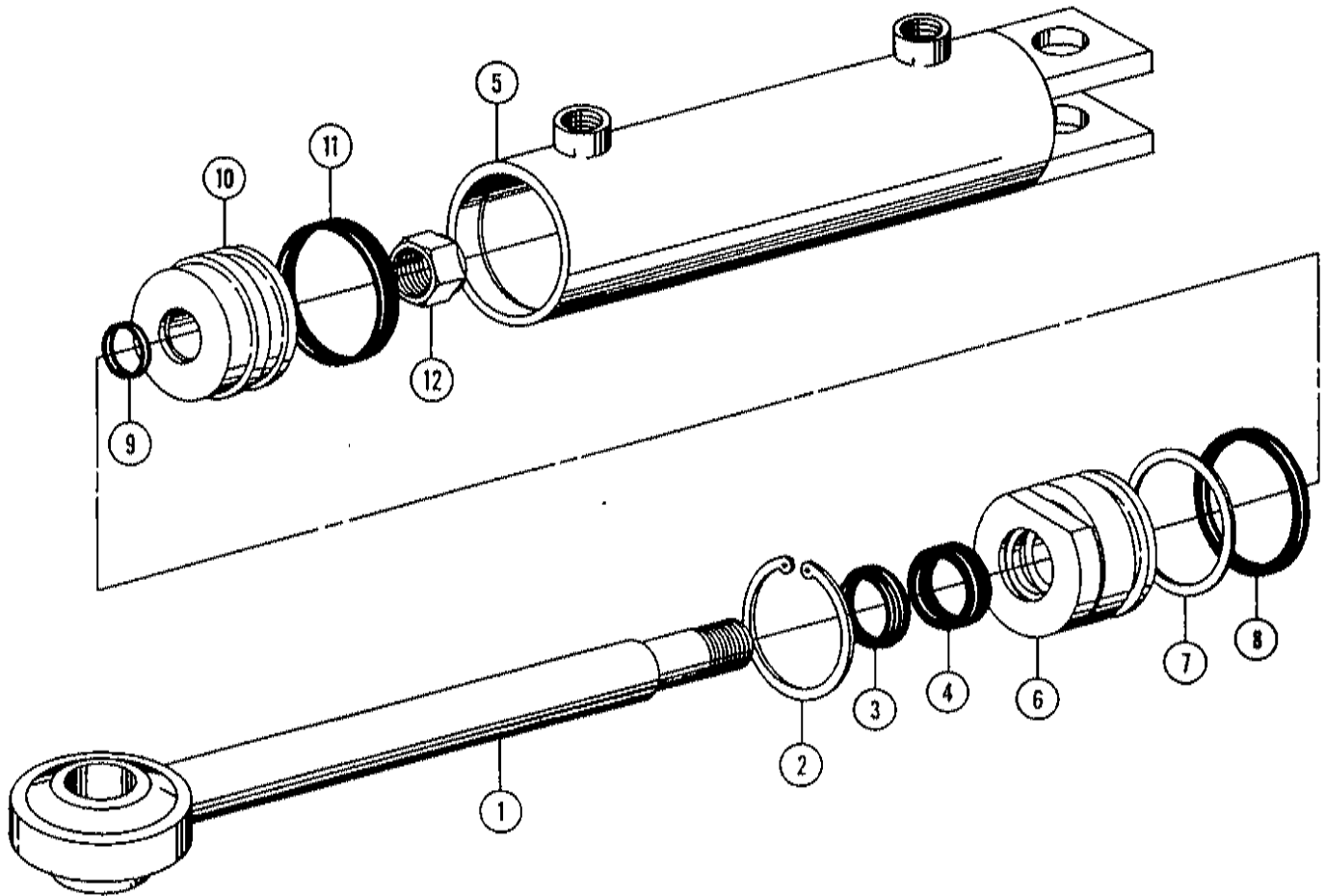
Figure 8-9



| REF. NO. | PART NO. | DESCRIPTION | QTY. |
|----------|------------|--|------|
| 8-9 | 1 | 200833-001 UNIRING 12G-200120-312 | 1 |
| 8-9 | 2 | 208-007 O-RING-SPRG CAP GRESEN 455-001 | 1 |
| 8-9 | 3 | 51181-001 O-RING #326 | 1 |
| 8-9 | 4 | 200914-001 WASHER-326 BACKUP | 1 |
| 8-9 | 5 | 602-200 SNAP RING-INT. N5000-200 | 1 |
| 8-9 | 6 | 219107-009 LOADED U-CUP | 1 |
| 8-9 | 7 | 219107-011 ROD WIPER | 1 |
| 8-9 | 8 | 330-011 NUT-7/8-14 NF SLTL UTC | 1 |
| 8-9 | 9 | 219107-013 PISTON | 1 |
| 8-9 | 10 | 219107-003 BARREL ASSEMBLY | 1 |
| 8-9 | 11 | 219107-005 ROD ASSEMBLY | 1 |
| 8-9 | 12 | 219107-007 SNAP RING HEAD | 1 |
| | 219107-001 | CYL-2 X 5 (INC. REF. 1-12) | |
| | 219107-015 | REPAIR KIT-2"CYLINDER (INC. REF. 1-7) | |

HYDRAULIC CYLINDER COMPONENTS - 2" X 2 1/2"

Figure 8-10

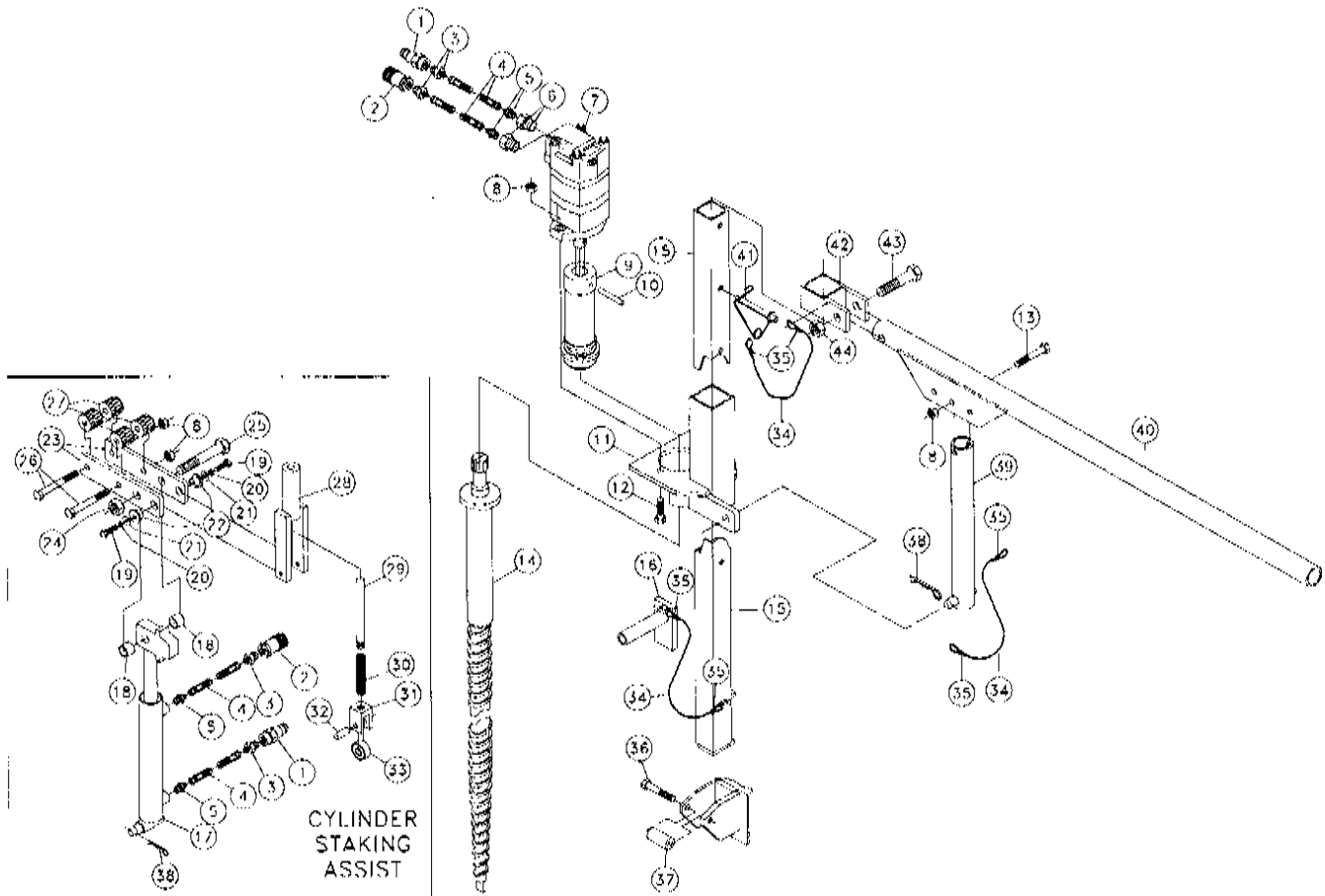


| REF. NO. | PART NO. | DESCRIPTION | QTY. |
|----------|------------|---------------------------------------|------|
| 8-10 | 1 | 901750-003 ROD | 1 |
| 8-10 | 2 | 602-200 SNAP RING-INT. | 1 |
| 8-10 | 3 | 200773-001 WIPER | 1 |
| 8-10 | 4 | 205002-001 1 1/8" LOADED U-CUP | 1 |
| 8-10 | 5 | 901750-005 BODY ASSY | 1 |
| 8-10 | 6 | 200831-001 GLAND | 1 |
| 8-10 | 7 | 200834-001 BACKUP WASHER | 1 |
| 8-10 | 8 | 51172-001 O-RING | 1 |
| 8-10 | 9 | 19976-045 ORING | 1 |
| 8-10 | 10 | 200832-001 PISTON | 1 |
| 8-10 | 11 | 200833-001 UNIRING | 1 |
| 8-10 | 12 | 398-001 NUT-3/4X16 GR 8 SLTL | 1 |
| | 901750-001 | CYLINDER-2X2 1/2 HYD (INC. REF. 1-12) | |
| | 901750-007 | REPAIR KIT (INC. REF. 2-4, 6-9 & 11) | |

DELUXE POWER STAKE DOWN ASSEMBLY

Figure 9-1

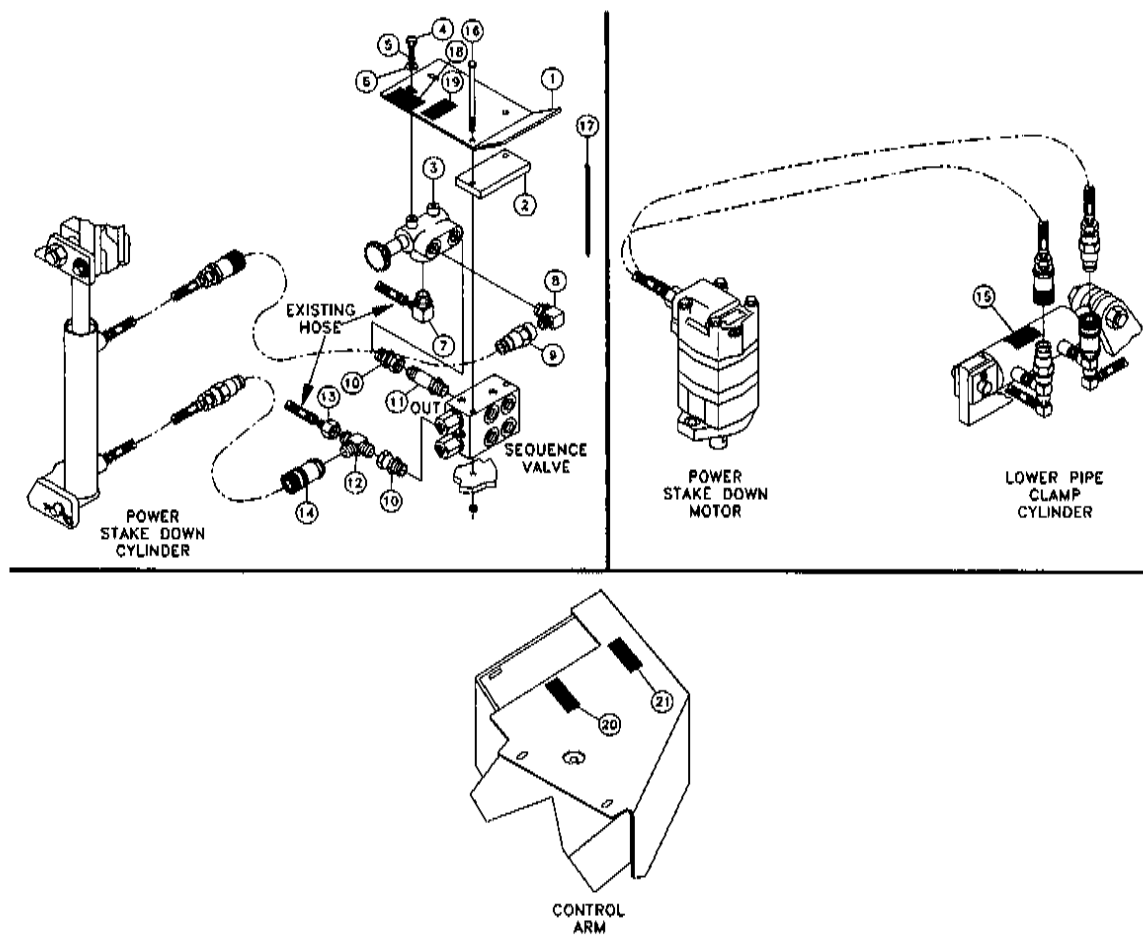
Revised November 1996 due to hose length change. Changed part marked with *.



| REF. NO. | PART NO. | DESCRIPTION | QTY. | REF. NO. | PART NO. | DESCRIPTION | QTY. | | |
|----------|----------|-------------|---|----------|----------|-------------|------------|--|-----|
| 9-1 | 1 | 221503-001 | COUPLER-3/8 NPT QUICK (MALE) | A/R | 9-1 | 23 | 220998-001 | LOCK-ROLLER | 2 |
| 9-1 | 2 | 221504-001 | COUPLER-3/8 NPT QUICK (FEMALE) | A/R | 9-1 | 24 | 434-001 | NUT-3/4 NC SLTL | 1 |
| 9-1 | 3 | 93707-001 | FITTING-4M JICX 3/8M NPT STR. | A/R | 9-1 | 25 | 369-044 | BOLT-3/4-10X4 1/2" GRADE#5 HEX | 1 |
| 9-1 | 4 | *53843-149 | HOSE-1/4X242 4FS JIC ST/ST(100R1) | A/R | 9-1 | 26 | 358-040 | 1/2-13X4"GRADE#5 HEX BOLT | 2 |
| 9-1 | 5 | 57968-001 | 6M O-RING 4M JIC STRAIGHT | A/R | 9-1 | 27 | 905341-001 | ROLLER | 4 |
| 9-1 | 6 | 57967-001 | 10M-6F O-RING BUSHING | 2 | 9-1 | 28 | 220993-001 | BRACKET-ROLLER MOUNT | 1 |
| 9-1 | 7 | 228514-001 | MOTOR-HYD. (BREAKDOWN FIG. 9-4) | 1 | 9-1 | 29 | 220999-001 | GUIDE-ROLLER | 1 |
| 9-1 | 8 | 423-001 | NUT-1/2 NC SLTL UTB | A/R | 9-1 | 30 | 1803-015 | SPRING - COMP. #39 3 1/2" OA | 1 |
| 9-1 | 9 | 228511-001 | COUPLER-1 1/4" DRIVE | 1 | 9-1 | 31 | 220992-001 | MOUNT-ROLLER | 1 |
| | | 228518-001 | COUPLER-1" DRIVE | 1 | 9-1 | 32 | 224579-001 | ROLL PIN- 1/2 X 1 1/4 | 1 |
| 9-1 | 10 | 228516-001 | PIN-3/8"X2 1/2" TYPE A GROOVED | 1 | 9-1 | 33 | 1732-003 | BEARING-#202KRR7 FAFNIR | 1 |
| 9-1 | 11 | 225016-001 | MOUNT-MOTOR | 1 | 9-1 | 34 | 1830-005 | CABLE-3/32"NYLON COATED (SPECIFY LENGTH) | A/R |
| 9-1 | 12 | 358-016 | BOLT-1/2-13X1 3/4 GRADE #5 HEX | 2 | | | | | |
| 9-1 | 13 | 358-030 | BOLT-1/2"-13X3" | 1 | 9-1 | 35 | 1838-001 | CONNECTOR-WIRE (ETC) | A/R |
| 9-1 | 14 | 228504-001 | \$TAKE-EARTH | 4 | 9-1 | 36 | 358-026 | 1/2-13X2 3/4"GRADE#5HEX BOLT | 1 |
| 9-1 | 15 | 228509-001 | TUBE-STAKING | 1 | 9-1 | 37 | 1081-049 | TUBE-1"ODX9/16"IDX2 1/16 | 1 |
| 9-1 | 16 | 225019-001 | BAR-LOCK | 1 | 9-1 | 38 | 1794-003 | HAIR PIN COTTER - .148 WIRE | 1 |
| 9-1 | 17 | 224589-001 | CYLINDER 1 1/2 X 8 HYD (BREAKDOWN FIG. 9-5) | 1 | 9-1 | 39 | 228526-001 | LINK | 1 |
| 9-1 | 18 | 1088-057 | TUBE-1 1/4"ODX13/16"ID-3/4" | 2 | 9-1 | 40 | 228529-001 | HANDLE | 1 |
| 9-1 | 19 | 354-006 | BOLT-3/8"-16X3/4"GRADE#5 HEX | 2 | 9-1 | 41 | 103734-001 | LYNCH PIN-1/2"X3 1/2" | 1 |
| 9-1 | 20 | 480-007 | WASHER-3/8 S/T LOCK | 2 | 9-1 | 42 | 228524-001 | COLLAR | 1 |
| 9-1 | 21 | 485-007 | WASHER-3/8 FLAT | 2 | 9-1 | 43 | 369-034 | BOLT-3/4"-10X3 1/2" | 1 |
| 9-1 | 22 | 225038-001 | BUSHING-PIVOT | 2 | 9-1 | 44 | 434-001 | NUT-3/4"-10 SLTL | 1 |

SELECTOR VALVE ASSEMBLY

Figure 9-2

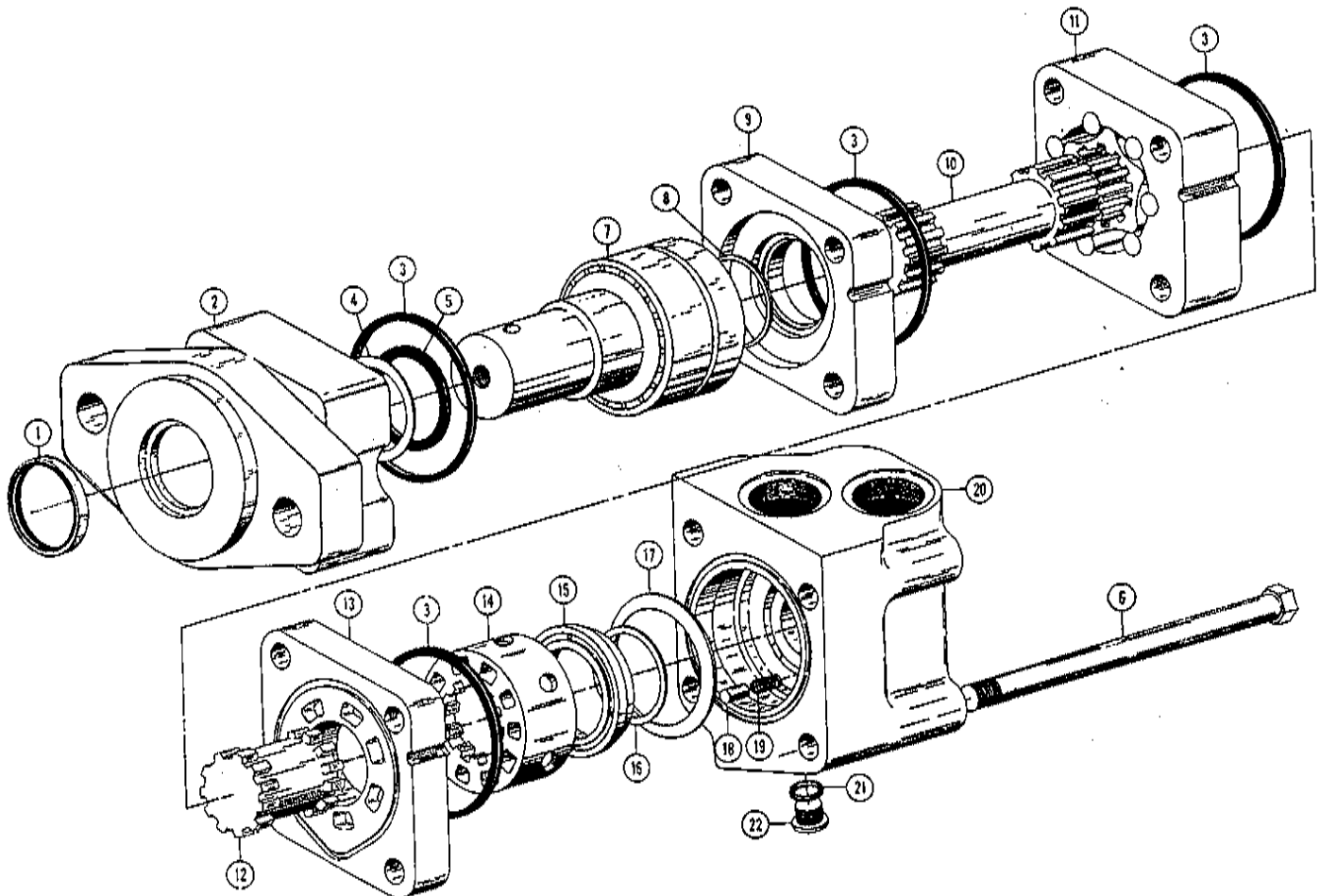


| REF. NO. | PART NO. | DESCRIPTION | QTY. |
|----------|----------|--|------|
| 9-2 | 1 | 226066-001 MOUNT-SELECTOR VALVE | 1 |
| 9-2 | 2 | 226067-001 SPACER | 1 |
| 9-2 | 3 | 900607-001 VALVE - SELECTOR (BREAKDOWN FIG. 9-5) | 1 |
| 9-2 | 4 | 351-006 BOLT-5/16-18X3/4" GRADE#5 HEX | 2 |
| 9-2 | 5 | 480-005 WASHER-5/16 S/T LOCK | 2 |
| 9-2 | 6 | 485-005 WASHER-5/16 FLAT | 2 |
| 9-2 | 7 | 86671-001 FITTING-8M ORING X4M JIC 90 EL | 1 |
| 9-2 | 8 | 117443-001 FITTING-8M O'RING X 3/8 NPT 90 | 1 |
| 9-2 | 9 | 221503-001 COUPLER-3/8 NPT QUICK (MALE) | 1 |
| 9-2 | 10 | 104156-001 FITTING-8M ORINGX8FSJIC STR. | 2 |
| 9-2 | 11 | 100850-001 FITTING-8MX8MJIC LONG STH. | 1 |
| 9-2 | 12 | 120836-001 FITTING-TEE 8MJIC8MJIC3/8M NPT | 1 |
| 9-2 | 13 | 54385-001 FITTING-8F JICX4MJIC REDUCER | 1 |
| 9-2 | 14 | 221504-001 COUPLER-3/8 NPT QUICK (FEMALE) | 1 |
| 9-2 | 15 | 700IA-305 DECAL-STAKE DRIVE THRUST (UND) | 1 |
| 9-2 | 16 | 350-044 BOLT-1/4-20X4 1/2 HEXHD GR.5 | 2 |
| 9-2 | 17 | 59634-001 NYLON TIE 8" | 3 |
| 9-2 | 18 | 7000A-008 DECAL-POWER VISE/POWER STAKE | 1 |
| 9-2 | 19 | 700IA-306 DECAL-STAKE DRIVER ROTAT.(UND) | 1 |
| 9-2 | 20 | 700IA-323 DECAL-STAKE DRIVER ROTAT.(UND) | 1 |
| 9-2 | 21 | 700IA-324 DECAL-STAKE DRIVER THRUST(UND) | 1 |

HYDRAULIC MOTOR COMPONENTS

Figure 9-3

Revised March 1996 due to change in shaft bearing kit. Changed parts marked with *.

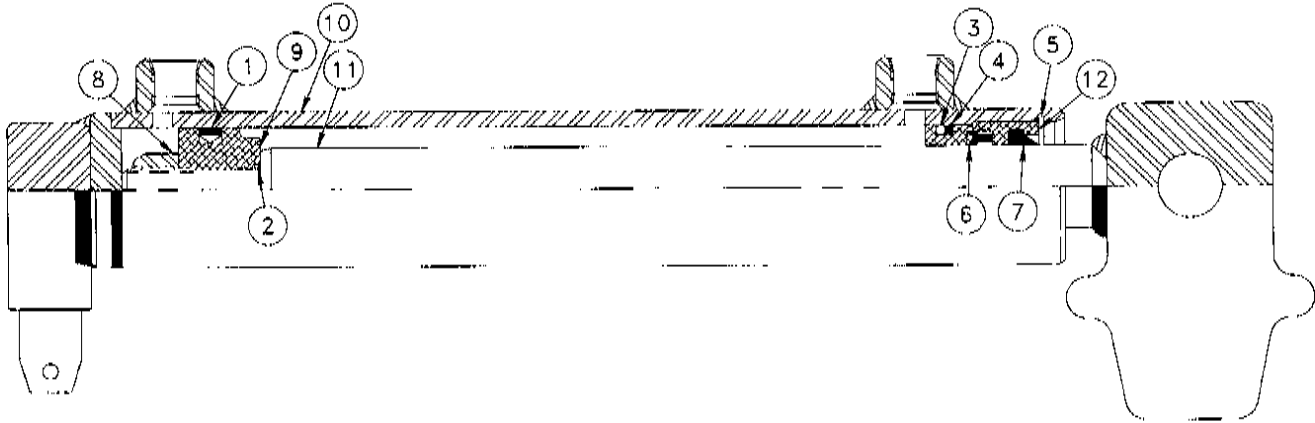


| REF. NO. | PART NO. | DESCRIPTION | QTY. | REF. NO. | PART NO. | DESCRIPTION | QTY. |
|----------|----------|--|------|----------|----------|---|------|
| 9-3 | 1 | 770-071 SEAL-DUST | 1 | 9-3 | 17 | 770-091 SEAL-FACE, OUTER | 1 |
| 9-3 | 2 | 770-073 HOUSING-BEARING | 1 | 9-3 | 18 | 770-037 PIN | 2 |
| 9-3 | 3 | 770-007 SEAL-O RING | 4 | 9-3 | 19 | 770-039 SPRING | 2 |
| 9-3 | 4 | 770-009 WASHER-BACKUP | 1 | 9-3 | 20 | 770-093 HOUSING-(SAE 10 PORTS (INC. REF. 21 & 22) | 1 |
| 9-3 | 5 | 770-075 SEAL-SHAFT | 1 | 9-3 | 21 | 4485-023 O-RING | 1 |
| 9-3 | 6 | 70020-007 BOLT | 4 | 9-3 | 22 | 4485-019 PLUG | 1 |
| 9-3 | 7 | *228514-003 SHAFT & BEARING KIT 1 1/4" | 1 | | | 4485-021 PLUG ASSY (INC. REF. 21 & 22) | 1 |
| 9-3 | 8 | 770-017 SEAL-SHAFT | 1 | | | *228514-001 MOTOR-HYD. 24 CID 2-BOLT FLGE (INC. REF. 1-22) | |
| 9-3 | 9 | 770-079 PLATE-WEAR | 1 | | | 770-097 REPAIR KIT (INC. REF. 1, 3, 4, 5, 8, 16, 17 & 21) | |
| 9-3 | 10 | 774-023 DRIVE- | 1 | | | | |
| 9-3 | 11 | 774-025 GEROLER ASSY | 1 | | | | |
| 9-3 | 12 | 774-011 DRIVE-VALVE | 1 | | | | |
| 9-3 | 13 | 770-085 PLATE-VALVE | 1 | | | | |
| 9-3 | 14 | 770-087 VALVE | 1 | | | | |
| 9-3 | 15 | 770-089 PLATE-BALANCE | 1 | | | | |
| 9-3 | 16 | 770-057 SEAL-FACE INNER | 1 | | | | |

NOTE: WHEN ORDERING REPLACEMENT PARTS, INCLUDE THE PRODUCT NUMBER 104-1743-006 WITH YOUR ORDER.

HYDRAULIC CYLINDER COMPONENTS - 1 1/2" X 8"

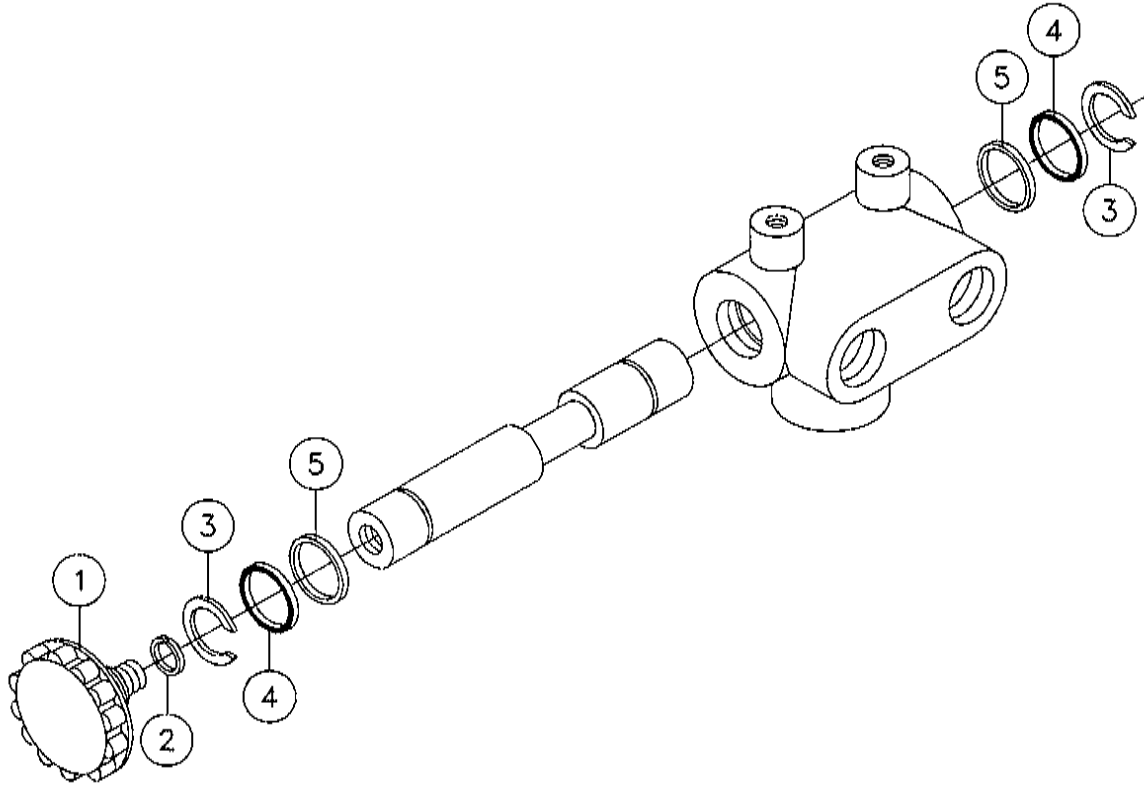
Figure 9-4



| <u>REF. NO.</u> | <u>PART NO.</u> | <u>DESCRIPTION</u> | <u>QTY.</u> |
|-----------------|-----------------|---|-------------|
| 9-4 | 1 | 215170-003 UNI-RING | 1 |
| 9-4 | 2 | 223998-003 O-RING | 1 |
| 9-4 | 3 | 202727-001 O-RING | 1 |
| 9-4 | 4 | 202726-001 WASHER-BACK-UP | 1 |
| 9-4 | 5 | 224589-009 INTERNAL SNAP RING | 1 |
| 9-4 | 6 | 219111-009 LOADED U-CUP | 1 |
| 9-4 | 7 | 219111-011 ROD WIPER | 1 |
| 9-4 | 8 | 215170-011 LOCKNUT-ELASTIC | 1 |
| 9-4 | 9 | 202720-001 PISTON | 1 |
| 9-4 | 10 | 224589-003 BODY ASSEMBLY | 1 |
| 9-4 | 11 | 224589-005 ROD ASSEMBLY | 1 |
| 9-4 | 12 | 224589-007 GLAND | 1 |
| | 224589-001 | CYLINDER 1 1/2 X 8 HYD (INC. REF. 1-12) | |
| | 224589-011 | SEAL KIT (INC. REF. 1-7) | |

SELECTOR VALVE COMPONENTS

Figure 9-5

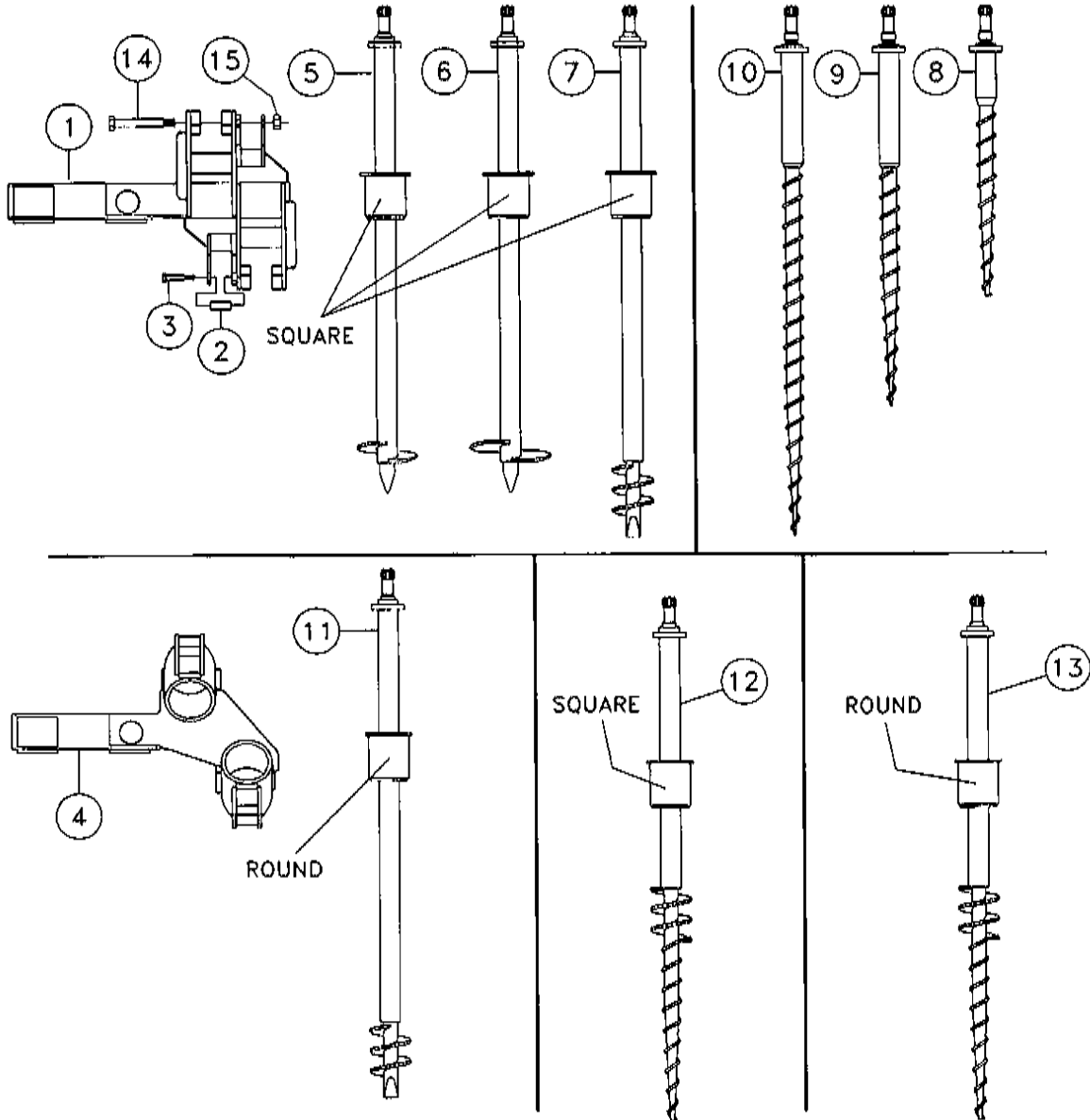


| REF. NO. | PART NO. | DESCRIPTION | QTY. |
|----------|------------|---|------|
| 9-5 | 1 | 207-003 KNOB-CONTROL | 1 |
| 9-5 | 2 | 480-007 WASHER-3/8 S/T LOCK | 1 |
| 9-5 | 3 | 207-005 RING-SNAP | 2 |
| 9-5 | 4 | 207-011 O-RING | 2 |
| 9-5 | 5 | 207-009 LEATHER-BACK UP | 2 |
| | 900607-001 | VALVE - SELECTOR (INC. SPOOL, HOUSING & REF. 1-5) | |
| | 207-013 | REPAIR KIT (INC. REF. 3-5) | |

STAKE ASSEMBLY

Figure 9-6

Revised April 1997 due to correction in parts list & change in description. Changed parts marked with *.

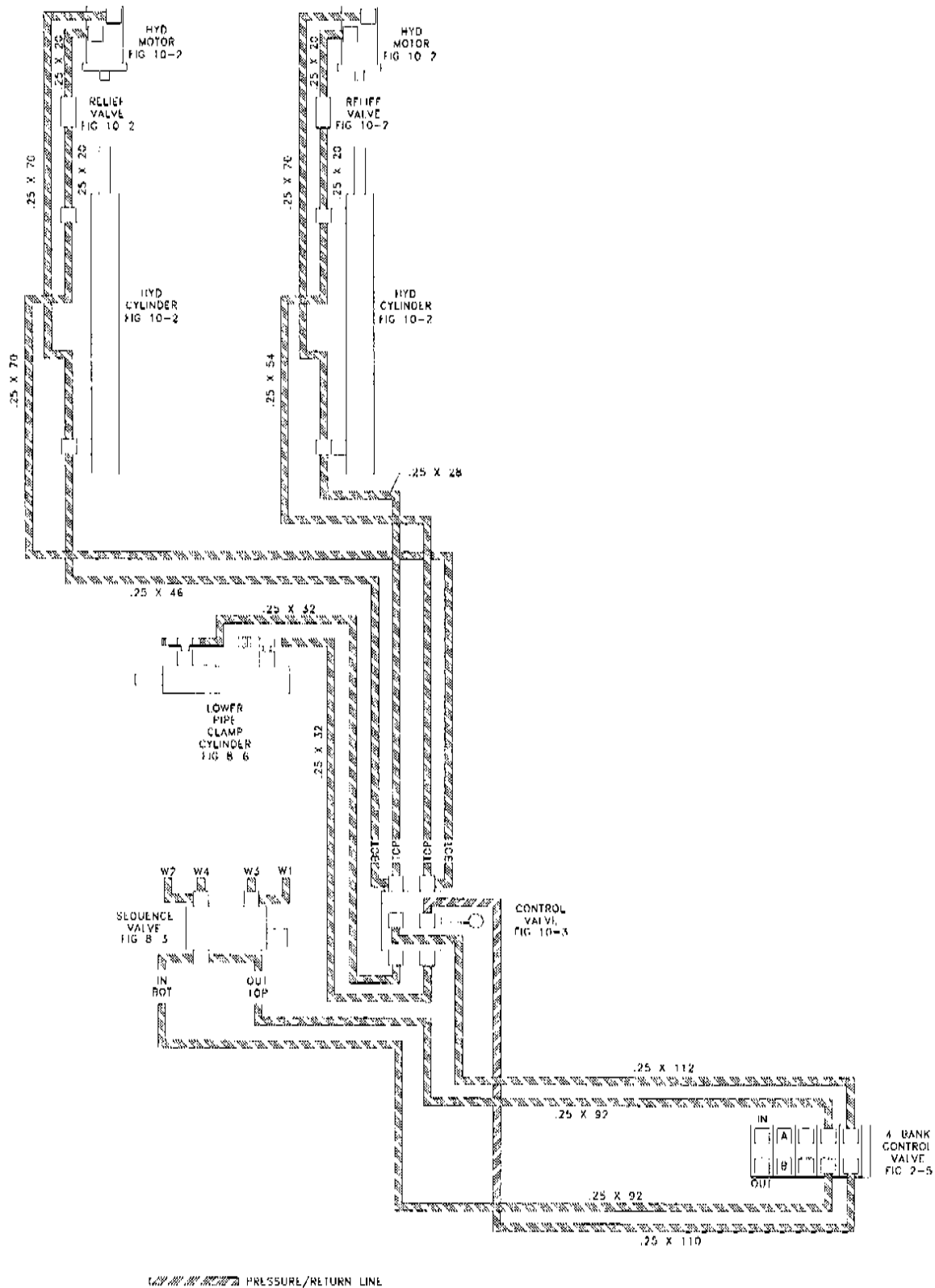


| REF. NO. | PART NO. | DESCRIPTION | QTY. |
|----------|----------|--|------|
| 9-6 | 1 | 220927-001 EAR-LARGE ANCHOR | 1 |
| 9-6 | 2 | 1081-049 TUBE-1" OD X 9/16" ID X 2 1/16" | 1 |
| 9-6 | 3 | 358-026 BOLT-1/2"-13X2 3/4" GR 5 HEX | 1 |
| 9-6 | 4 | 228537-001 MOUNT-STAKE | 1 |
| 9-6 | 5 | 226019-001 6" DELUXE SAND STAKE | 1 |
| 9-6 | 6 | 220938-001 8" DELUXE SAND STAKE | 1 |
| 9-6 | 7 | 228506-001 STAKE-4" FLIGHT SQ. CAN | 1 |
| 9-6 | 8 | *228547-001 STAKE-2 FEET EARTH | 1 |
| 9-6 | 9 | *228533-001 STAKE-3 FEET EARTH | 1 |
| 9-6 | 10 | *228504-001 STAKE-4 FEET EARTH | 1 |
| 9-6 | 11 | 228505-001 STAKE-4" FLIGHT ROUND CAN | 1 |
| 9-6 | 12 | 228551-001 STAKE-4" TAPER FLIGHT SQ. CAN | 1 |
| 9-6 | 13 | 228550-001 STAKE-4" TAPER FLIGHT-ROUND CAN | 1 |
| 9-6 | 14 | 369-060 BOLT-3/4"-10X6" GR 5 HEX | 2 |
| 9-6 | 15 | 432-001 NUT-3/4"-10 UNC | 2 |

HYDRAULIC COMPONENT LOCATION DIAGRAM - STATIONARY STAKEDOWN

Figure 10-1

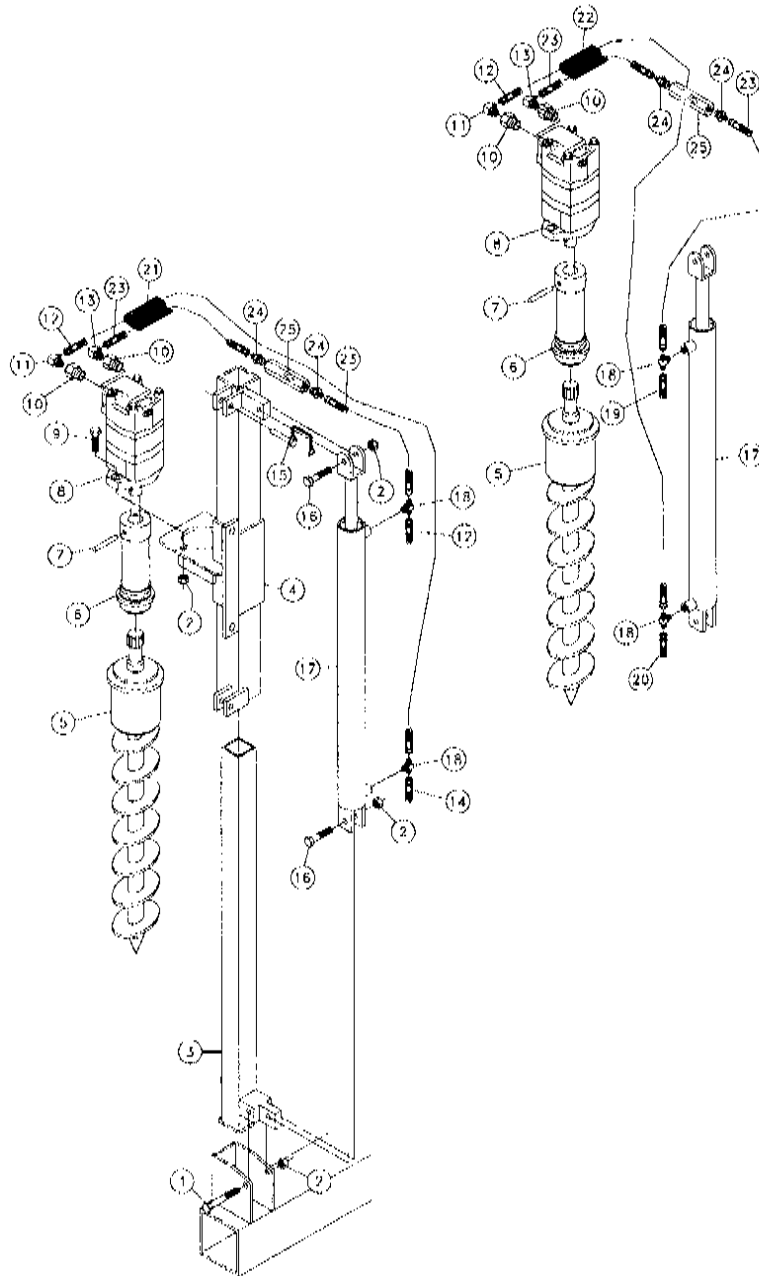
Revised November 1996 due to addition of figure to manual.



STATIONARY STAKEDOWN ASSEMBLY

Figure 10-2

Revised November 1996 due to addition of figure to manual.

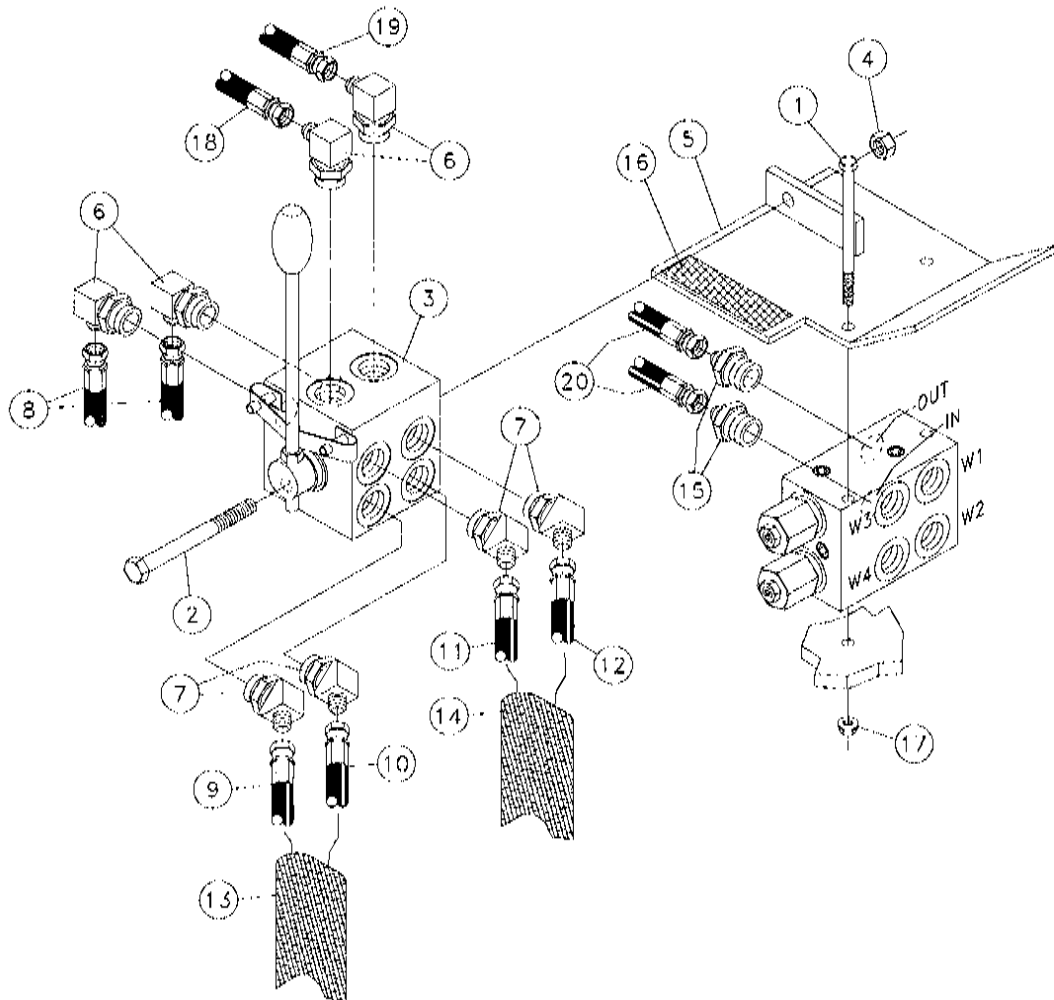


| REF. NO. | PART NO. | DESCRIPTION | QTY. | REF. NO. | PART NO. | DESCRIPTION | QTY. |
|----------|----------|---|------|----------|----------|--|------|
| 10-2 | 1 | 358-032 BOLT-1/2-13X3 1/4 GRADE #5 HEX | 2 | 10-2 | 13 | 70054-001 FITTING-6MX4 M JIC 90 W/060 | 2 |
| 10-2 | 2 | 423-001 NUT-1/2 NC SLTL UTB | 10 | 10-2 | 14 | 53843-567 HOSE-1/4X46 4FS JIC 3000 PSI | 1 |
| 10-2 | 3 | 232408-001 TUBE-STAKE | 2 | 10-2 | 15 | 2109-003 PIN LOCKING - 3/8 X 2 1/4 | 2 |
| 10-2 | 4 | 232410-001 TUBE-SLIDE | ? | 10-2 | 16 | 358-022 BOLT-1/2-13X2 1/4"GRADE#5 HEX | 4 |
| 10-2 | 5 | 232421-001 STAKE | 2 | 10-2 | 17 | 232422-001 CYLINDER-1 1/2X24 (BHEAKDOWN FIG. 10-5) | 2 |
| 10-2 | 6 | 228511-001 COUPLER-1 1/4" DRIVE | 2 | 10-2 | 18 | 81343-001 4M (BCH)X4M JICX4M JIC TEE | 4 |
| | | 228518-001 COUPLER-1"DRIVE | A/R | 10-2 | 19 | 53843-687 HOSE-1/4X54 4FSJIC 3000 PSI | 1 |
| 10-2 | 7 | 228516-001 PIN-3/8X2 1/2 TYPE A GROOVED | 1 | 10-2 | 20 | 53843-181 HOSE-1/4X28 4FS JIC 3000PSI | 1 |
| 10-2 | 8 | 228514-001 MOTOR-2000 SERIES 24 CID (BREAKDOWN FIG. 10-4) | ? | 10-2 | 21 | 235259-001 SLEEVE-HOSE PROTECTIVE | 1 |
| 10-2 | 9 | 358-016 BOLT-1/2-13X1 3/4 GRADE #5 HEX | 4 | 10-2 | 22 | 235260-001 SLEEVE-HOSE PROTECTIVE | 1 |
| 10-2 | 10 | 57967-001 10M-6F O-RING BUSHING | 4 | 10-2 | 23 | 53843-211 HOSE-1/4X20 4FS JIC 3000 PSI | 4 |
| 10-2 | 11 | 57950-001 FITTING-6M X 4 JIC 90 DEG. | 2 | 10-2 | 24 | 93707-001 FITTING-4M JICX 3/8M NPT STR. | 4 |
| 10-2 | 12 | 53843-689 HOSE-1/4X70 4FS JIC 3000 PSI | 3 | 10-2 | 25 | 232498-001 VALVE- RELIEF(750 PSI) | 2 |

STATIONARY STAKEDOWN SELECTOR VALVE ASSEMBLY

Figure 10-3

Revised November 1996 due to addition of figure to manual.

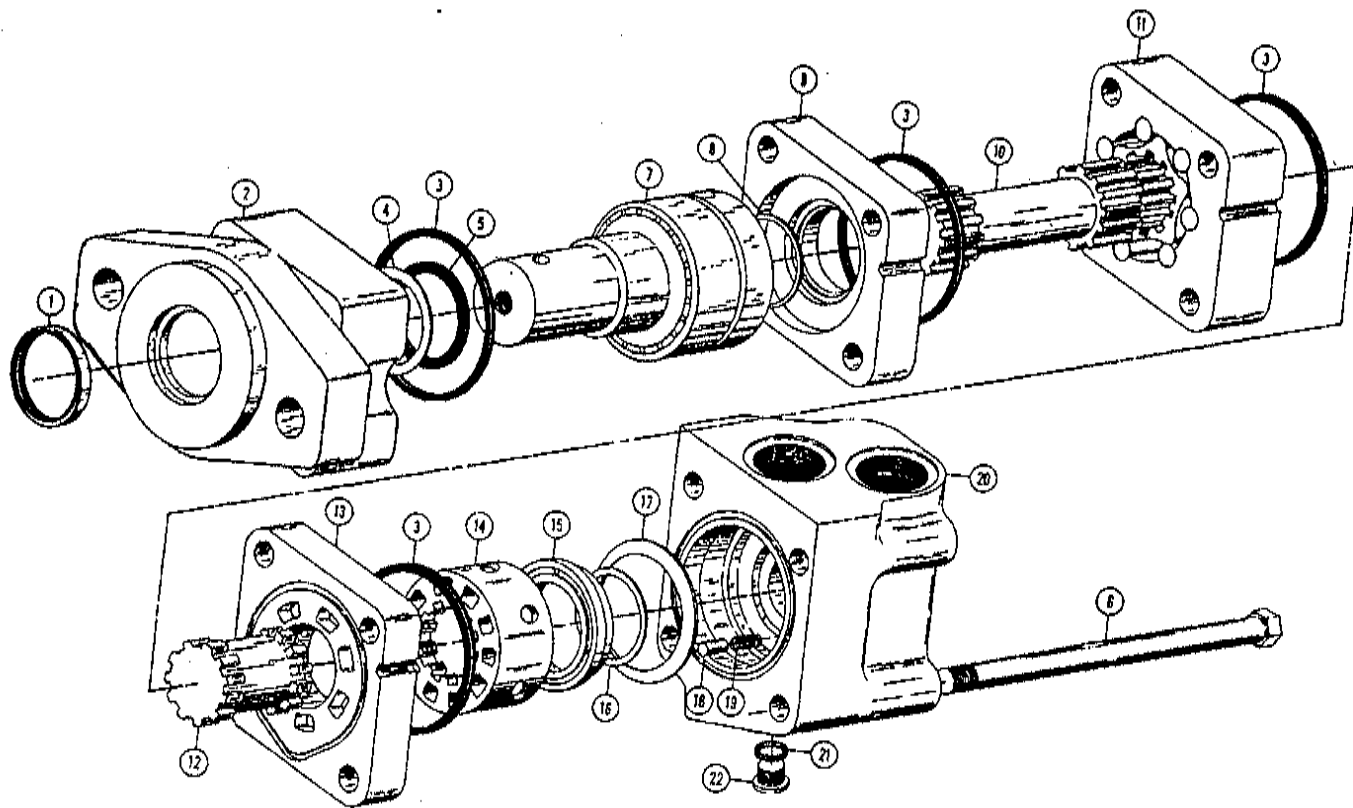


| REF. NO. | PART NO. | DESCRIPTION | QTY. |
|----------|----------|--|------|
| 10-3 | 1 | 350-040 1/4-20X4" GRADE#5 HEX BOLT | 2 |
| 10-3 | 2 | 354-036 3/8-16X3 3/4"GRADE#5 HEX BOLT | 1 |
| 10-3 | 3 | 232467-001 VALVE-ROTARY DIVERTER | 1 |
| 10-3 | 4 | 416-001 NUT-3/8 NC SLTL | 1 |
| 10-3 | 5 | 232429-001 PLATE-VALVE MOUNT | 1 |
| 10-3 | 6 | 86671-001 FITTING-8M ORING X4M JIC 90 EL | 4 |
| 10-3 | 7 | 82932-001 FITTING-8MX4M JIC 45DEG ELBOW | 4 |
| 10-3 | 8 | 53843-559 HOSE-1/4X32 4FS JIC 3000 PSI | 2 |
| 10-3 | 9 | 53843-687 HOSE-1/4X54 4FSJIC 3000 PSI | 1 |
| 10-3 | 10 | 53843-181 HOSE-1/4X28 4FS JIC 3000PSI | 1 |
| 10-3 | 11 | 53843-689 HOSE-1/4X70 4FS JIC 3000 PSI | 1 |
| 10-3 | 12 | 53843-567 HOSE-1/4X46 4FS JIC 3000 PSI | 1 |
| 10-3 | 13 | 235260-001 SLEEVE-HOSE PROTECTIVE (92") | 1 |
| 10-3 | 14 | 235259-001 SLEEVE-HOSE PROTECTIVE (109") | 1 |
| 10-3 | 15 | 53657-001 FITTING-8M OR X 4M JIC ST. | 2 |
| 10-3 | 16 | 700IA-527 DECAL-DRIVE ENGAGE | 1 |
| 10-3 | 17 | 405-001 NUT-1/4 NC FLG WHIZ LOCK | 2 |
| 10-3 | 18 | 53843-363 HOSE-1/4X110 4FS JIC SAE-100R1 | 1 |
| 10-3 | 19 | 53843-573 HOSE-1/4 X 112 4FS IC 3000 PSI | 1 |
| 10-3 | 20 | 53843-589 HOSE-1/4X92 4FS JIC 3000PSI | 2 |

HYDRAULIC MOTOR COMPONENTS

Figure 10-4

Revised November 1996 due to addition of figure to manual.



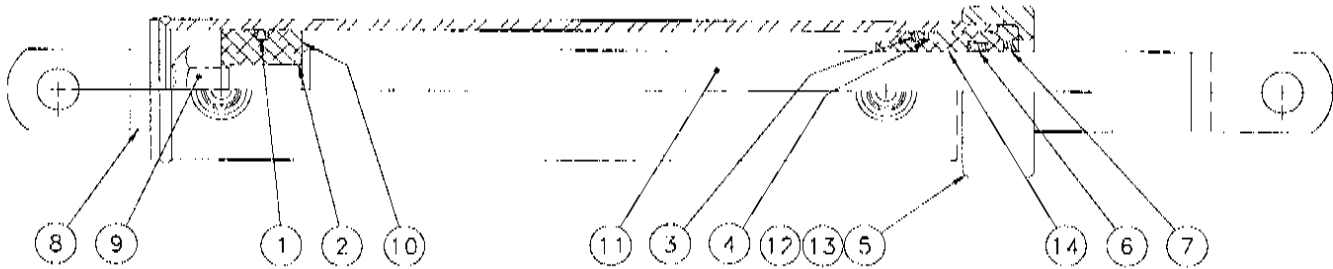
| REF. NO. | PART NO. | DESCRIPTION | QTY. | REF. NO. | PART NO. | DESCRIPTION | QTY. |
|----------|----------|--|------|----------|----------|---|------|
| 10-4 | 1 | 770-071 SEAL-DUST | 1 | 10-4 | 16 | 770-057 SEAL-FACE INNER | 1 |
| 10-4 | 2 | 770-073 HOUSING-BEARING | 1 | 10-4 | 17 | 770-091 SEAL-FACE, OUTER | 1 |
| 10-4 | 3 | 770-007 SEAL-O RING | 4 | 10-4 | 18 | 770-037 PIN- | 2 |
| 10-4 | 4 | 770-009 WASHER-BACKUP | 1 | 10-4 | 19 | 770-039 SPRING | 2 |
| 10-4 | 5 | 770-075 SEAL-SHAFT | 1 | 10-4 | 20 | 770-093 HOUSING-(SAE 10 PORTS) (INC. REF. 21 & 22) | 1 |
| 10-4 | 6 | 70020-007 BOLT | 4 | 10-4 | 21 | 4485-023 O-RING | 1 |
| 10-4 | 7 | 228514-003 SHAFT AND BEARING KIT-1 1/4 | 1 | 10-4 | 22 | 4485-019 PLUG | 1 |
| 10-4 | 8 | 770-017 SEAL-SHAFT FACE | 1 | 10-4 | 22 | 4485-021 PLUG ASSY (INC. REF. 21 & 22) | 1 |
| 10-4 | 9 | 770-079 PLATE-WEAR | 1 | | | | |
| 10-4 | 10 | 774-023 DRIVE- | 1 | | | | |
| 10-4 | 11 | 774-025 GEROLER ASSY- | 1 | | | | |
| 10-4 | 12 | 774-011 DRIVE-VALVE | 1 | | | | |
| 10-4 | 13 | 770-085 PLATE-VALVE | 1 | | | | |
| 10-4 | 14 | 770-087 VALVE- | 1 | | | | |
| 10-4 | 15 | 770-089 PLATE-BALANCE | 1 | | | | |
| | | | | | | 228514-001 MOTOR-HYD. (INC. REF. 1-22) | |
| | | | | | | 770-097 REPAIR KIT (INC. REF. 1, 3, 4, 5, 8, 16, 17 & 21) | |

NOTE: WHEN ORDERING REPLACEMENT PARTS, INCLUDE THE PRODUCT NUMBER 104-1734-006 WITH YOUR ORDER.

HYDRAULIC CYLINDER COMPONENTS - 1 1/2" X 24"

Figure 10-5

Revised November 1996 due to addition of figure to manual.

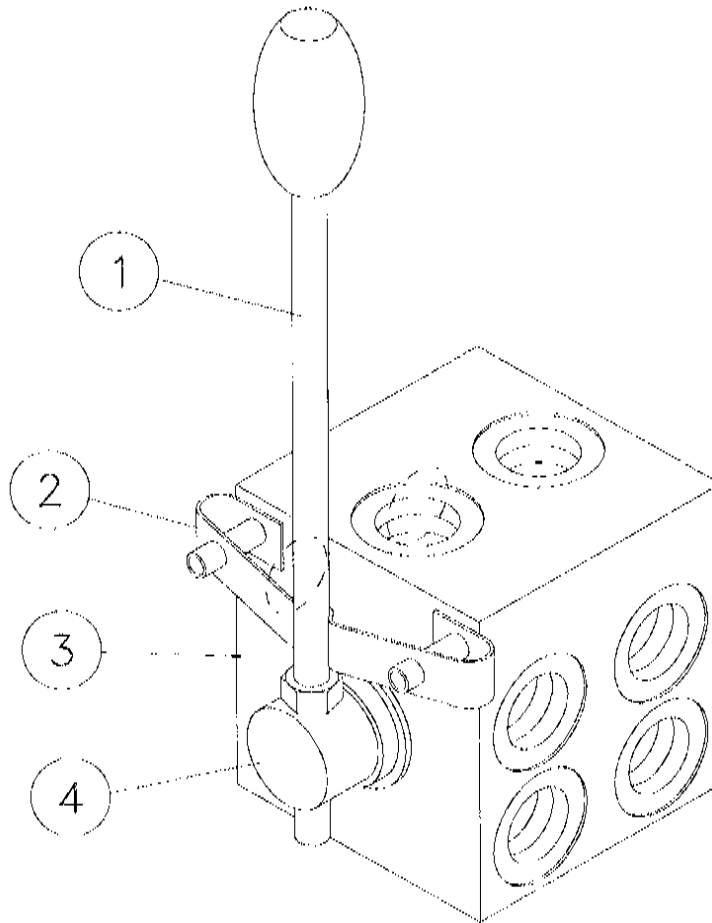


| REF. NO. | PART NO. | DESCRIPTION | QTY. |
|----------|------------|--------------------------------------|------|
| 10-5 | 1 | 232422-003 T-SEAL | 1 |
| 10-5 | 2 | 232422-005 O-RING | 1 |
| 10-5 | 3 | 232422-007 O-RING | 1 |
| 10-5 | 4 | 232422-009 BACKUP RING | 1 |
| 10-5 | 5 | 232422-011 LOCKING INSERT | 1 |
| 10-5 | 6 | 232422-013 DOUBLE LIP U-CUP | 1 |
| 10-5 | 7 | 232422-015 ROD WIPER | 1 |
| 10-5 | 8 | 232422-017 TUBE WELDMENT | 1 |
| 10-5 | 9 | 232422-019 6/5-18UNF LOCKNUT | 1 |
| 10-5 | 10 | 232422-021 PISTON | 1 |
| 10-5 | 11 | 232422-023 ROD WELDMENT | 1 |
| 10-5 | 12 | 232422-025 HEAD GLAND CAP | 1 |
| 10-5 | 13 | 99859-005 SCREW-LG SET .313-18 X .25 | 1 |
| 10-5 | 14 | 232422-027 HEAD GLAND | 1 |
| | 232422-029 | SEAL KIT (INC. REF. 1-7) | |
| | 232422-001 | CYLINDER-1 1/2X24 (INC. REF. 1-14) | |

SELECTOR VALVE COMPONENTS

Figure 10-6

Revised November 1996 due to addition of figure to manual.



| REF. NO. | PART NO. | DESCRIPTION | QTY. |
|----------|------------|--|------|
| 10-6 | 1 | 232467-003 HANDLE | 1 |
| 10-6 | 2 | 232467-005 DETENT | 1 |
| 10-6 | 3 | NSS BODY | 1 |
| 10-6 | 4 | NSS SPOOL | 1 |
| | 232467-001 | VALVE-SELECTOR | |
| | 232467-007 | SEAL KIT | |
| | NSS | NOT SOLD SEPARATELY (BODY & SPOOL ARE A MATCHED SET AND ARE NOT SOLD SEPARATELY) | |

| <u>FIG. NO.</u> | <u>PART NO.</u> | <u>FIG. NO.</u> | <u>PART NO.</u> | <u>FIG. NO.</u> | <u>PART NO.</u> | <u>FIG. NO.</u> | <u>PART NO.</u> | | | | |
|-----------------|-----------------|-----------------|-----------------|-----------------|-----------------|-----------------|-----------------|---------|------|----|----------|
| 2-35 | 10 | 70-005 | 3-9 | 11 | 373-005 | 9-5 | 2 | 480-007 | 8-9 | 5 | 602-200 |
| 9-5 | 1 | 207-003 | 1-7 | 18 | 375-010 | 1-11 | 9 | 480-007 | 8-10 | 2 | 602-200 |
| 9-5 | 3 | 207-005 | 1-2 | 6 | 375-012 | 1-12 | 9 | 480-007 | 1-6 | 1 | 602-206 |
| 9-5 | 5 | 207-009 | 3-1 | 22 | 375-012 | 1-2 | 12 | 480-011 | 2-35 | 6 | 602-250 |
| 9-5 | 4 | 207-011 | 4-3 | 10 | 375-012 | 1-7 | 2 | 480-011 | 2-36 | 7 | 602-300 |
| 8-9 | 2 | 208-007 | 2-3 | 11 | 377-012 | 1-9 | 21 | 480-011 | 1-8 | 6 | 620-001 |
| 2-36 | 5 | 208-007 | 1-16 | 4 | 377-012 | 4-3 | 15 | 480-011 | 1-8 | 7 | 620-001 |
| 2-25 | 9 | 208-015 | 8-2 | 9 | 377-022 | 8-2 | 20 | 480-011 | 2-19 | 1 | 712-001 |
| 2-25 | 8 | 208-017 | 2-13 | 5 | 383-012 | 2-10 | 3 | 480-011 | 2-34 | 3 | 751-003 |
| 2-25 | 7 | 208-019 | 1-9 | 11 | 383-030 | 2-11 | 3 | 480-011 | 2-34 | 7 | 751-009 |
| 2-26 | 7 | 208-023 | 8-8 | 12 | 395-001 | 2-12 | 3 | 480-011 | 2-34 | 8 | 751-011 |
| 4-2 | 12 | 209-017 | 8-10 | 12 | 398-001 | 2-13 | 6 | 480-011 | 2-34 | 9 | 751-013 |
| 8-9 | 8 | 330-011 | 4-1 | 6 | 399-001 | 1-4 | 14 | 480-015 | 9-3 | 3 | 770-007 |
| 6-2 | 3 | 350-010 | 6-2 | 5 | 401-001 | 1-5 | 12 | 480-015 | 2-33 | 3 | 770-007 |
| 4-3 | 12 | 350-012 | 4-3 | 13 | 402-001 | 2-32 | 16 | 480-015 | 9-3 | 4 | 770-009 |
| 2-9 | 5 | 350-016 | 8-3 | 3 | 403-001 | 1-11 | 6 | 480-017 | 2-33 | 4 | 770-009 |
| 2-8 | 1 | 350-024 | 2-8 | 4 | 405-001 | 1-12 | 6 | 480-017 | 9-3 | 8 | 770-017 |
| 8-3 | 2 | 350-040 | 3-1 | 4 | 405-001 | 1-7 | 17 | 482-001 | 2-33 | 8 | 770-017 |
| 9-2 | 16 | 350-044 | 3-5 | 1 | 405-001 | 6-1 | 8 | 482-001 | 9-3 | 18 | 770-037 |
| 9-2 | 4 | 351-006 | 3-9 | 9 | 405-001 | 6-2 | 6 | 482-001 | 2-33 | 18 | 770-037 |
| 1-8 | 15 | 351-012 | 1-16 | 13 | 405-001 | 6-1 | 5 | 482-003 | 9-3 | 19 | 770-039 |
| 1-11 | 14 | 351-012 | 1-18 | 4 | 405-001 | 1-7 | 8 | 483-001 | 2-33 | 19 | 770-039 |
| 2-17 | 5 | 351-012 | 1-2 | 5 | 406-001 | 8-4 | 4 | 483-001 | 9-3 | 16 | 770-057 |
| 7-6 | 4 | 351-014 | 1-8 | 14 | 406-001 | 8-6 | 6 | 483-001 | 2-33 | 16 | 770-057 |
| 6-2 | 9 | 351-016 | 2-4 | 4 | 406-001 | 1-17 | 8 | 483-005 | 9-3 | 1 | 770-071 |
| 2-14 | 10 | 351-022 | 7-2 | 7 | 407-001 | 2-17 | 10 | 483-005 | 2-33 | 1 | 770-071 |
| 1-2 | 4 | 351-030 | 1-8 | 17 | 408-001 | 2-13 | 11 | 483-007 | 9-3 | 2 | 770-073 |
| 2-4 | 1 | 351-030 | 3-1 | 26 | 408-001 | 1-13 | 2 | 483-025 | 2-33 | 2 | 770-073 |
| 2-5 | 1 | 351-030 | 3-7 | 5 | 408-001 | 6-2 | 4 | 485-003 | 9-3 | 5 | 770-075 |
| 2-16 | 7 | 351-030 | 6-2 | 12 | 408-001 | 2-4 | 2 | 485-005 | 2-33 | 5 | 770-075 |
| 1-15 | 6 | 351-034 | 1-14 | 7 | 408-001 | 9-2 | 6 | 485-005 | 9-3 | 9 | 770-079 |
| 7-6 | 30 | 354-006 | 1-15 | 9 | 408-001 | 1-11 | 12 | 485-005 | 2-33 | 9 | 770-079 |
| 9-1 | 19 | 354-006 | 3-1 | 8 | 411-001 | 3-5 | 12 | 485-007 | 9-3 | 13 | 770-085 |
| 4-4 | 19 | 354-010 | 4-5 | 9 | 412-001 | 4-4 | 21 | 485-007 | 2-33 | 13 | 770-085 |
| 1-11 | 10 | 354-010 | 6-2 | 8 | 412-001 | 9-1 | 21 | 485-007 | 9-3 | 14 | 770-087 |
| 1-12 | 10 | 354-010 | 7-1 | 12 | 412-001 | 1-11 | 8 | 485-007 | 2-33 | 14 | 770-087 |
| 6-2 | 7 | 354-012 | 4-4 | 17 | 413-001 | 1-12 | 8 | 485-007 | 9-3 | 15 | 770-089 |
| 2-14 | 15 | 354-012 | 3-1 | 24 | 416-001 | 2-14 | 16 | 485-007 | 2-33 | 15 | 770-089 |
| 2-18 | 1 | 354-012 | 3-5 | 13 | 416-001 | 8-2 | 19 | 485-011 | 9-3 | 17 | 770-091 |
| 3-1 | 34 | 354-014 | 2-14 | 18 | 416-001 | 2-13 | 7 | 485-011 | 2-33 | 17 | 770-091 |
| 2-7 | 1 | 354-020 | 1-9 | 9 | 421-001 | 1-7 | 10 | 510-009 | 9-3 | 20 | 770-093 |
| 2-6 | 3 | 354-032 | 4-5 | 2 | 421-001 | 1-14 | 11 | 510-009 | 2-33 | 20 | 770-093 |
| 7-6 | 1 | 354-050 | 8-2 | 21 | 421-001 | 2-16 | 1 | 510-019 | 9-3 | 3 | 770-097 |
| 3-9 | 1 | 354-080 | 1-15 | 2 | 421-001 | 8-5 | 5 | 510-021 | 2-33 | 3 | 770-097 |
| 1-7 | 1 | 358-010 | 3-1 | 21 | 423-001 | 8-6 | 2 | 510-021 | 2-33 | 7 | 770-099 |
| 1-2 | 13 | 358-012 | 4-3 | 2 | 423-001 | 1-17 | 7 | 510-023 | 9-3 | 12 | 774-011 |
| 1-9 | 7 | 358-012 | 4-4 | 13 | 423-001 | 2-17 | 9 | 510-023 | 2-33 | 12 | 774-011 |
| 2-10 | 4 | 358-012 | 6-1 | 6 | 423-001 | 2-15 | 2 | 510-025 | 2-33 | 23 | 774-017 |
| 4-3 | 4 | 358-014 | 8-2 | 6 | 423-001 | 4-2 | 6 | 510-035 | 9-3 | 10 | 774-023 |
| 4-4 | 14 | 358-014 | 9-1 | 8 | 423-001 | 4-5 | 5 | 510-035 | 2-33 | 10 | 774-023 |
| 1-17 | 2 | 358-014 | 2-14 | 7 | 423-001 | 2-20 | 9 | 510-035 | 9-3 | 11 | 774-025 |
| 8-2 | 18 | 358-016 | 1-4 | 5 | 434-001 | 2-21 | 16 | 510-035 | 2-33 | 11 | 774-025 |
| 9-1 | 12 | 358-016 | 1-5 | 14 | 434-001 | 2-15 | 12 | 510-045 | 2-11 | 9 | 791-009 |
| 2-14 | 9 | 358-016 | 1-6 | 10 | 434-001 | 2-15 | 8 | 514-006 | 2-12 | 9 | 791-009 |
| 1-7 | 4 | 358-020 | 8-4 | 3 | 434-001 | 2-3 | 4 | 533-006 | 9-1 | 37 | 1081-049 |
| 1-15 | 1 | 358-024 | 8-6 | 5 | 434-001 | 2-34 | 11 | 542-009 | 9-1 | 18 | 1088-057 |
| 3-1 | 13 | 358-026 | 9-1 | 24 | 434-001 | 4-4 | 18 | 549-012 | 4-2 | 4 | 1489-001 |
| 9-1 | 36 | 358-026 | 1-6 | 8 | 437-001 | 3-4 | 8 | 574-001 | 4-2 | 11 | 1500-005 |
| 8-2 | 1 | 358-032 | 4-4 | 9 | 445-001 | 7-2 | 5 | 577-001 | 1-8 | 5 | 1580-001 |
| 9-1 | 26 | 358-040 | 2-20 | 11 | 446-001 | 7-6 | 5 | 577-001 | 7-2 | 17 | 1580-003 |
| 8-2 | 8 | 358-054 | 2-21 | 17 | 446-001 | 1-4 | 16 | 578-011 | 2-3 | 8 | 1580-007 |
| 1-11 | 7 | 369-014 | 2-3 | 5 | 480-001 | 1-5 | 15 | 578-011 | 7-1 | 9 | 1580-007 |
| 1-12 | 7 | 369-014 | 2-9 | 4 | 480-003 | 1-9 | 10 | 586-001 | 7-2 | 13 | 1580-007 |
| 8-4 | 5 | 369-030 | 1-8 | 13 | 480-005 | 1-11 | 1 | 588-001 | 2-10 | 8 | 1580-007 |
| 8-4 | 2 | 369-034 | 2-4 | 3 | 480-005 | 1-12 | 1 | 588-001 | 3-5 | 8 | 1580-011 |
| 8-6 | 4 | 369-034 | 4-4 | 8 | 480-005 | 1-3 | 5 | 590-001 | 3-6 | 1 | 1580-013 |
| 1-6 | 11 | 369-040 | 9-2 | 5 | 480-005 | 1-7 | 22 | 596-001 | 1-9 | 8 | 1732-003 |
| 9-1 | 25 | 369-044 | 1-11 | 13 | 480-005 | 1-4 | 10 | 598-001 | 9-1 | 33 | 1732-003 |
| 3-1 | 2 | 373-005 | 4-4 | 20 | 480-007 | 1-5 | 9 | 598-001 | 4-3 | 3 | 1745-001 |
| 3-5 | 6 | 373-005 | 9-1 | 20 | 480-007 | 4-2 | 14 | 598-001 | 2-32 | 9 | 1768-013 |

(PAGE 2) D7/11 NAVIGATOR INDEX

| <u>FIG. NO.</u> | <u>PART NO.</u> | <u>FIG. NO.</u> | <u>PART NO.</u> | <u>FIG. NO.</u> | <u>PART NO.</u> | <u>FIG. NO.</u> | <u>PART NO.</u> | | | | |
|-----------------|-----------------|-----------------|-----------------|-----------------|-----------------|-----------------|-----------------|-----------|------|----|-----------|
| 1-9 | 24 | 1769-005 | 2-20 | 14 | 3147-035 | 3-9 | 7 | 4536-001 | 2-14 | 6 | 53840-001 |
| 2-13 | 14 | 1769-005 | 2-21 | 14 | 3147-035 | 4-3 | 11 | 4536-001 | 1-15 | 4 | 53841-001 |
| 1-9 | 24 | 1771-001 | 2-22 | | 3147-035 | 6-1 | 7 | 4536-001 | 2-5 | 14 | 53842-355 |
| 2-13 | 14 | 1771-001 | 2-22 | | 3147-037 | 7-1 | 7 | 4536-001 | 2-6 | 8 | 53842-355 |
| 1-9 | 24 | 1774-001 | 2-21 | 9 | 3147-039 | 7-2 | 3 | 4536-001 | 2-3 | 16 | 53842-481 |
| 2-13 | 14 | 1774-001 | 2-22 | 2 | 3147-041 | 1-14 | 5 | 4536-001 | 2-9 | 3 | 53842-481 |
| 1-9 | 24 | 1781-030 | 2-22 | 8 | 3147-043 | 1-19 | 3 | 4536-001 | 2-6 | 9 | 53842-483 |
| 2-13 | 14 | 1781-030 | 2-20 | 4 | 3147-077 | 2-18 | 3 | 4536-001 | 2-8 | 7 | 53842-483 |
| 4-3 | 5 | 1789-009 | 2-21 | 4 | 3147-077 | 4-3 | 16 | 4542-005 | 2-6 | 7 | 53842-485 |
| 1-15 | 3 | 1789-027 | 2-20 | 5 | 3147-081 | 8-8 | 9 | 4883-001 | 2-8 | 6 | 53842-485 |
| 9-1 | 38 | 1794-003 | 2-21 | 12 | 3147-081 | 2-36 | 4 | 5460-001 | 2-6 | 15 | 53842-487 |
| 1-16 | 7 | 1794-003 | 2-23 | 1 | 3149-005 | 2-6 | 18 | 5553-001 | 2-10 | 1 | 53842-487 |
| 1-17 | 12 | 1794-003 | 2-23 | 3 | 3149-013 | 1-7 | 3 | 5832-001 | 2-4 | 9 | 53842-489 |
| 4-1 | 2 | 1802-010 | 2-21 | 13 | 3175-003 | 2-20 | 15 | 6149-005 | 2-9 | 8 | 53842-489 |
| 9-1 | 30 | 1803-015 | 2-26 | | 3175-003 | 2-21 | 8 | 6149-005 | 2-6 | 12 | 53842-491 |
| 1-7 | 9 | 1803-023 | 2-26 | | 3175-005 | 2-23 | | 6149-005 | 2-9 | 7 | 53842-491 |
| 1-7 | 7 | 1809-001 | 2-26 | 10 | 3175-013 | 2-23 | 4 | 6149-043 | 2-5 | 11 | 53842-493 |
| 2-3 | 12 | 1809-001 | 2-26 | 6 | 3175-021 | 2-23 | 2 | 6149-057 | 2-13 | 4 | 53842-493 |
| 1-16 | 5 | 1809-001 | 2-26 | 8 | 3175-023 | 2-21 | 15 | 6149-059 | 9-1 | 4 | 53843-099 |
| 1-17 | 4 | 1809-001 | 1-9 | 4 | 3967-001 | 2-34 | 6 | 6284-003 | 2-4 | 12 | 53843-231 |
| 2-13 | 9 | 1809-001 | 4-4 | 7 | 4153-001 | 1-4 | 1 | 10816-001 | 2-16 | 5 | 53843-231 |
| 4-4 | 6 | 1809-005 | 3-1 | 18 | 4225-001 | 2-20 | 2 | 10867-003 | 2-3 | 25 | 53843-241 |
| 2-5 | 3 | 1809-007 | 3-9 | 8 | 4225-001 | 2-24 | | 10867-003 | 2-14 | 13 | 53843-241 |
| 3-6 | 7 | 1809-007 | 2-3 | 13 | 4235-001 | 2-24 | | 10867-005 | 2-5 | 8 | 53843-363 |
| 4-4 | 5 | 1809-007 | 4-2 | 7 | 4333-003 | 2-24 | 4 | 10867-009 | 8-6 | 14 | 53843-363 |
| 1-18 | 1 | 1809-007 | 4-5 | 6 | 4333-003 | 8-2 | 11 | 11829-001 | 2-5 | 9 | 53843-573 |
| 2-14 | 1 | 1809-007 | 2-20 | 7 | 4333-003 | 3-1 | 16 | 13625-001 | 8-6 | 13 | 53843-573 |
| 9-1 | 34 | 1830-005 | 2-21 | 6 | 4333-003 | 2-20 | 12 | 14173-003 | 2-5 | 10 | 53843-589 |
| 1-16 | 8 | 1830-005 | 4-2 | 8 | 4333-005 | 2-21 | 18 | 14173-003 | 8-3 | 7 | 53843-589 |
| 1-2 | 2 | 1835-027 | 4-5 | 4 | 4333-005 | 4-2 | 13 | 14881-001 | 8-3 | 5 | 53843-595 |
| 1-3 | 4 | 1835-027 | 2-20 | 8 | 4333-005 | 2-25 | | 15844-007 | 8-4 | 8 | 53843-595 |
| 1-4 | 6 | 1835-027 | 2-21 | 7 | 4333-005 | 2-25 | 4 | 15844-009 | 8-3 | 6 | 53843-597 |
| 1-5 | 5 | 1835-027 | 2-36 | 10 | 4433-001 | 8-8 | 2 | 16138-031 | 8-4 | 9 | 53843-597 |
| 1-7 | 5 | 1835-029 | 1-14 | 3 | 4473-004 | 1-8 | 10 | 16380-020 | 8-3 | 4 | 53843-647 |
| 9-1 | 35 | 1838-001 | 3-5 | 7 | 4473-006 | 3-4 | 7 | 17393-001 | 8-5 | 3 | 53843-647 |
| 1-16 | 8 | 1838-001 | 4-4 | 3 | 4473-006 | 3-6 | 5 | 17393-001 | 7-2 | 23 | 53844-169 |
| 1-14 | 10 | 1864-001 | 1-18 | 6 | 4473-006 | 3-8 | 6 | 17393-001 | 1-9 | 29 | 53844-381 |
| 1-3 | 9 | 1865-001 | 1-8 | 3 | 4474-006 | 3-1 | 20 | 18064-001 | 7-2 | 29 | 53844-381 |
| 7-1 | 8 | 2107-007 | 3-1 | 5 | 4474-006 | 8-10 | 9 | 19876-045 | 2-5 | 12 | 53844-651 |
| 4-2 | 9 | 2110-003 | 3-6 | 8 | 4474-006 | 3-1 | 15 | 20779-001 | 2-7 | 5 | 53844-651 |
| 4-5 | 8 | 2110-003 | 3-7 | 4 | 4474-006 | 2-36 | 12 | 24753-001 | 2-5 | 13 | 53844-653 |
| 2-20 | 13 | 2110-003 | 4-4 | 4 | 4474-006 | 2-36 | 11 | 24754-001 | 2-7 | 6 | 53844-653 |
| 2-21 | 10 | 2110-003 | 8-2 | 25 | 4474-006 | 3-7 | 3 | 25245-001 | 2-6 | 14 | 53844-655 |
| 1-1 | 27 | 2326-142 | 1-18 | 3 | 4474-006 | 4-1 | 15 | 26452-001 | 2-18 | 13 | 53844-655 |
| 8-4 | 10 | 2326-142 | 1-2 | 10 | 4475-006 | 4-1 | 16 | 26453-001 | 2-7 | 7 | 53844-657 |
| 1-1 | 24 | 2326-315 | 1-6 | 13 | 4475-006 | 2-35 | 3 | 51167-001 | 2-15 | 7 | 53844-657 |
| 3-5 | 14 | 2326-315 | 1-7 | 15 | 4475-006 | 8-10 | 8 | 51172-001 | 2-8 | 9 | 53844-659 |
| 1-1 | 5 | 2326-324 | 1-9 | 22 | 4475-006 | 2-35 | 4 | 51175-001 | 2-14 | 19 | 53844-659 |
| 1-8 | 8 | 2326-324 | 3-8 | 1 | 4475-006 | 8-9 | 3 | 51181-001 | 2-6 | 5 | 53844-661 |
| 1-16 | 10 | 2326-619 | 6-1 | 9 | 4475-006 | 8-8 | 3 | 51276-001 | 2-14 | 5 | 53844-661 |
| 1-1 | 7 | 2326-621 | 7-1 | 6 | 4475-006 | 8-8 | 4 | 51277-001 | 2-7 | 8 | 53844-663 |
| 1-1 | 25 | 2326-920 | 7-2 | 32 | 4475-006 | 2-36 | 3 | 52704-001 | 2-15 | 5 | 53844-663 |
| 3-7 | 6 | 2326-920 | 2-13 | 12 | 4475-006 | 2-36 | 9 | 52705-001 | 2-4 | 7 | 53845-549 |
| 1-1 | 19 | 2326-940 | 1-3 | 3 | 4475-010 | 3-6 | 11 | 53631-001 | 2-18 | 11 | 53845-549 |
| 4-1 | 20 | 2326-940 | 1-4 | 3 | 4475-010 | 2-4 | 10 | 53657-001 | 2-19 | 4 | 53845-549 |
| 1-8 | 19 | 2595-001 | 7-2 | 1 | 4475-010 | 2-5 | 4 | 53657-001 | 2-5 | 15 | 53845-803 |
| 2-19 | 2 | 2683-001 | 1-14 | 8 | 4475-010 | 8-3 | 1 | 53657-001 | 2-18 | 10 | 53845-803 |
| 2-27 | | 2694-003 | 1-19 | 1 | 4475-010 | 1-9 | 26 | 53824-001 | 2-3 | 15 | 53854-001 |
| 2-27 | 2 | 2694-005 | 1-5 | 2 | 4475-014 | 2-5 | 5 | 53824-001 | 2-4 | 8 | 53854-001 |
| 2-27 | 5 | 2694-007 | 9-3 | 22 | 4485-019 | 2-7 | 4 | 53824-001 | 2-18 | 5 | 53871-001 |
| 2-27 | 7 | 2694-011 | 2-33 | 22 | 4485-019 | 7-2 | 21 | 53824-001 | 2-15 | 1 | 54198-001 |
| 2-27 | 1 | 2694-013 | 9-3 | 22 | 4485-021 | 2-14 | 4 | 53826-001 | 9-2 | 13 | 54385-001 |
| 2-28 | 1 | 2696-003 | 2-33 | 22 | 4485-021 | 2-6 | 11 | 53827-001 | 1-17 | 6 | 55617-001 |
| 2-28 | 2 | 2696-005 | 9-3 | 21 | 4485-023 | 2-9 | 6 | 53827-001 | 2-17 | 8 | 55617-001 |
| 1-3 | 2 | 3035-001 | 2-33 | 21 | 4485-023 | 2-6 | 10 | 53829-001 | 2-36 | 2 | 56091-001 |
| 2-22 | 1 | 3128-009 | 1-2 | 7 | 4536-001 | 2-8 | 5 | 53829-001 | 2-36 | | 56687-001 |
| 2-25 | | 3147-011 | 1-7 | 13 | 4536-001 | 2-9 | 2 | 53829-001 | 2-13 | 3 | 56725-001 |
| 2-25 | 12 | 3147-027 | 2-6 | 1 | 4536-001 | 7-2 | 27 | 53834-001 | 6-1 | 4 | 57867-012 |
| 2-20 | 6 | 3147-029 | 2-7 | 3 | 4536-001 | 7-2 | 28 | 53837-001 | 1-6 | 2 | 57904-001 |
| 2-21 | 5 | 3147-029 | 3-8 | 3 | 4536-001 | 2-13 | 10 | 53840-001 | 2-4 | 13 | 57940-027 |

| <u>FIG. NO.</u> | <u>PART NO.</u> | <u>FIG. NO.</u> | <u>PART NO.</u> | <u>FIG. NO.</u> | <u>PART NO.</u> | <u>FIG. NO.</u> | <u>PART NO.</u> | | | | |
|-----------------|-----------------|-----------------|-----------------|-----------------|-----------------|-----------------|-----------------|------------|------|----|------------|
| 2-17 | 3 | 57940-027 | 9-2 | 19 | 700IA-306 | 8-4 | 6 | 82931-001 | 8-10 | 6 | 200831-001 |
| 2-4 | 14 | 57940-261 | 1-1 | 30 | 700IA-323 | 2-3 | 26 | 83726-001 | 8-10 | 10 | 200832-001 |
| 2-12 | 6 | 57940-261 | 9-2 | 20 | 700IA-323 | 8-3 | 10 | 83726-001 | 8-9 | 1 | 200833-001 |
| 2-4 | 15 | 57940-465 | 1-1 | 31 | 700IA-324 | 2-14 | 14 | 83726-001 | 8-10 | 11 | 200833-001 |
| 2-11 | 6 | 57940-465 | 9-2 | 21 | 700IA-324 | 8-3 | 12 | 86092-001 | 8-10 | 7 | 200834-001 |
| 7-3 | 4 | 57940-667 | 9-2 | 18 | 7000A-008 | 8-7 | | 86092-001 | 2-35 | 5 | 200841-001 |
| 2-3 | 24 | 57950-001 | 1-1 | 12 | 7000A-010 | 8-7 | 1 | 86092-003 | 8-9 | 4 | 200914-001 |
| 8-4 | 7 | 57950-001 | 2-3 | 20 | 7000A-010 | 8-7 | 2 | 86092-005 | 8-8 | 11 | 200943-001 |
| 2-3 | 14 | 57967-001 | 1-1 | 15 | 7000A-012 | 3-1 | 1 | 86113-001 | 8-8 | 7 | 200944-001 |
| 9-1 | 6 | 57967-001 | 2-8 | 2 | 7000A-012 | 3-9 | 13 | 86113-001 | 9-4 | 9 | 202720-001 |
| 8-5 | 2 | 57968-001 | 1-1 | 11 | 7000A-014 | 4-5 | 17 | 86319-001 | 9-4 | 4 | 202726-001 |
| 9-1 | 5 | 57968-001 | 2-3 | 19 | 7000A-014 | 2-25 | 10 | 86323-005 | 9-4 | 3 | 202727-001 |
| 2-36 | 8 | 58137-001 | 1-1 | 2 | 7000A-034 | 4-5 | 18 | 86580-001 | 9-1 | 10 | 203721-001 |
| 2-6 | 4 | 59404-001 | 1-7 | 19 | 7000A-034 | 2-6 | 16 | 86670-001 | 4-2 | 5 | 204747-009 |
| 2-6 | 13 | 59407-001 | 4-5 | 19 | 7000A-034 | 9-2 | 7 | 86671-001 | 8-10 | 4 | 205002-001 |
| 2-19 | 3 | 59409-001 | 1-1 | 4 | 7000A-035 | 2-11 | 2 | 86881-001 | 2-35 | 7 | 205003-001 |
| 2-18 | 12 | 59421-001 | 1-7 | 21 | 7000A-035 | 2-12 | 2 | 86881-001 | 2-34 | 2 | 205008-001 |
| 2-14 | 2 | 59423-001 | 1-1 | 20 | 7000A-036 | 2-5 | 7 | 88659-001 | 2-35 | 2 | 206843-013 |
| 2-11 | 5 | 59425-001 | 4-2 | 3 | 7000A-036 | 2-10 | 2 | 88659-001 | 6-2 | 14 | 208065-001 |
| 2-12 | 5 | 59425-001 | 1-1 | 18 | 7000A-061 | 2-32 | | 88759-003 | 4-5 | 11 | 208696-001 |
| 9-2 | 17 | 59634-001 | 4-1 | 19 | 7000A-061 | 2-32 | 4 | 88759-009 | 6-3 | 6 | 210780-001 |
| 2-8 | 8 | 59648-001 | 1-1 | 17 | 7000A-062 | 2-32 | 2 | 88759-021 | 6-3 | 6 | 210780-003 |
| 2-4 | 11 | 60247-001 | 4-1 | 18 | 7000A-062 | 2-32 | 14 | 88759-025 | 6-3 | 6 | 210780-005 |
| 2-15 | 4 | 60247-001 | 1-1 | 21 | 7000A-087 | 2-32 | 19 | 88759-033 | 6-3 | 6 | 210780-007 |
| 2-20 | 1 | 60502-001 | 4-4 | 10 | 7000A-087 | 2-32 | 18 | 88759-035 | 6-3 | 6 | 210780-009 |
| 8-8 | 6 | 60529-001 | 1-1 | 23 | 7000A-405 | 2-32 | 12 | 88759-041 | 6-3 | 6 | 210780-011 |
| 8-8 | 5 | 60530-001 | 3-1 | 36 | 7000A-405 | 2-20 | 3 | 89275-009 | 6-3 | 6 | 210780-013 |
| 8-8 | 8 | 60531-001 | 1-1 | 26 | 70000-044 | 2-21 | 3 | 89275-009 | 6-3 | 4 | 210781-001 |
| 8-8 | 10 | 60695-001 | 3-9 | 14 | 70000-044 | 2-30 | 2 | 90050-005 | 6-3 | 3 | 210782-001 |
| 2-4 | 6 | 60718-001 | 1-1 | 6 | 70000-098 | 2-30 | 3 | 90050-005 | 6-3 | 3 | 210782-003 |
| 8-6 | 10 | 60722-001 | 1-8 | 9 | 70000-098 | 2-30 | 1 | 90050-007 | 6-3 | 3 | 210782-005 |
| 2-16 | 4 | 60722-001 | 1-1 | 8 | 70000-294 | 2-32 | 10 | 93297-005 | 6-3 | 3 | 210782-007 |
| 7-2 | 26 | 60922-001 | 1-18 | 7 | 70000-294 | 2-32 | 9 | 93297-007 | 6-3 | 3 | 210782-009 |
| 2-11 | 4 | 60930-001 | 1-1 | 9 | 70000-394 | 2-32 | 8 | 93297-009 | 6-3 | 4 | 210783-001 |
| 2-12 | 4 | 60930-001 | 2-3 | 17 | 70000-394 | 2-32 | 5 | 93297-013 | 6-3 | 4 | 210783-003 |
| 1-13 | 3 | 62525-001 | 1-1 | 22 | 70000-530 | 2-32 | 3 | 93297-017 | 6-3 | 4 | 210783-005 |
| 4-4 | 12 | 63471-001 | 6-3 | 2 | 70000-530 | 4-5 | 7 | 93641-001 | 6-3 | 4 | 210783-007 |
| 8-2 | 12 | 63471-001 | 1-1 | 13 | 70000-774 | 9-1 | 3 | 93707-001 | 6-3 | 4 | 210783-009 |
| 3-7 | 1 | 63948-001 | 2-3 | 21 | 70000-774 | 4-3 | 6 | 93831-001 | 6-3 | 5 | 210784-001 |
| 3-7 | 1 | 63949-001 | 3-1 | 30 | 70000-774 | 7-2 | 20 | 94112-001 | 6-3 | 4 | 210785-001 |
| 4-1 | 17 | 64075-001 | 1-1 | 14 | 70000-785 | 8-7 | 3 | 94597-001 | 1-6 | 12 | 211177-001 |
| 2-17 | 2 | 65565-001 | 2-3 | 23 | 70000-785 | 2-18 | 9 | 96075-001 | 1-6 | 5 | 211180-001 |
| 2-7 | 9 | 66094-001 | 3-1 | 29 | 70000-785 | 1-15 | 8 | 96716-001 | 1-6 | 9 | 211184-001 |
| 8-3 | 8 | 66094-001 | 1-1 | 1 | 70000-834 | 2-16 | 8 | 96716-001 | 1-6 | 7 | 211187-001 |
| 8-3 | 9 | 66094-001 | 1-3 | 8 | 70000-834 | 2-14 | 12 | 96716-003 | 1-4 | 11 | 211190-001 |
| 8-4 | 11 | 66094-001 | 1-1 | 10 | 70000-958 | 1-15 | 7 | 96716-005 | 1-6 | 4 | 211193-001 |
| 8-6 | 9 | 66094-001 | 2-3 | 18 | 70000-958 | 3-1 | 7 | 97456-001 | 1-6 | 3 | 211194-001 |
| 2-11 | 10 | 66094-001 | 3-1 | 38 | 70000-958 | 2-20 | 21 | 98108-011 | 2-16 | 2 | 211232-001 |
| 2-12 | 10 | 66094-001 | 1-1 | 32 | 70000-961 | 2-21 | 24 | 98108-011 | 2-8 | 3 | 211720-001 |
| 2-16 | 9 | 66094-001 | 3-1 | 37 | 70000-961 | 9-2 | 11 | 100850-001 | 2-27 | | 211720-001 |
| 2-17 | 11 | 66094-001 | 1-1 | 16 | 70000-962 | 3-1 | 32 | 101522-001 | 5-1 | 5 | 213389-005 |
| 7-2 | 16 | 66320-001 | 4-1 | 12 | 70000-962 | 2-21 | 1 | 102975-001 | 5-1 | 6 | 213389-005 |
| 8-8 | | 67129-001 | 1-1 | 3 | 70000-963 | 2-37 | 15 | 104012-005 | 5-2 | 6 | 213389-005 |
| 2-34 | 17 | 67263-001 | 1-7 | 20 | 70000-963 | 9-2 | 10 | 104156-001 | 5-1 | 5 | 213389-007 |
| 4-5 | 12 | 67292-001 | 9-3 | 6 | 70020-007 | 3-1 | 31 | 110479-001 | 5-2 | 5 | 213389-007 |
| 7-2 | 18 | 67355-055 | 1-9 | 3 | 70096-001 | 1-16 | 12 | 113551-006 | 5-1 | 4 | 213389-009 |
| 2-18 | 7 | 67552-001 | 1-10 | 9 | 70096-001 | 9-2 | 8 | 117443-001 | 5-2 | 4 | 213389-009 |
| 1-8 | 12 | 67846-003 | 2-6 | 17 | 72056-001 | 8-6 | 8 | 119170-001 | 5-1 | 1 | 213389-011 |
| 6-2 | 10 | 67846-003 | 1-10 | 3 | 72897-001 | 3-1 | 17 | 119511-001 | 5-2 | 1 | 213389-011 |
| 2-14 | 11 | 67846-003 | 1-10 | 2 | 75381-012 | 3-6 | 4 | 119512-001 | 5-1 | 2 | 213389-013 |
| 2-17 | 6 | 67846-003 | 2-15 | 14 | 75386-001 | 3-8 | 5 | 119512-001 | 5-2 | 2 | 213389-013 |
| 2-5 | 6 | 67850-001 | 2-15 | 6 | 77811-001 | 3-4 | 7 | 119513-001 | 5-1 | 3 | 213389-019 |
| 4-4 | 15 | 67892-001 | 1-8 | 4 | 79412-001 | 3-4 | 3 | 119874-001 | 5-2 | 3 | 213389-019 |
| 2-36 | 1 | 68540-001 | 2-34 | 5 | 79530-005 | 9-2 | 12 | 120836-001 | 5-2 | 5 | 213390-005 |
| 2-36 | 6 | 68544-001 | 2-34 | 4 | 79530-009 | 2-13 | 2 | 127718-012 | 1-4 | 8 | 213553-001 |
| 2-17 | 4 | 69129-001 | 2-20 | 10 | 79704-001 | 7-2 | 22 | 130449-001 | 1-5 | 7 | 213553-001 |
| 4-3 | 8 | 69757-001 | 2-21 | 11 | 79704-001 | 2-6 | 6 | 130450-001 | 1-4 | 7 | 213558-003 |
| 1-1 | 29 | 700IA-305 | 2-23 | 5 | 79704-001 | 2-10 | 7 | 130451-001 | 1-4 | 9 | 213584-003 |
| 9-2 | 15 | 700IA-305 | 2-3 | 10 | 81214-001 | 2-35 | 1 | 200769-001 | 1-5 | 8 | 213584-003 |
| 1-1 | 28 | 700IA-306 | 2-3 | 3 | 81590-001 | 8-10 | 3 | 200773-001 | 1-4 | 2 | 213634-001 |

(PAGE 4) D7/11 NAVIGATOR INDEX

| <u>FIG. NO.</u> | <u>PART NO.</u> | <u>FIG. NO.</u> | <u>PART NO.</u> | <u>FIG. NO.</u> | <u>PART NO.</u> | <u>FIG. NO.</u> | <u>PART NO.</u> | | | | |
|-----------------|-----------------|-----------------|-----------------|-----------------|-----------------|-----------------|-----------------|------------|------|------------|------------|
| 8-2 | 17 | 213670-003 | 1-12 | 5 | 215724-001 | 7-7 | 218416-001 | 8-5 | 1 | 219107-001 | |
| 1-4 | 12 | 213704-001 | 1-12 | 4 | 215736-001 | 7-7 | 1 | 218416-003 | 8-9 | 219107-001 | |
| 1-6 | 10 | 213704-001 | 2-16 | 3 | 215768-001 | 7-7 | 2 | 218416-005 | 8-9 | 10 | 219107-003 |
| 5-1 | | 213788-001 | 2-36 | | 215768-001 | 7-7 | 3 | 218416-007 | 8-9 | 11 | 219107-005 |
| 2-11 | 1 | 213890-001 | 2-34 | 15 | 215890-009 | 7-7 | 4 | 218416-009 | 8-9 | 12 | 219107-007 |
| 2-12 | 1 | 213890-001 | 4-1 | 7 | 215914-001 | 7-7 | 5 | 218416-011 | 8-9 | 6 | 219107-009 |
| 2-32 | | 213890-001 | 5-3 | | 215938-001 | 7-7 | 6 | 218416-013 | 8-9 | 7 | 219107-011 |
| 1-4 | 13 | 213890-003 | 5-3 | | 215939-001 | 7-7 | 7 | 218416-015 | 8-9 | 9 | 219107-013 |
| 1-5 | 11 | 213890-003 | 5-3 | | 215940-001 | 7-7 | 8 | 218416-017 | 8-9 | | 219107-015 |
| 2-32 | 15 | 213890-003 | 5-3 | 6 | 215941-001 | 7-7 | 9 | 218416-019 | 1-8 | 2 | 219109-001 |
| 1-4 | 15 | 213890-005 | 5-3 | 3 | 215942-001 | 7-7 | 10 | 218416-021 | 7-1 | 1 | 219110-001 |
| 1-5 | 13 | 213890-005 | 5-3 | 1 | 215943-001 | 7-7 | 11 | 218416-023 | 7-1 | 1 | 219110-005 |
| 2-32 | 17 | 213890-005 | 2-15 | 11 | 215990-001 | 7-7 | 12 | 218416-025 | 7-1 | 1 | 219110-007 |
| 2-32 | 1 | 213890-007 | 4-1 | 9 | 215991-001 | 7-7 | 13 | 218416-027 | 9-4 | 6 | 219111-009 |
| 2-32 | 6 | 213890-009 | 4-1 | 9 | 215992-001 | 7-7 | 14 | 218416-029 | 9-4 | 7 | 219111-011 |
| 2-32 | 7 | 213890-011 | 4-1 | 11 | 215992-001 | 7-7 | 15 | 218416-031 | 7-2 | 15 | 219115-001 |
| 2-32 | 11 | 213890-013 | 4-1 | 9 | 215993-001 | 7-6 | 2 | 218416-033 | 7-2 | 10 | 219116-001 |
| 2-32 | 13 | 213890-015 | 4-1 | 11 | 215993-001 | 7-6 | 3 | 218416-035 | 2-14 | 3 | 219117-001 |
| 2-32 | 20 | 213890-017 | 4-1 | 9 | 215994-001 | 7-6 | 6 | 218416-037 | 2-34 | | 219117-001 |
| 5-3 | 9 | 213900-003 | 4-1 | 10 | 215995-001 | 7-6 | 7 | 218416-039 | 1-8 | 1 | 219119-001 |
| 5-3 | 10 | 213900-007 | 4-1 | 10 | 215995-001 | 7-6 | 8 | 218416-041 | 2-5 | 2 | 219120-001 |
| 5-3 | 12 | 213900-009 | 4-1 | 10 | 215996-001 | 7-6 | 9 | 218416-043 | 2-20 | | 219120-001 |
| 5-3 | 8 | 213900-013 | 4-1 | 10 | 215996-001 | 7-6 | 10 | 218416-045 | 2-20 | 16 | 219120-003 |
| 5-3 | 11 | 213900-015 | 4-1 | 10 | 215997-001 | 7-6 | 11 | 218416-047 | 2-20 | 17 | 219120-005 |
| 5-3 | 13 | 213900-019 | 4-1 | 10 | 215998-001 | 7-6 | 12 | 218416-049 | 2-20 | 18 | 219120-007 |
| 5-3 | 2 | 213900-021 | 4-5 | 15 | 216293-001 | 7-6 | 13 | 218416-051 | 2-20 | 19 | 219120-009 |
| 5-3 | 4 | 213900-023 | 4-5 | 16 | 216295-001 | 7-6 | 14 | 218416-053 | 2-20 | 20 | 219120-011 |
| 5-3 | 1 | 213900-025 | 1-10 | 1 | 216453-001 | 7-6 | 15 | 218416-055 | 2-21 | 23 | 219120-011 |
| 5-3 | 5 | 213902-005 | 1-10 | 6 | 216460-001 | 7-6 | 16 | 218416-057 | 1-9 | 12 | 219122-001 |
| 5-3 | 6 | 213902-011 | 8-2 | 5 | 216485-001 | 7-6 | 17 | 218416-059 | 1-9 | 23 | 219122-001 |
| 9-4 | 1 | 215170-003 | 1-3 | 7 | 216573-001 | 7-6 | 18 | 218416-061 | 2-15 | 10 | 219122-001 |
| 9-4 | 8 | 215170-011 | 1-3 | 7 | 216573-002 | 7-6 | 19 | 218416-063 | 2-15 | 13 | 219122-001 |
| 1-6 | 6 | 215468-001 | 2-35 | 9 | 216773-009 | 7-6 | 20 | 218416-065 | 1-9 | 12 | 219122-147 |
| 2-11 | 7 | 215479-001 | 4-5 | 1 | 216780-001 | 7-6 | 21 | 218416-067 | 2-15 | 13 | 219122-147 |
| 2-12 | 7 | 215479-001 | 4-6 | | 216780-001 | 7-6 | 22 | 218416-069 | 1-9 | 23 | 219122-223 |
| 2-11 | 8 | 215525-001 | 4-6 | 4 | 216780-003 | 7-6 | 23 | 218416-071 | 2-15 | 10 | 219122-223 |
| 2-12 | 8 | 215525-001 | 4-6 | 3 | 216780-005 | 7-6 | 24 | 218416-073 | 1-5 | 1 | 219123-001 |
| 8-2 | 4 | 215583-001 | 4-6 | 2 | 216780-007 | 7-6 | 25 | 218416-075 | 7-2 | 19 | 219124-001 |
| 2-15 | 3 | 215657-001 | 4-6 | 1 | 216780-009 | 7-6 | 26 | 218416-077 | 7-5 | | 219124-001 |
| 2-37 | | 215657-001 | 5-3 | 14 | 216871-001 | 7-6 | 27 | 218416-079 | 7-5 | 1 | 219124-003 |
| 2-37 | 1 | 215657-003 | 2-17 | 1 | 217178-001 | 7-6 | 28 | 218416-081 | 7-5 | 2 | 219124-005 |
| 2-37 | 2 | 215657-005 | 2-35 | | 217178-001 | 7-6 | 31 | 218416-083 | 7-5 | 3 | 219124-007 |
| 2-37 | 3 | 215657-007 | 2-35 | 12 | 217178-003 | 7-6 | 32 | 218416-085 | 7-5 | 4 | 219124-009 |
| 2-37 | 4 | 215657-009 | 2-35 | 13 | 217178-005 | 7-6 | 33 | 218416-087 | 7-5 | 5 | 219124-011 |
| 2-37 | 5 | 215657-011 | 2-35 | 11 | 217178-007 | 4-1 | 5 | 218420-007 | 7-5 | 6 | 219124-013 |
| 2-37 | 6 | 215657-013 | 2-35 | | 217178-009 | 3-2 | 3 | 218420-015 | 7-5 | 7 | 219124-015 |
| 2-37 | 7 | 215657-015 | 1-9 | 14 | 217205-001 | 3-2 | 5 | 218420-017 | 7-5 | 8 | 219124-017 |
| 2-37 | 8 | 215657-017 | 4-1 | 4 | 217231-001 | 3-2 | 4 | 218420-019 | 7-5 | | 219124-019 |
| 2-37 | 9 | 215657-019 | 1-11 | 3 | 217234-001 | 3-2 | 12 | 218420-037 | 1-3 | 11 | 219136-001 |
| 2-37 | 10 | 215657-021 | 1-12 | 3 | 217234-001 | 3-2 | 13 | 218420-039 | 4-1 | 1 | 219137-001 |
| 2-37 | 11 | 215657-023 | 2-35 | 8 | 217237-007 | 3-3 | 4 | 218420-055 | 4-3 | 7 | 219154-001 |
| 2-37 | 12 | 215657-025 | 2-15 | 9 | 217249-001 | 3-5 | 10 | 218420-071 | 2-34 | 1 | 219177-003 |
| 2-37 | 13 | 215657-027 | 1-18 | 2 | 217389-001 | 1-8 | 18 | 218420-073 | 2-34 | 10 | 219177-005 |
| 2-37 | 14 | 215657-029 | 1-9 | 13 | 217762-001 | 1-8 | 18 | 218420-077 | 2-34 | 12 | 219177-007 |
| 2-37 | | 215657-031 | 1-5 | 6 | 217825-001 | 4-1 | 5 | 218420-079 | 2-34 | 13 | 219177-009 |
| 1-2 | 14 | 215664-001 | 1-6 | 4 | 217827-001 | 1-9 | 25 | 218474-001 | 2-34 | 14 | 219177-011 |
| 1-13 | 4 | 215670-001 | 4-3 | 1 | 217885-001 | 7-2 | 33 | 218474-001 | 2-34 | 17 | 219177-013 |
| 1-11 | 4 | 215671-001 | 1-15 | 5 | 217895-001 | 5-1 | | 218477-001 | 2-34 | | 219177-015 |
| 1-13 | 5 | 215675-001 | 1-5 | 4 | 217927-001 | 4-1 | 8 | 218810-001 | 1-14 | 1 | 219186-001 |
| 1-13 | 1 | 215676-001 | 3-1 | 11 | 217930-001 | 2-30 | 2 | 219024-003 | 1-14 | 2 | 219186-003 |
| 1-17 | 1 | 215684-001 | 4-4 | 1 | 217956-001 | 2-30 | 3 | 219024-005 | 4-1 | 8 | 219212-001 |
| 1-17 | 5 | 215685-001 | 6-2 | 1 | 217967-001 | 3-4 | | 219053-001 | 4-1 | 8 | 219236-001 |
| 1-3 | 10 | 215689-001 | 4-1 | 11 | 217971-001 | 3-4 | 1 | 219053-003 | 3-3 | 7 | 219249-001 |
| 1-9 | 1 | 215694-001 | 1-9 | 27 | 218253-001 | 3-4 | 2 | 219053-005 | 3-1 | 35 | 219258-001 |
| 8-2 | 13 | 215701-001 | 2-13 | 15 | 218253-001 | 3-4 | 5 | 219053-007 | 1-3 | 6 | 219281-001 |
| 1-9 | 16 | 215703-001 | 2-33 | 6 | 218253-001 | 3-4 | 6 | 219053-009 | 1-5 | 3 | 219284-001 |
| 2-13 | 8 | 215704-001 | 5-1 | 2 | 218322-001 | 3-4 | 6 | 219053-011 | 4-2 | 2 | 219292-001 |
| 1-9 | 28 | 215707-001 | 5-2 | 2 | 218322-001 | 3-1 | 10 | 219104-001 | 4-5 | 3 | 219301-001 |
| 1-9 | 15 | 215715-001 | 7-2 | 4 | 218416-001 | 7-1 | 2 | 219105-001 | 1-2 | 8 | 219320-001 |
| 1-11 | 5 | 215724-001 | 7-6 | | 218416-001 | 4-1 | 3 | 219106-001 | 7-2 | 2 | 219329-001 |

| <u>FIG. NO.</u> | <u>PART NO.</u> | <u>FIG. NO.</u> | <u>PART NO.</u> | <u>FIG. NO.</u> | <u>PART NO.</u> | <u>FIG. NO.</u> | <u>PART NO.</u> | | | | |
|-----------------|-----------------|-----------------|-----------------|-----------------|-----------------|-----------------|-----------------|------------|------|----|------------|
| 7-2 | 8 | 219338-003 | 3-6 | 10 | 224285-001 | 3-2 | 6 | 227241-009 | 3-1 | 25 | 229331-001 |
| 7-1 | 4 | 219339-001 | 3-10 | | 224285-001 | 3-2 | 6 | 227241-011 | 3-1 | 27 | 229336-001 |
| 4-2 | 10 | 219344-001 | 3-10 | 1 | 224285-003 | 3-2 | 7 | 227241-013 | 1-16 | 1 | 229337-001 |
| 4-5 | 13 | 219362-001 | 3-10 | 2 | 224285-005 | 3-2 | 8 | 227241-015 | 3-7 | 2 | 229338-001 |
| 1-2 | 9 | 219380-001 | 3-10 | 3 | 224285-007 | 3-2 | 8 | 227241-017 | 2-18 | 2 | 229339-001 |
| 1-7 | 16 | 219380-001 | 3-10 | 4 | 224285-009 | 3-2 | 9 | 227241-019 | 8-2 | 23 | 229343-001 |
| 4-3 | 14 | 219380-001 | 3-10 | 5 | 224285-011 | 3-2 | 11 | 227241-021 | 8-2 | 24 | 229348-001 |
| 2-3 | 22 | 219381-001 | 3-6 | 9 | 224286-001 | 3-3 | 1 | 227241-023 | 3-2 | 10 | 229363-001 |
| 4-5 | 10 | 219384-001 | 7-2 | 6 | 224565-001 | 3-3 | 1 | 227241-025 | 3-9 | 6 | 229364-001 |
| 1-4 | 4 | 219397-001 | 9-1 | 32 | 224579-001 | 3-3 | 2 | 227241-027 | 3-9 | 4 | 229365-001 |
| 1-17 | 9 | 219399-001 | 9-1 | 17 | 224589-001 | 3-3 | 2 | 227241-029 | 3-9 | 5 | 229373-001 |
| 1-17 | 3 | 219400-001 | 9-4 | | 224589-001 | 3-3 | 2 | 227241-031 | 8-2 | 10 | 230765-001 |
| 8-3 | 11 | 219403-001 | 9-4 | 10 | 224589-003 | 3-3 | 3 | 227241-033 | 2-19 | 2 | 900034-001 |
| 1-7 | 14 | 219405-001 | 9-4 | 11 | 224589-005 | 3-3 | 3 | 227241-035 | 1-8 | 11 | 900035-005 |
| 1-19 | 4 | 219412-001 | 9-4 | 12 | 224589-007 | 3-3 | 4 | 227241-037 | 6-2 | 11 | 900035-005 |
| 1-19 | 2 | 219413-001 | 9-4 | 5 | 224589-009 | 3-3 | 5 | 227241-039 | 2-17 | 7 | 900035-005 |
| 4-4 | 22 | 219436-001 | 9-4 | | 224589-011 | 3-3 | 5 | 227241-041 | 2-16 | 6 | 900036-001 |
| 1-8 | 16 | 219439-001 | 2-13 | 1 | 224591-001 | 3-3 | 6 | 227241-043 | 2-3 | 6 | 900041-001 |
| 3-1 | 33 | 219444-001 | 2-33 | | 224591-001 | 3-3 | 6 | 227241-045 | 2-3 | 1 | 900042-001 |
| 1-14 | 4 | 219467-001 | 2-13 | 13 | 224918-001 | 3-3 | 8 | 227241-047 | 9-2 | 3 | 900607-001 |
| 1-14 | 6 | 219468-001 | 8-2 | 14 | 224920-001 | 3-3 | 8 | 227241-049 | 9-5 | | 900607-001 |
| 4-1 | 13 | 219470-001 | 6-3 | 4 | 224979-001 | 3-3 | 8 | 227241-051 | 2-21 | 2 | 901057-003 |
| 1-11 | 11 | 220307-001 | 6-3 | 4 | 224990-001 | 3-5 | 2 | 227243-001 | 2-25 | | 901057-003 |
| 1-10 | 7 | 220692-001 | 6-3 | 4 | 224991-001 | 3-5 | 3 | 227243-003 | 2-13 | 16 | 901406-001 |
| 1-10 | 8 | 220693-001 | 9-1 | 11 | 225016-001 | 3-5 | 15 | 227243-005 | 8-6 | 1 | 901750-001 |
| 1-16 | 2 | 220710-001 | 9-1 | 15 | 225018-001 | 3-2 | 2 | 227244-001 | 8-10 | | 901750-001 |
| 1-17 | 10 | 220750-001 | 9-1 | 16 | 225019-001 | 2-6 | 2 | 227246-001 | 8-10 | 1 | 901750-003 |
| 8-2 | 15 | 220793-001 | 9-1 | 22 | 225038-001 | 2-29 | | 227246-001 | 8-10 | 5 | 901750-005 |
| 8-2 | 16 | 220794-001 | 2-18 | 4 | 225983-001 | 2-29 | 1 | 227246-003 | 8-10 | | 901750-007 |
| 8-2 | 22 | 220808-001 | 9-2 | 1 | 226066-001 | 2-29 | 2 | 227246-005 | 4-1 | 14 | 902402-001 |
| 1-12 | 2 | 220904-001 | 9-2 | 2 | 226067-001 | 2-29 | 2 | 227246-007 | 2-3 | 9 | 902424-036 |
| 1-11 | 2 | 220904-003 | 1-17 | 11 | 226129-001 | 2-29 | 4 | 227246-007 | 2-10 | 9 | 902424-036 |
| 3-1 | 23 | 220912-001 | 1-17 | 13 | 226141-001 | 2-29 | 3 | 227246-009 | 8-5 | 4 | 902445-001 |
| 7-1 | 5 | 220976-001 | 3-6 | 3 | 227000-001 | 2-29 | 3 | 227246-011 | 8-6 | 3 | 902445-001 |
| 2-14 | 17 | 220977-001 | 3-6 | 6 | 227019-001 | 2-29 | | 4 | 1-18 | 5 | 903186-001 |
| 2-14 | 8 | 220979-001 | 3-1 | 12 | 227022-001 | 27246-013 | | | 7-1 | 11 | 903837-001 |
| 9-1 | 31 | 220992-001 | 3-9 | 2 | 227023-001 | 2-7 | 2 | 227247-001 | 7-1 | 10 | 903862-001 |
| 9-1 | 28 | 220993-001 | 3-1 | 28 | 227034-001 | 2-30 | | 227247-001 | 4-1 | 6 | 904346-001 |
| 9-1 | 23 | 220998-001 | 3-1 | 9 | 227036-001 | 2-4 | 5 | 229251-001 | 6-2 | 2 | 904347-001 |
| 9-1 | 29 | 220999-001 | 3-1 | 6 | 227037-001 | 2-21 | | 229251-001 | 6-2 | 13 | 904355-001 |
| 8-6 | 7 | 221503-001 | 1-7 | 6 | 227044-003 | 2-21 | 19 | 229251-003 | 4-1 | 11 | 904423-001 |
| 9-1 | 1 | 221503-001 | 1-7 | 12 | 227052-001 | 2-21 | 20 | 229251-005 | 1-10 | 5 | 904508-001 |
| 9-2 | 9 | 221503-001 | 3-1 | 3 | 227145-001 | 2-21 | 21 | 229251-007 | 2-29 | 5 | 904525-003 |
| 8-6 | 12 | 221504-001 | 4-4 | 2 | 227147-001 | 2-21 | 22 | 229251-009 | 7-3 | 5 | 904531-001 |
| 9-1 | 2 | 221504-001 | 1-2 | 15 | 227231-001 | 1-3 | 1 | 229254-003 | 7-6 | 29 | 904540-041 |
| 9-2 | 14 | 221504-001 | 7-2 | 30 | 227234-001 | 1-2 | 1 | 229255-001 | 6-3 | 1 | 904541-001 |
| 5-2 | | 221640-001 | 7-2 | 24 | 227235-001 | 4-3 | 9 | 229256-001 | 6-1 | 1 | 904546-001 |
| 5-2 | 7 | 221640-003 | 7-2 | 25 | 227236-001 | 1-16 | 3 | 229261-001 | 7-3 | 3 | 904576-001 |
| 5-2 | 8 | 221640-005 | 3-8 | 4 | 227237-001 | 1-16 | 9 | 229262-001 | 7-3 | 2 | 904577-001 |
| 5-1 | 6 | 221643-001 | 2-10 | 5 | 227238-001 | 2-3 | 2 | 229267-001 | 7-3 | 1 | 904578-001 |
| 5-2 | 6 | 221643-001 | 2-31 | | 227238-001 | 3-9 | 12 | 229271-001 | 1-9 | 5 | 904672-001 |
| 5-1 | | 221662-001 | 2-31 | 1 | 227238-003 | 3-9 | 10 | 229272-001 | 1-9 | 6 | 904673-001 |
| 5-2 | | 221663-001 | 2-31 | 2 | 227238-005 | 1-9 | 20 | 229274-001 | 1-9 | 18 | 904674-001 |
| 5-2 | | 221664-001 | 2-31 | 3 | 227238-007 | 4-4 | 11 | 229275-001 | 1-9 | 17 | 904675-001 |
| 5-1 | 6 | 221806-001 | 2-31 | 4 | 227238-009 | 1-7 | 11 | 229276-001 | 8-6 | 11 | 904693-001 |
| 5-2 | 6 | 221806-001 | 2-31 | 5 | 227238-011 | 1-16 | 6 | 229278-001 | 6-1 | 3 | 904731-001 |
| 8-2 | 2 | 222252-001 | 2-31 | 6 | 227238-013 | 1-2 | 16 | 229281-001 | 3-1 | 19 | 904760-001 |
| 9-1 | 9 | 222261-001 | 2-31 | 7 | 227238-015 | 3-1 | 14 | 229282-001 | 5-3 | 7 | 904781-001 |
| 9-1 | 14 | 222262-001 | 2-31 | 8 | 227238-017 | 6-1 | 2 | 229285-001 | 2-3 | 7 | 904819-001 |
| 9-1 | 13 | 222265-001 | 2-31 | 9 | 227238-019 | 7-2 | 31 | 229286-001 | 7-3 | | 904829-001 |
| 8-2 | 2 | 222281-001 | 2-31 | 10 | 227238-021 | 1-16 | 11 | 229290-001 | 7-4 | 1 | 904882-001 |
| 8-2 | 3 | 222281-001 | 2-31 | 11 | 227238-023 | 3-6 | 2 | 229291-001 | 4-1 | 6 | 904995-001 |
| 1-2 | 11 | 222313-001 | 2-31 | 12 | 227238-025 | 1-1 | | 229304-001 | 4-1 | 6 | 905001-001 |
| 1-2 | 3 | 222314-001 | 2-31 | 13 | 227238-027 | 3-5 | 11 | 229306-001 | 1-10 | 4 | 905011-001 |
| 1-9 | 2 | 222406-001 | 2-31 | | 227238-029 | 3-5 | 9 | 229321-001 | 1-10 | 4 | 905012-001 |
| 1-9 | 19 | 222407-001 | 3-4 | 4 | 227239-001 | 3-5 | 5 | 229322-001 | 7-4 | 2 | 905216-001 |
| 9-1 | 7 | 223868-001 | 2-10 | 6 | 227239-001 | 3-5 | 4 | 229323-001 | 4-2 | 1 | 905225-001 |
| 9-3 | | 223868-001 | 3-2 | 1 | 227241-003 | 3-8 | 2 | 229324-001 | 4-4 | 16 | 905225-001 |
| 9-3 | 7 | 223868-003 | 3-2 | 3 | 227241-005 | 2-9 | 1 | 229328-001 | 4-5 | 14 | 905225-001 |
| 9-4 | 2 | 223998-003 | 3-2 | 6 | 227241-007 | 2-28 | | 229328-001 | 9-1 | 27 | 905341-001 |

(PAGE 6) D7/11 NAVIGATOR INDEX

| <u>FIG. NO.</u> | | <u>PART NO.</u> |
|-----------------|----|-----------------|
| 7-1 | 3 | 905429-003 |
| 7-2 | 14 | 905429-003 |
| 7-2 | 12 | 905431-001 |
| 7-2 | 11 | 905432-001 |
| 7-2 | 9 | 905434-001 |
| 1-9 | 25 | 905444-001 |
| 7-2 | 33 | 905444-001 |
| 8-2 | 7 | 905500-001 |
| 8-4 | 1 | 905513-001 |
| 8-8 | | 905513-001 |
| 8-8 | 1 | 905513-003 |
| 8-8 | 13 | 905513-005 |

